

# Flex Bed

## Assembly | User Guide

# K I N G

**Important: If you are assembling an Evo Bed, DO NOT use the Flex Bed assembly instructions.**  
Due to shared components between the Evo Bed and Flex Bed ranges, some packaging may be labelled Flex Bed. All assembly manuals are available at [kingliving.com](http://kingliving.com)

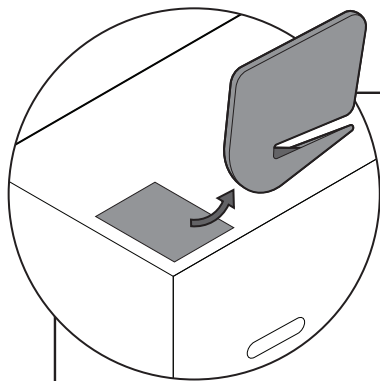


Two people recommended for safe assembly.

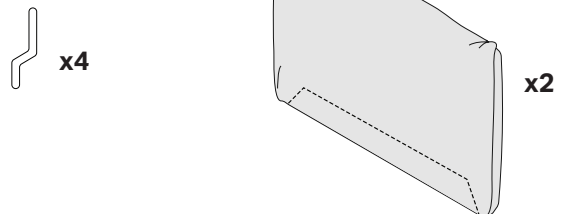
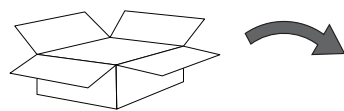
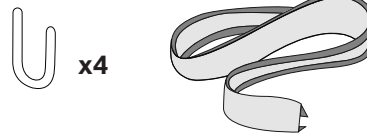
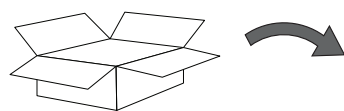
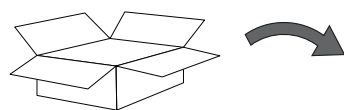
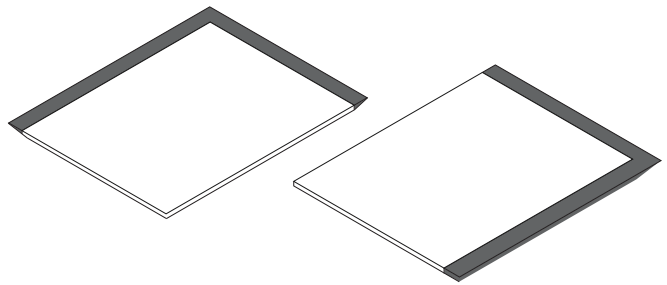
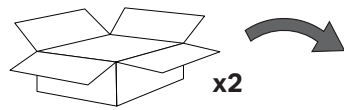
To avoid damage, **DO NOT** use a knife or scissors to open the packaging.

Use the cutting tool provided to safely open the box and compression bag inside.

Please follow the step-by-step instructions below:



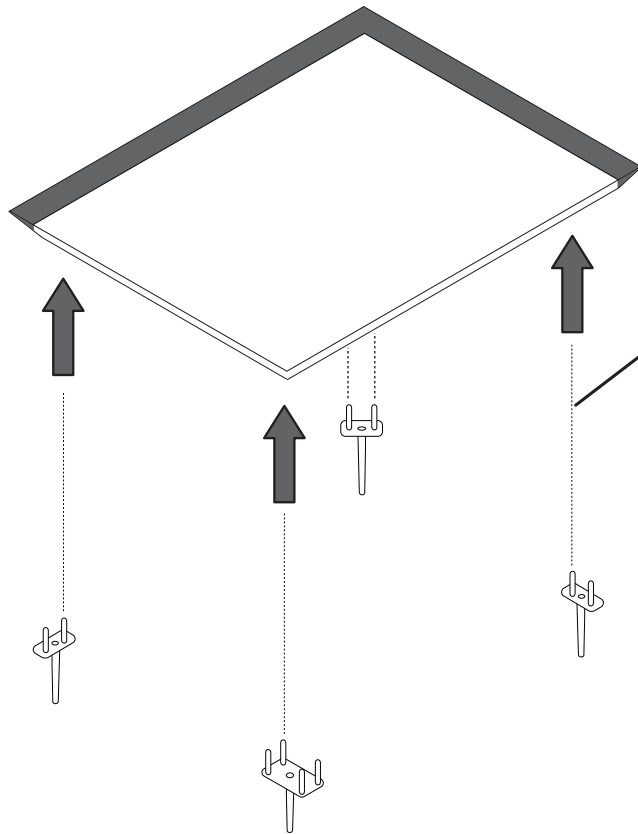
Cutting Tool  
Included



2



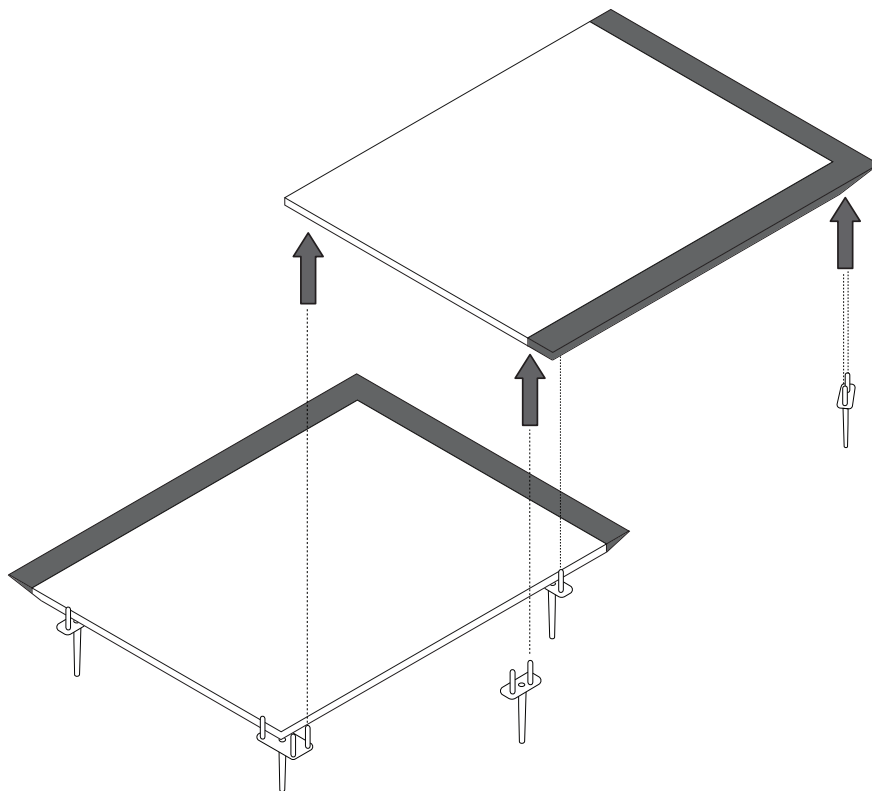
x3



3

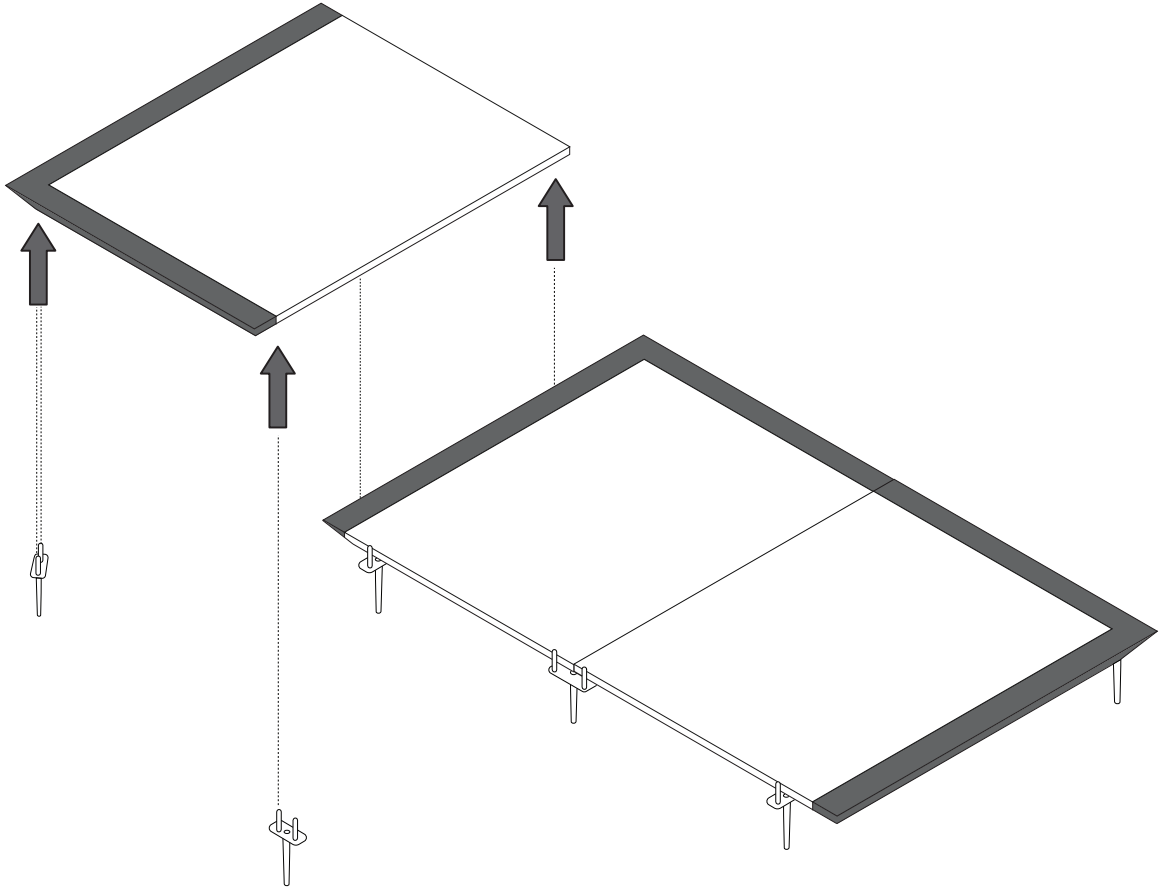


x2



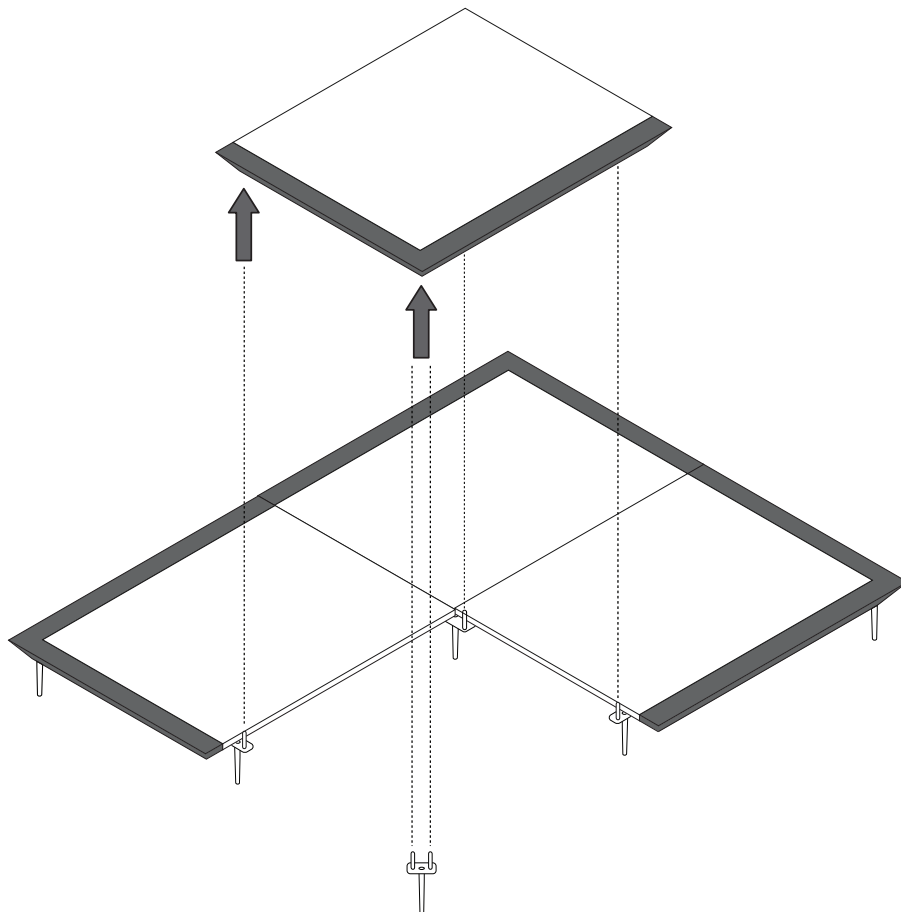
4

 x2

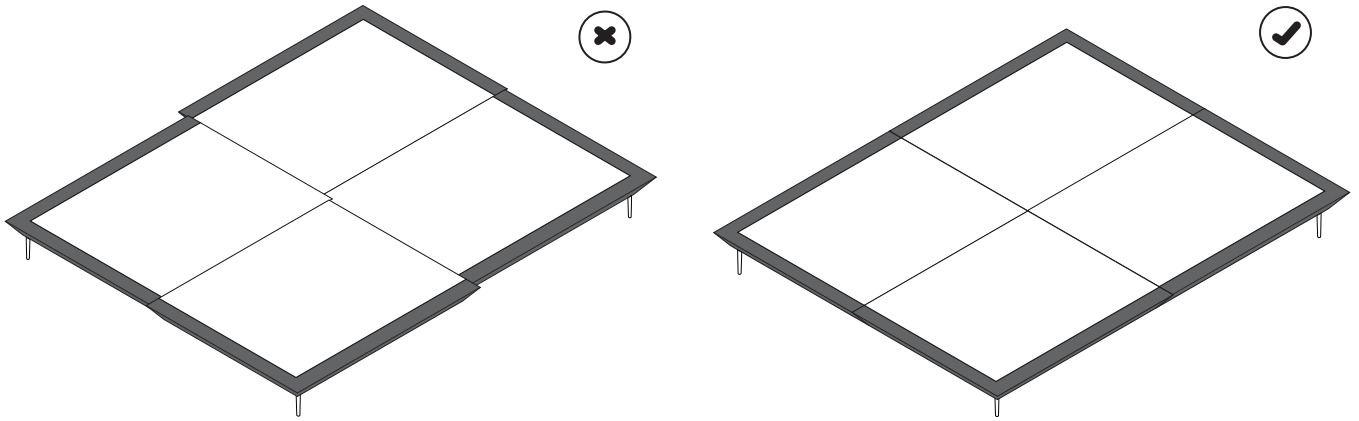


5


 x1

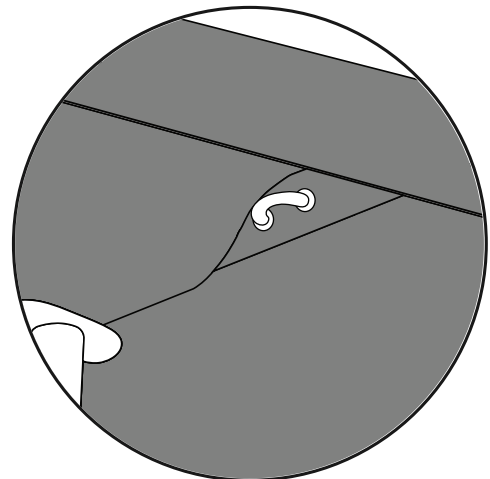
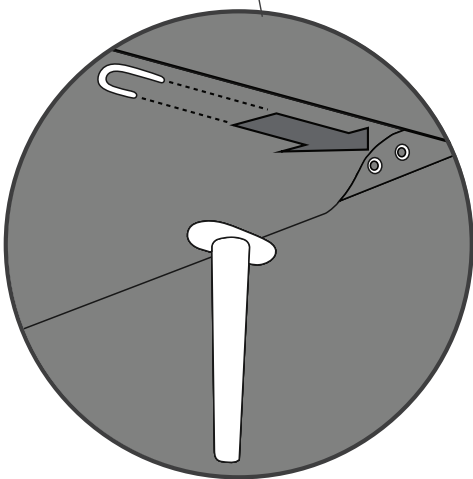
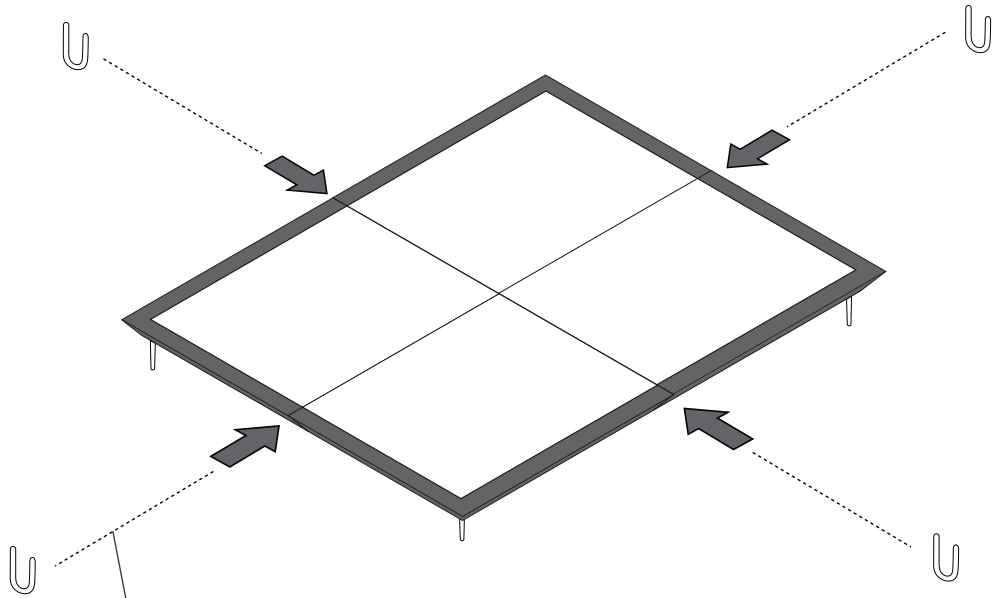


6

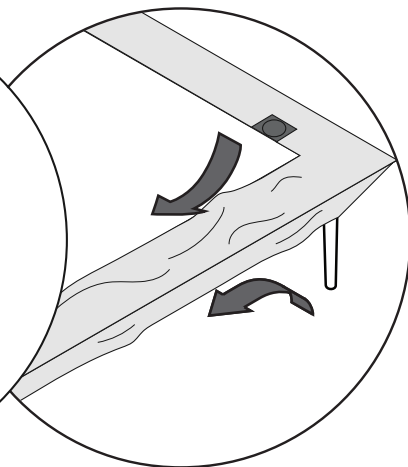
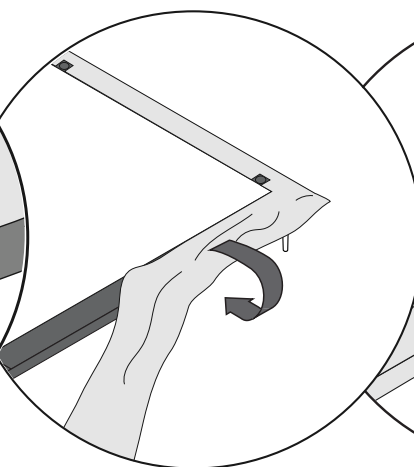
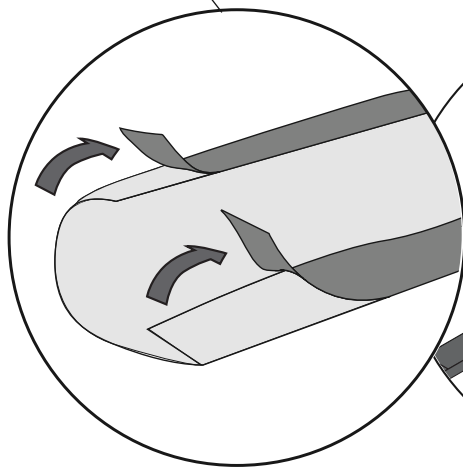
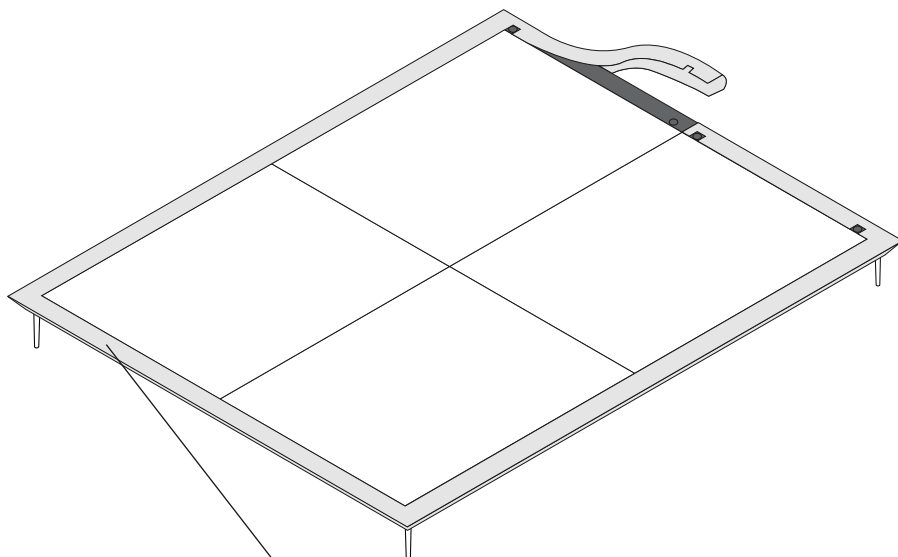


7

 x4



8



9



x4

