

# Evo Bed

## Assembly | User Guide

# K I N G

**Important:** If you are assembling an Evo Bed, **DO NOT** use the Flex Bed assembly instructions. Due to shared components between the Evo Bed and Flex Bed ranges, some packaging may be labelled Flex Bed. All assembly manuals are available at [kingliving.com](http://kingliving.com)

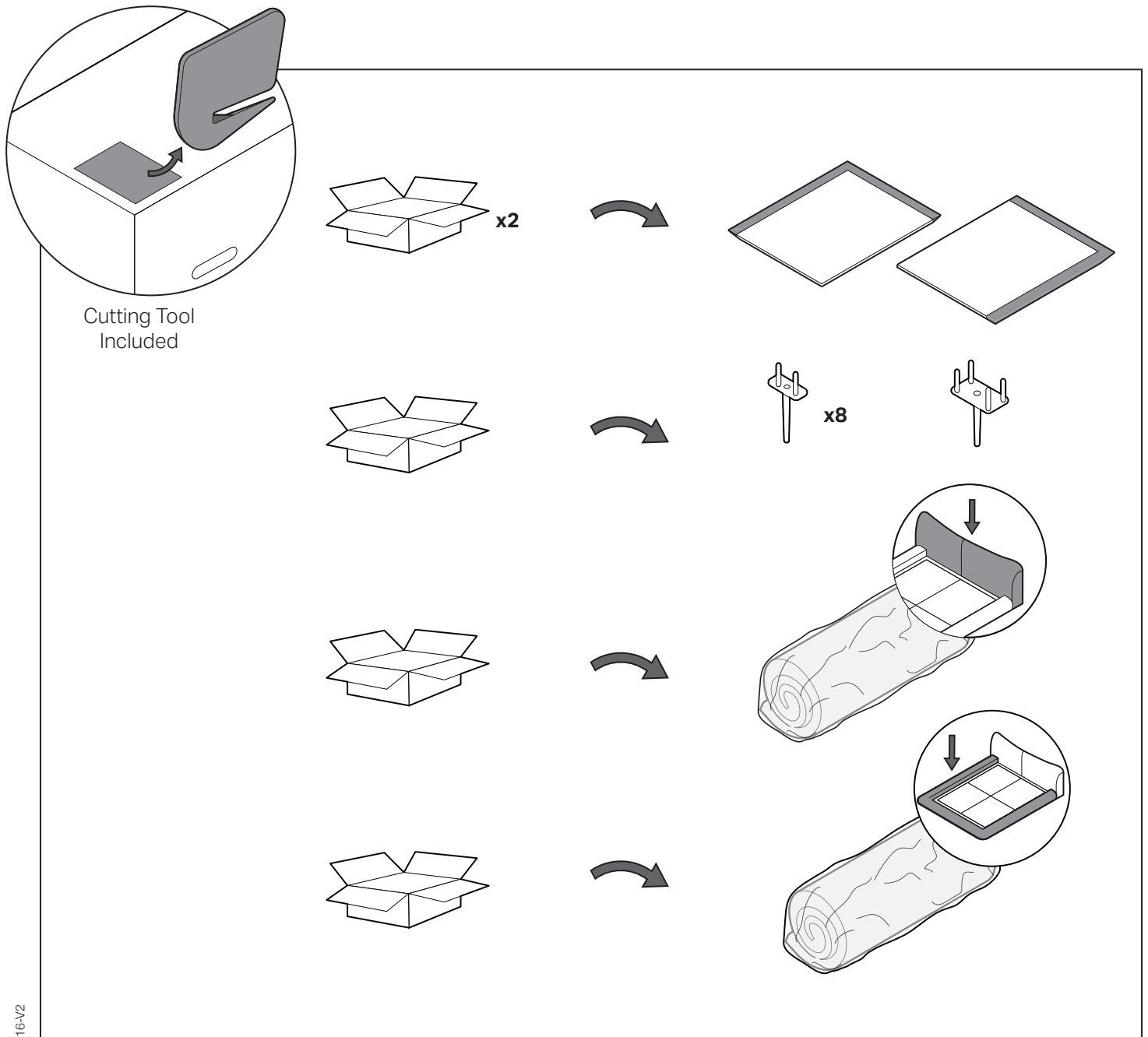


Two people recommended for safe assembly.

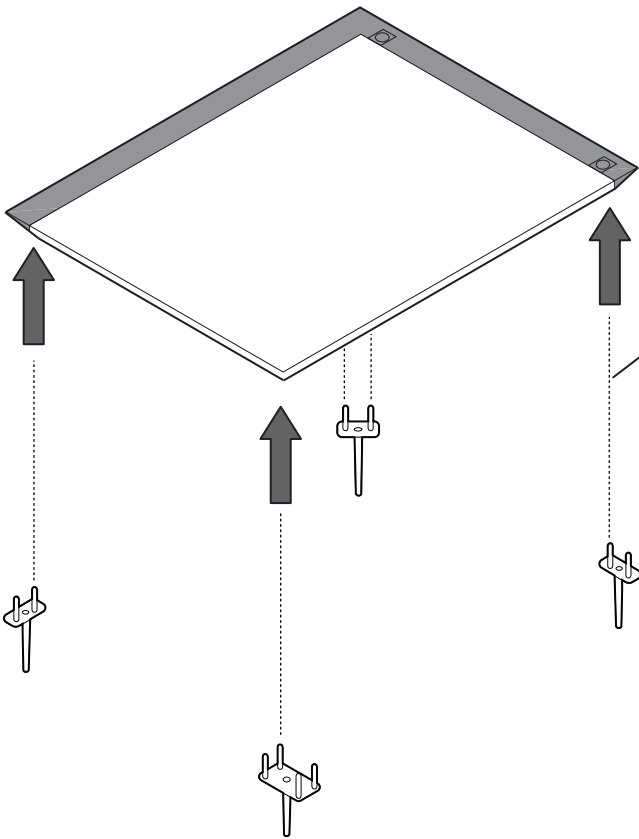
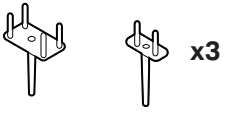
To avoid damage, **DO NOT** use a knife or scissors to open the packaging.

Use the cutting tool provided to safely open the box and compression bag inside.

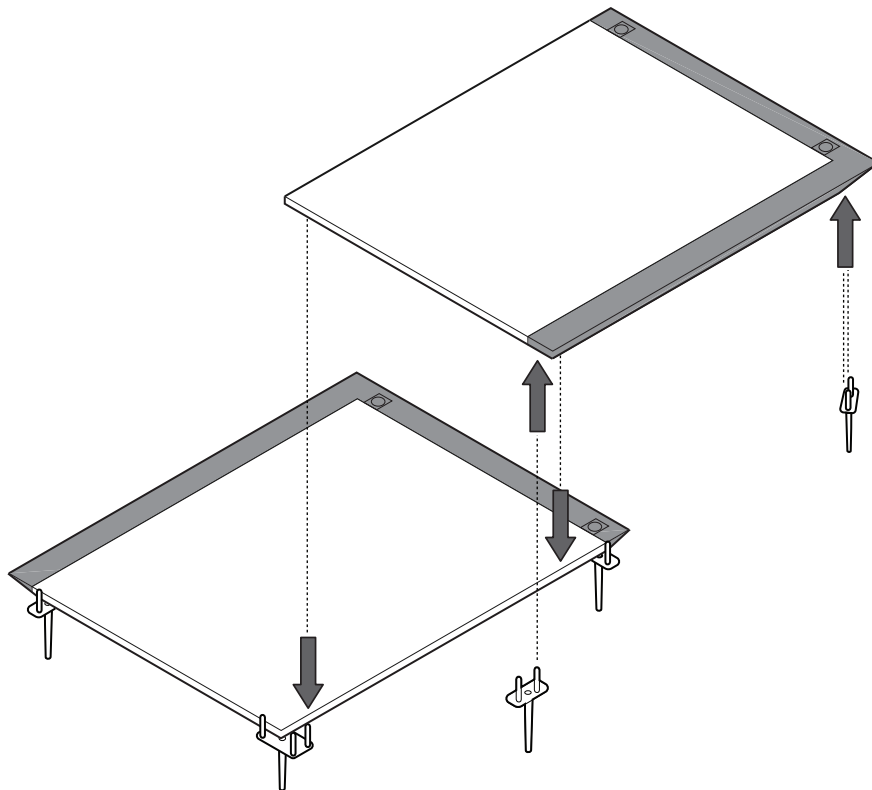
Please follow the step-by-step instructions below:



1

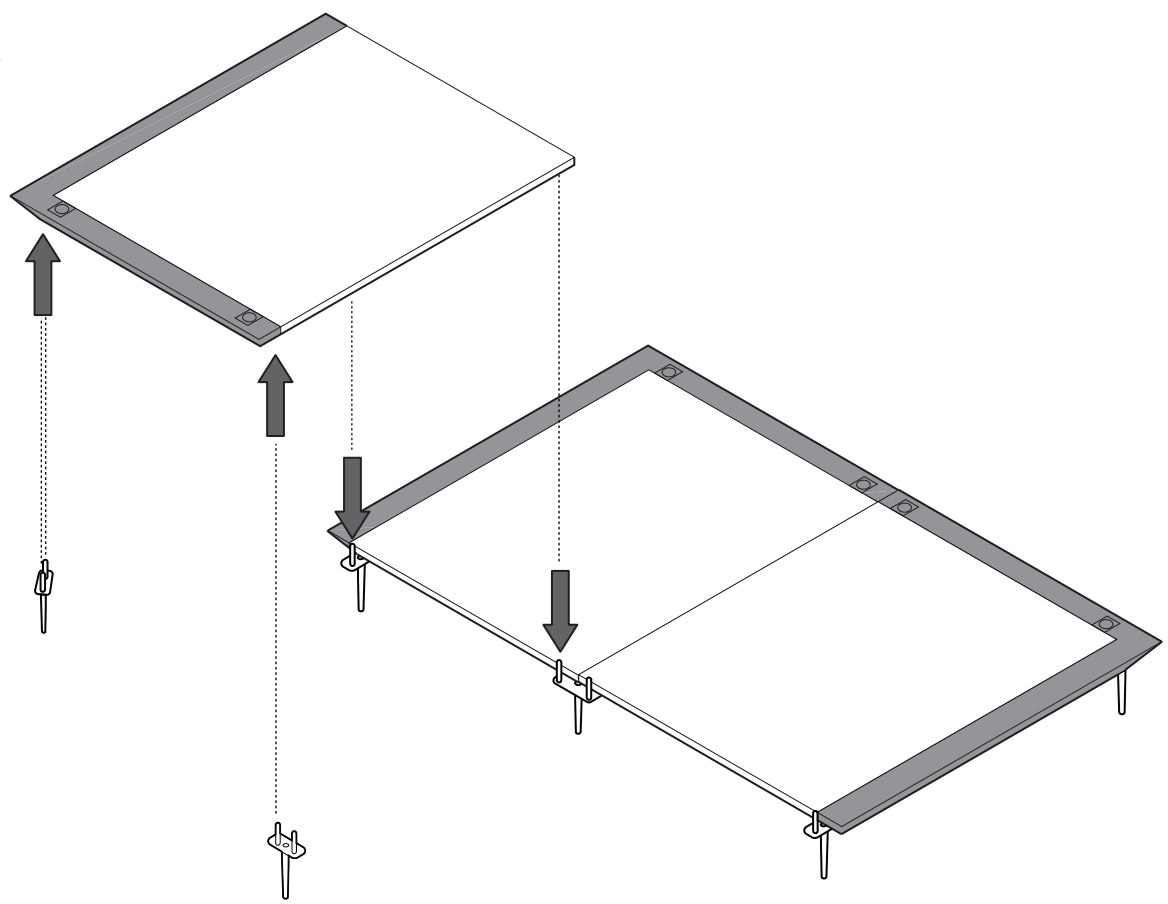


2




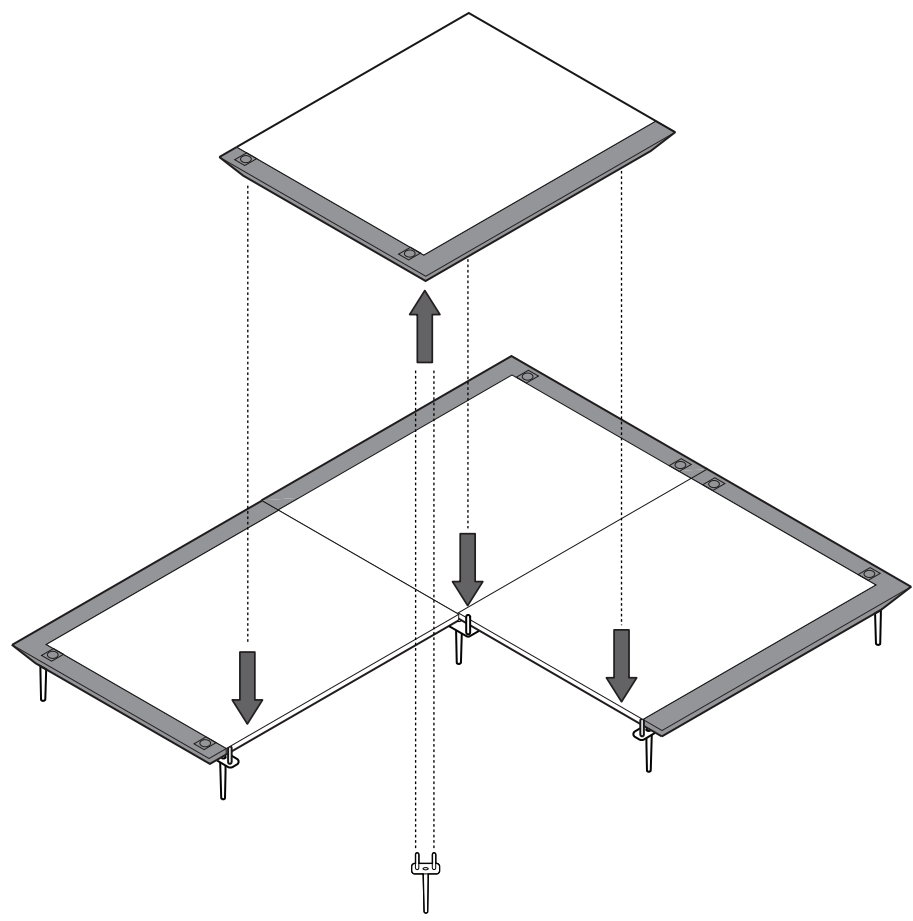
3

 x2

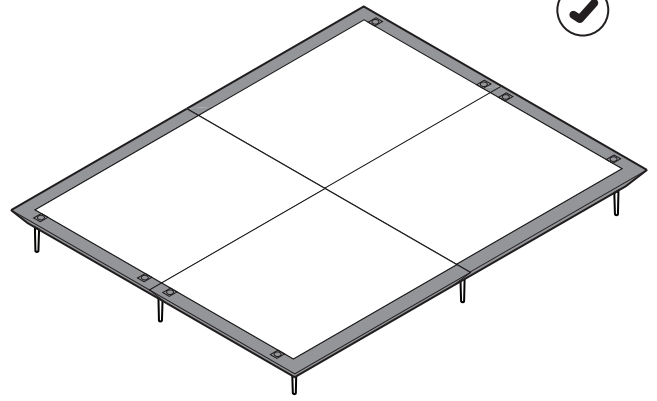
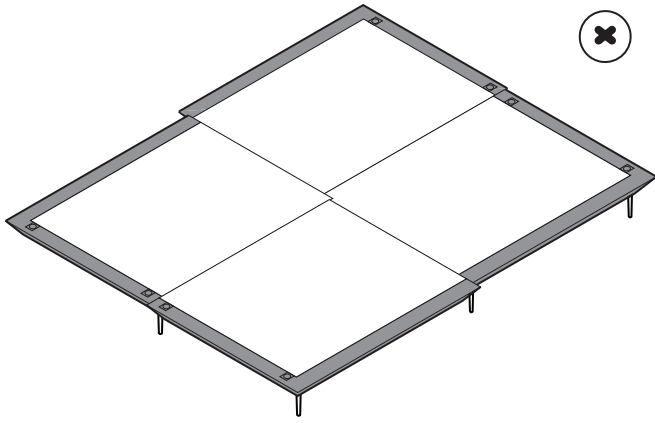


4

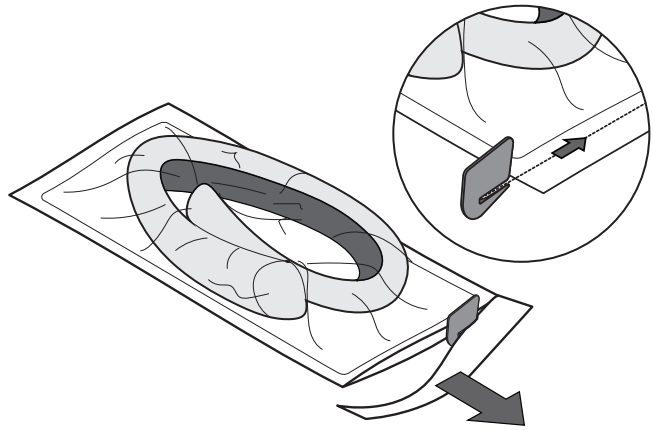
 x1



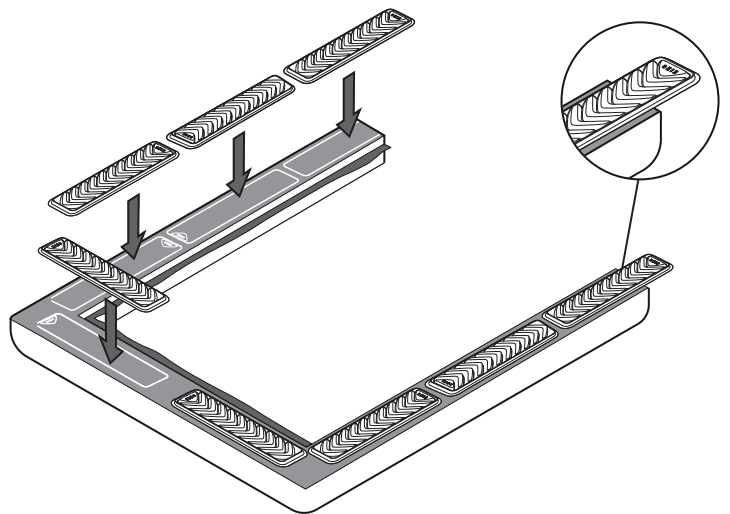
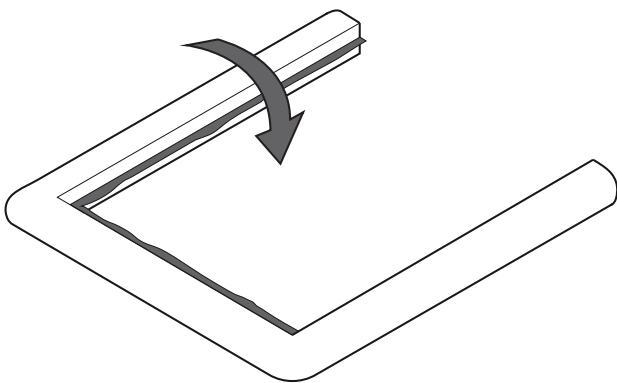
5



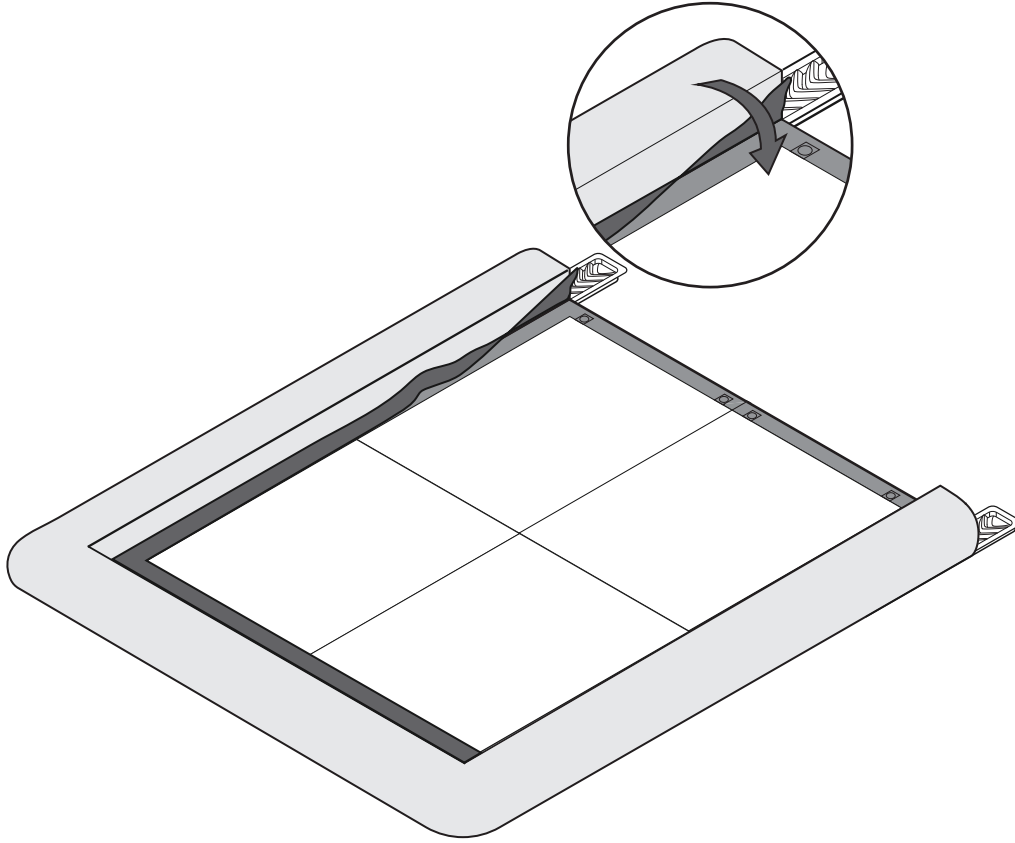
6



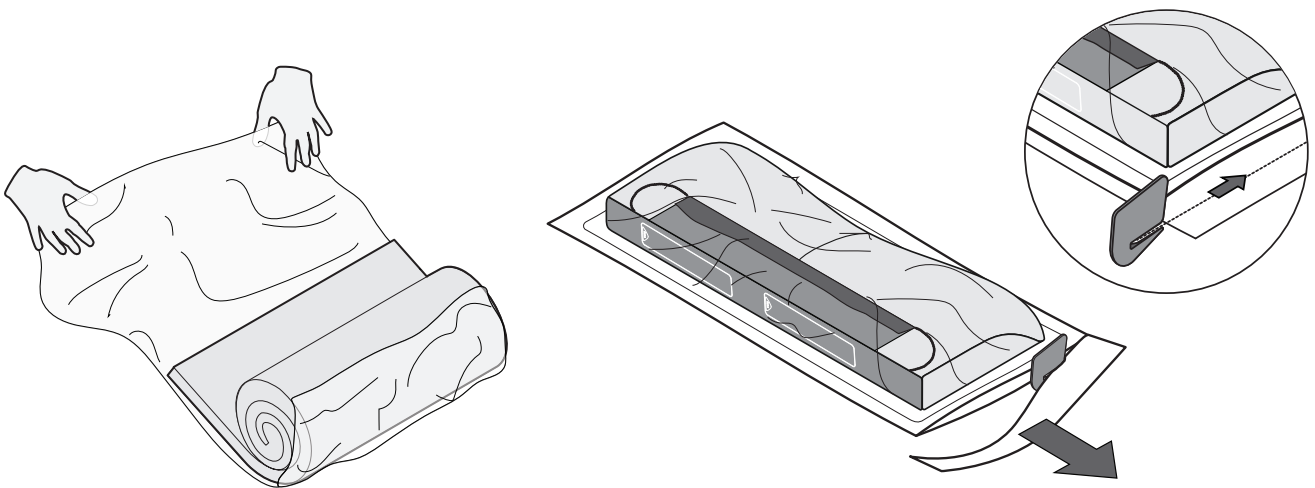
7



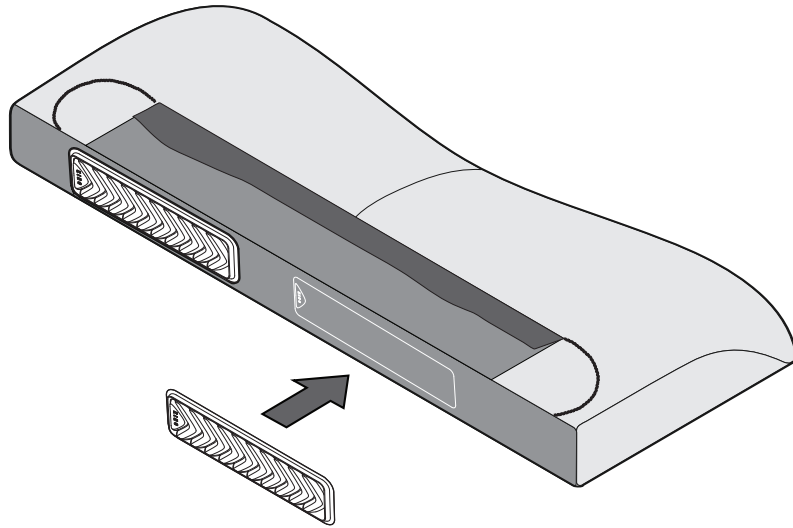
8



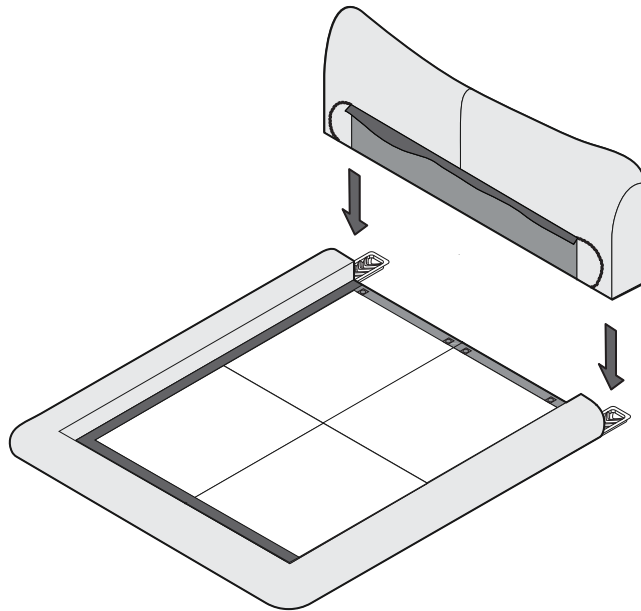
9



10



11



12

