

Zaza

Assembly Instructions

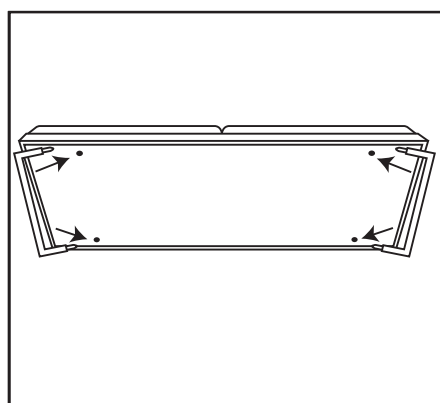


Two people are required for safe assembly.

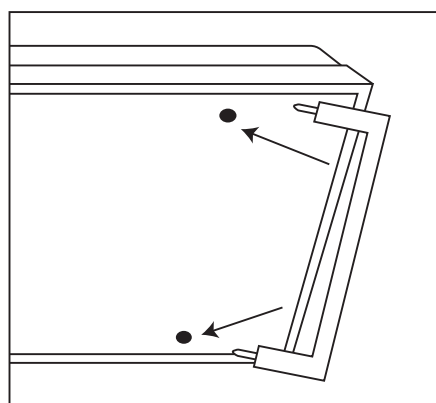
Opening Boxes

DO NOT use a knife to open the King Living boxes - you may damage your furniture. Peel off the tape, then lift & separate the cardboard flaps to open.

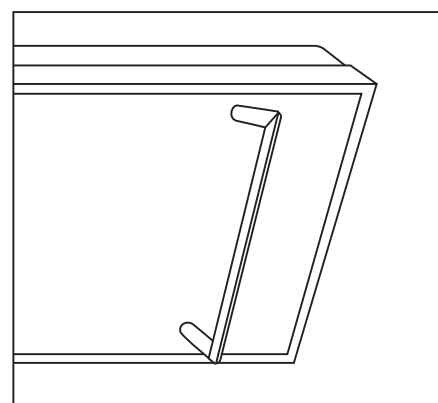
Assembly your furniture by following the steps below.



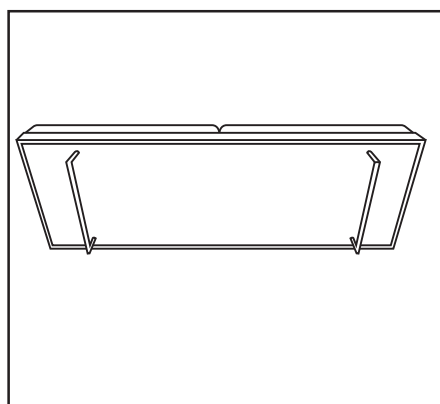
1.



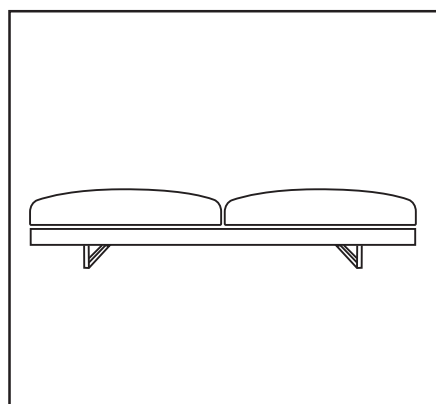
2.



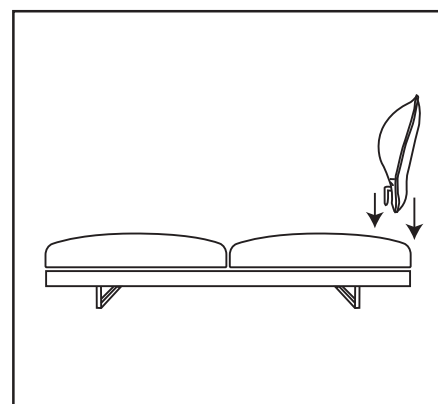
3.



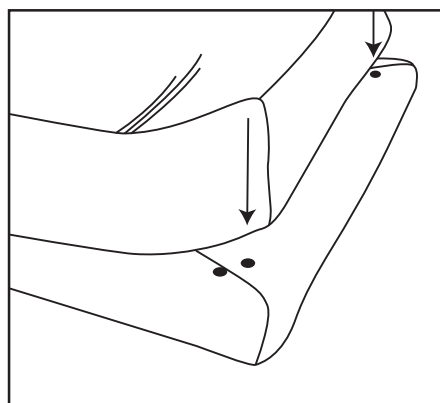
4.



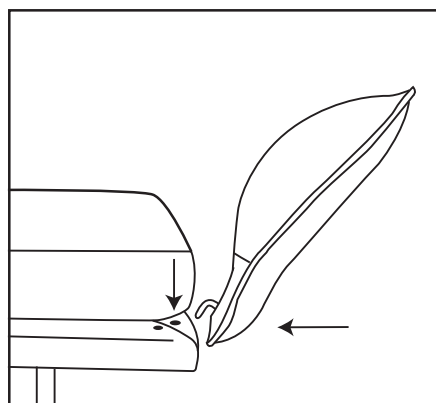
5.



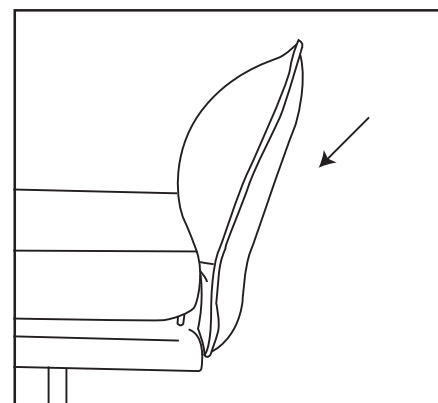
6.



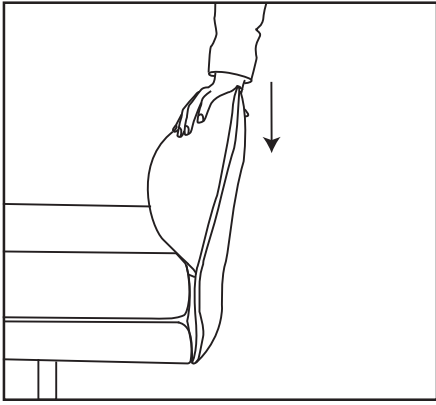
7.



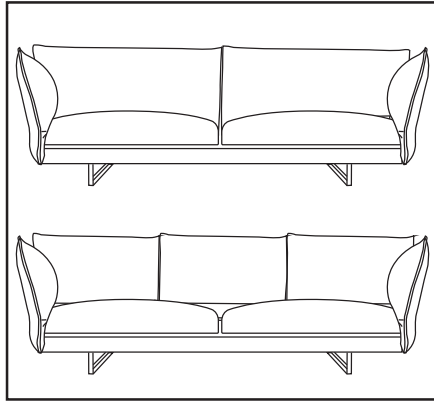
8.



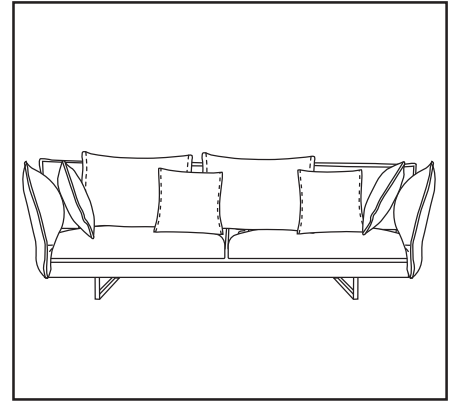
9.



10.

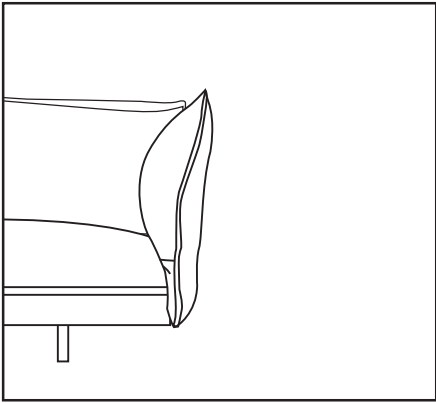


11.

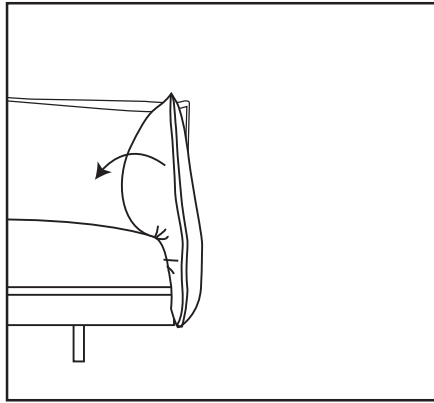


12.

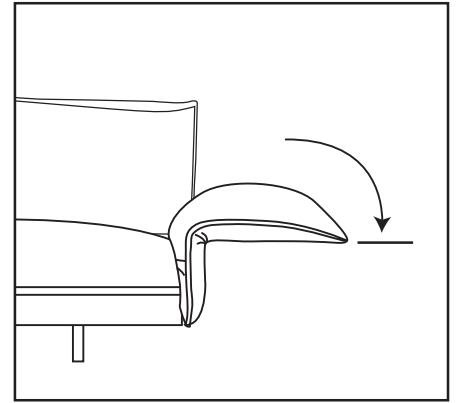
Operating Instructions



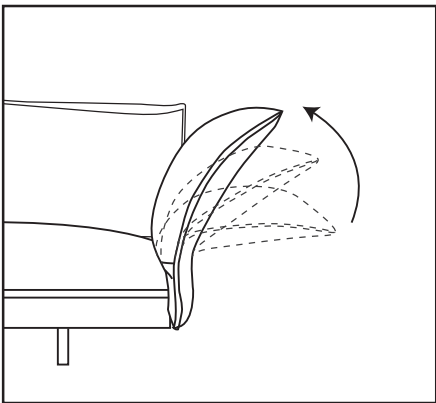
1.



2.



3.



4.

**KING LIVING
CUSTOMER CARE:**

AUSTRALIA:
T 1300 135 464
E service@kingliving.com.au
W kingliving.com.au

NEW ZEALAND:
T 0800 546 422
E service@kingliving.co.nz
W kingliving.co.nz

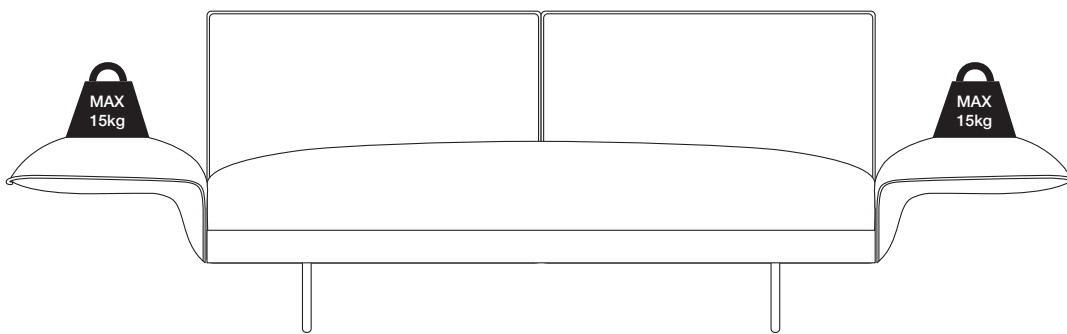
SINGAPORE:
T +65 6805 4198
E kingcare@kingliving.com.sg
W kingliving.com.sg

MALAYSIA:
T +603 7732 0272
E service@kingliving.my
W kingliving.my

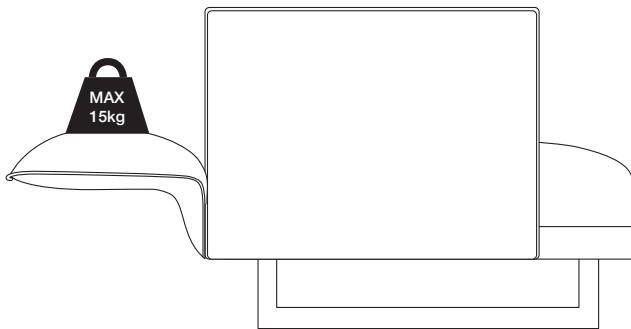
Warning

Important:
Read the below instructions carefully before
assembling and using this product.

Weight Restriction



Front View



Side View

IMPORTANT:
Do NOT sit on Arms or Backs.
MAXIMUM LOAD 15KG.

For service issues, help or further information please contact
1300KINGCARE or kingcare@kingliving.com.au

