

Reo

Assembly Instructions

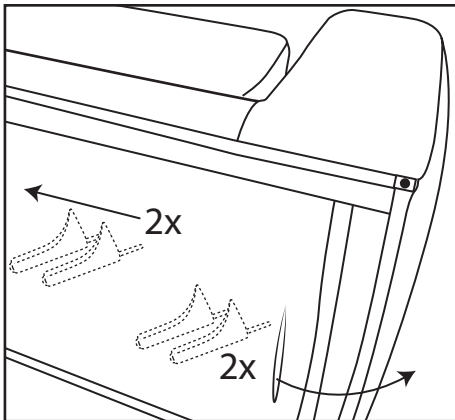
KING[®]
L I V I N G

Two people are required for safe assembly.

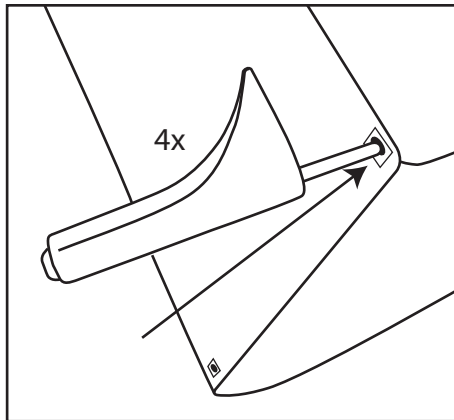
Opening Boxes

DO NOT use a knife to open the King Living boxes - you may damage your furniture. Peel off the tape, then lift & separate the cardboard flaps to open.

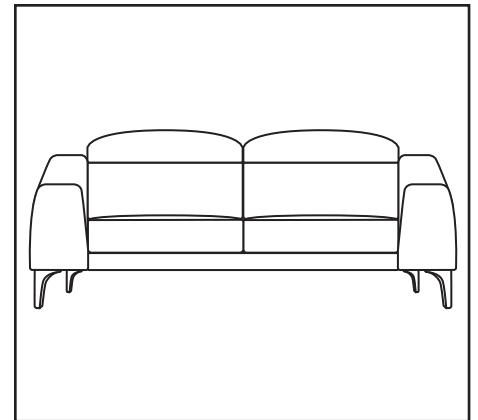
Assemble your furniture by following the steps below.



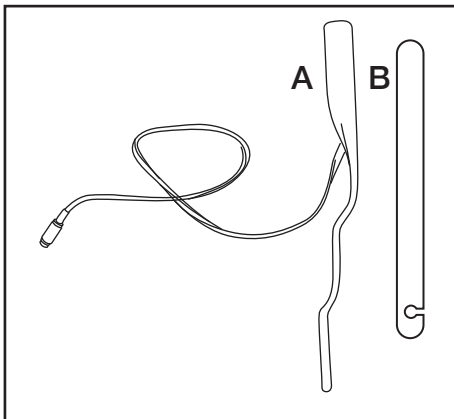
1. Tilt the Reo over so it's resting on its rear or front. Reo's legs are contained inside the two zipped pockets located underneath at each end.



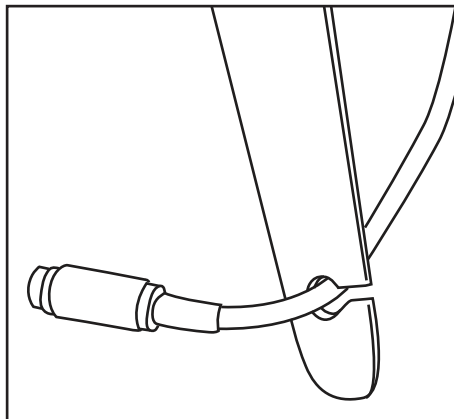
2. Remove the legs from the pockets and insert them by pushing the leg pins all the way into the spigot holes located in the corners.



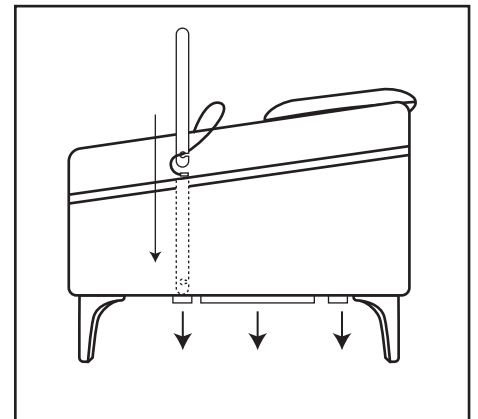
3. Carefully tilt the Reo back to the upright position. Reo assembly complete.



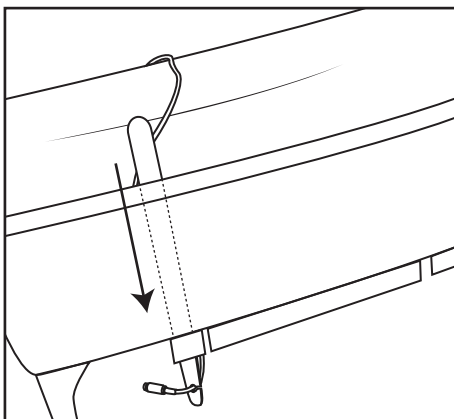
4. Smart Pocket Accessories (Optional):
A. SMART Pocket™ Table Bracket.
B. King Cable Guide.



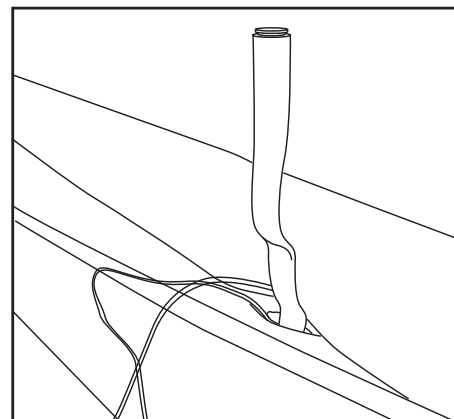
5. Insert the end of the Cable into the King Cable Guide as shown.



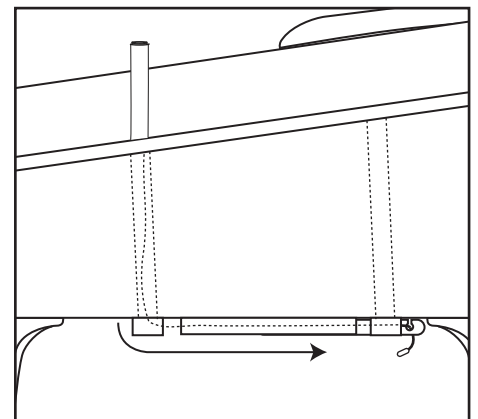
6. Open the Velcro strips underneath the arms then insert the guide and cable into the vertical pocket channel and slide downward.



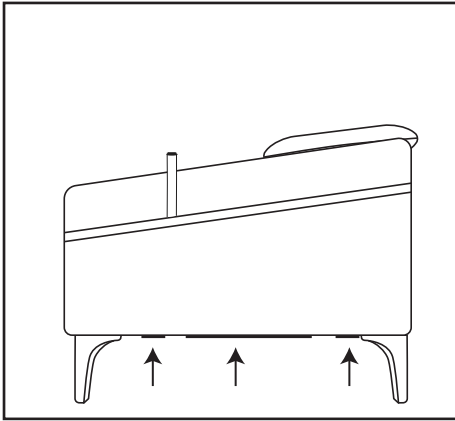
7. Slide guide and cable all the way down and out through the bottom opening of the pocket channel.



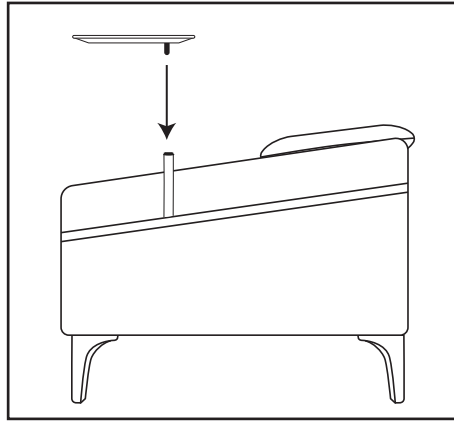
7. Pull any loose cable down (carefully from the bottom) so the cable is concealed within the pocket channel.



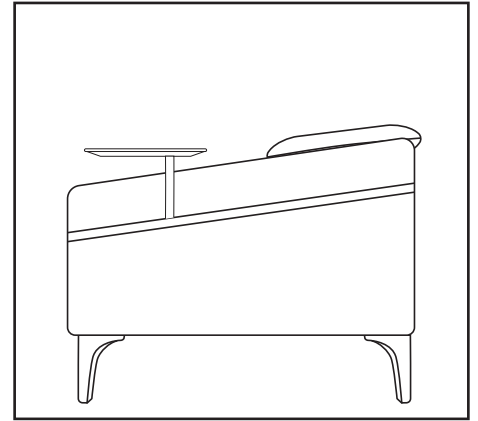
8. Slide the guide and excess cable through the horizontally channel towards the back of the Reo and all the way through. Remove cable guide.



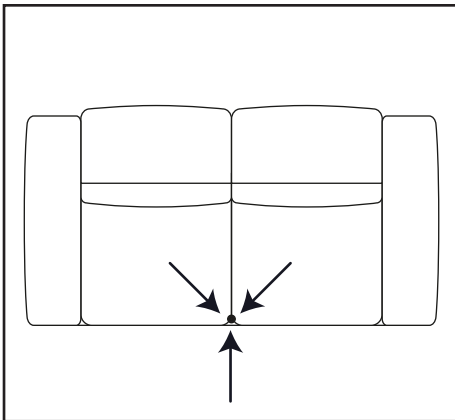
9. Close the Velcro strips to secure & conceal the cable neatly. Bracket assembly complete. Cable is ready to be connected.



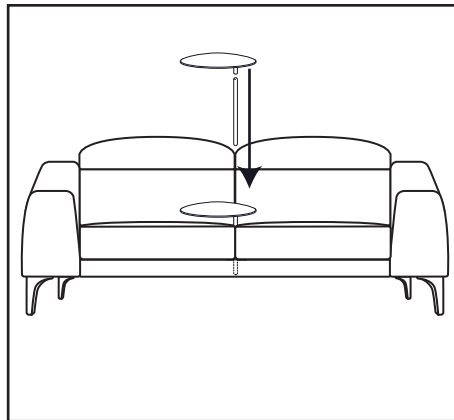
10. SMART Pocket™ Table Assembly. Line up the table connector to the bracket to join together.



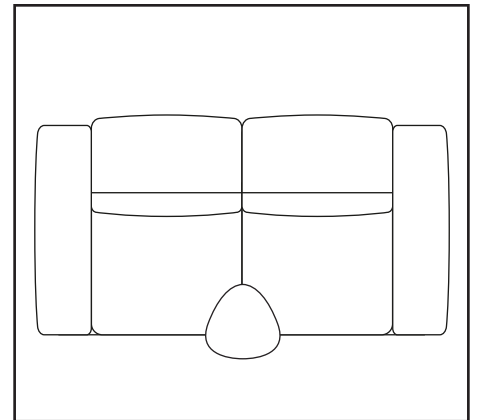
11. Ensure table is securely pushed into the bracket. SMART Pockket™ Table assembly complete.



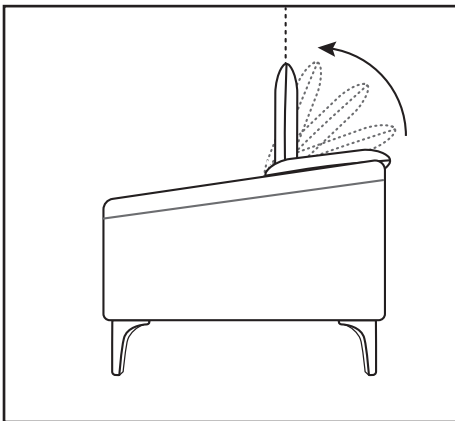
12. Platform Table Assembly: spigot holes are located on the platform between the seat cushions.



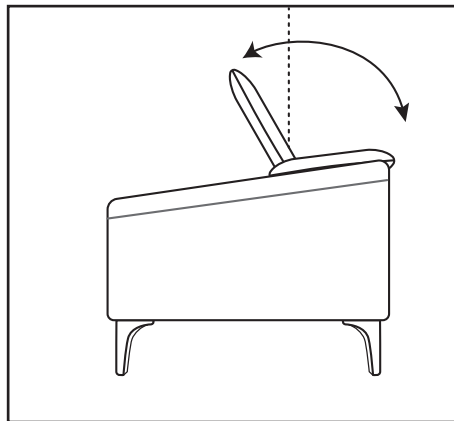
13. Insert the steel pin into the spigot hole. Then connect the table to the steel pin making sure it is securely pushed in.



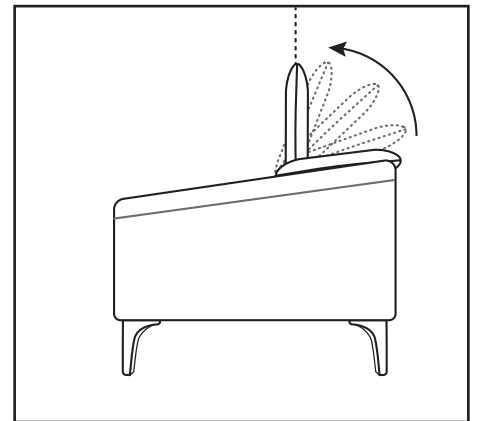
14. Reo Platform Table assembly complete.



15. The headrest has 15 settings. With headrest in the start position (down) you can lift the headrest up to your desired level. The headrest will click as it enters each new level.



16. To reset headrest to the start position, push headrest past the furthest upright position and then return headrest to the start position (down).



17. With headrest back in the start position (down) you can then lift the headrest up to your desired level.

**KING LIVING
CUSTOMER CARE:**

AUSTRALIA:
T 1300 135 464
E service@kingliving.com.au
W kingliving.com.au

NEW ZEALAND:
T 0800 546 422
E service@kingliving.co.nz
W kingliving.co.nz

SINGAPORE:
T +65 6805 4198
E kingcare@kingliving.com.sg
W kingliving.com.sg

MALAYSIA:
T +603 7732 0272
E service@kingliving.my
W kingliving.my