

Jasper Occasional Table

Assembly Instructions

KING[®]
L I V I N G

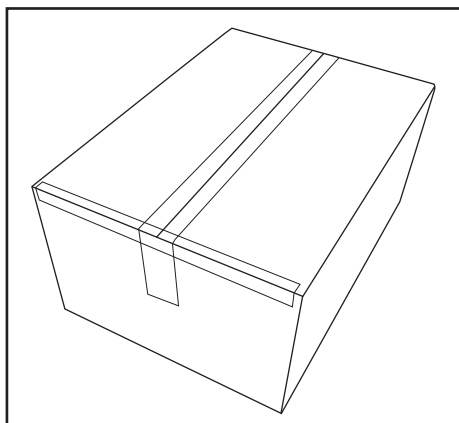
Two people are required for safe assembly.

Opening Boxes

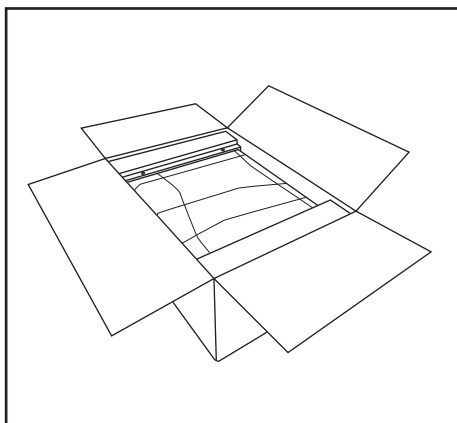
DO NOT use a knife to open the King Living boxes as you may damage your furniture.

Peel off the tape, then lift & separate the cardboard flaps to open.

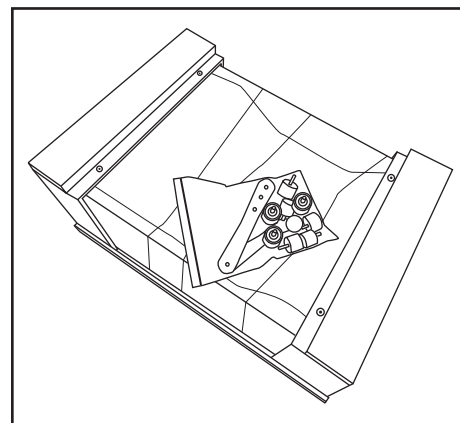
Assemble your furniture by following the steps below.



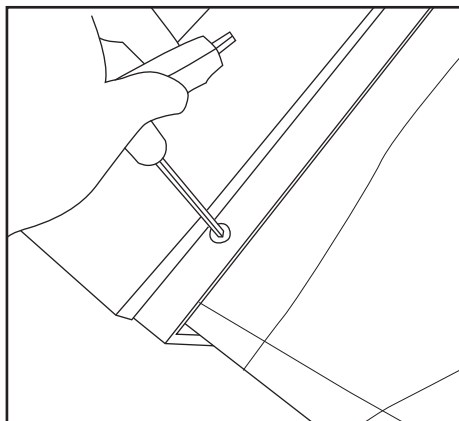
1



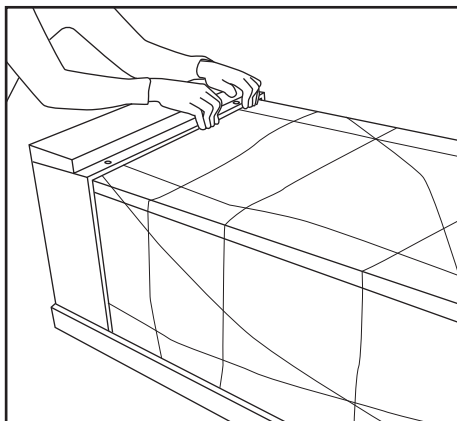
2



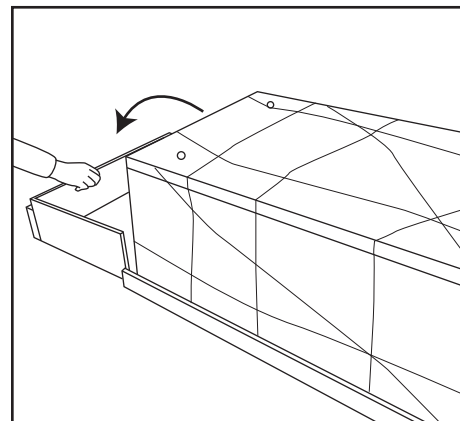
3



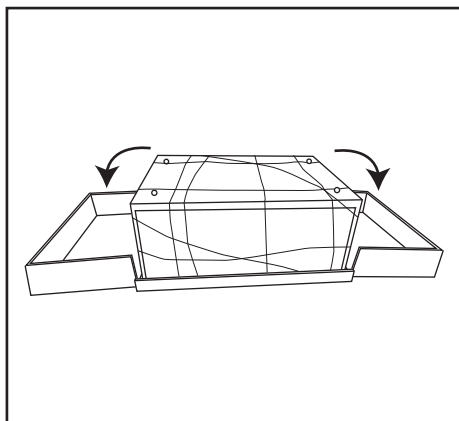
4



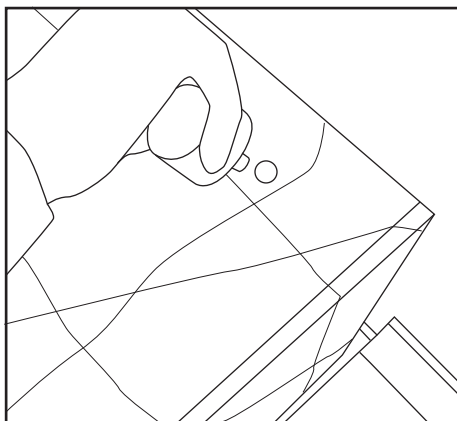
5



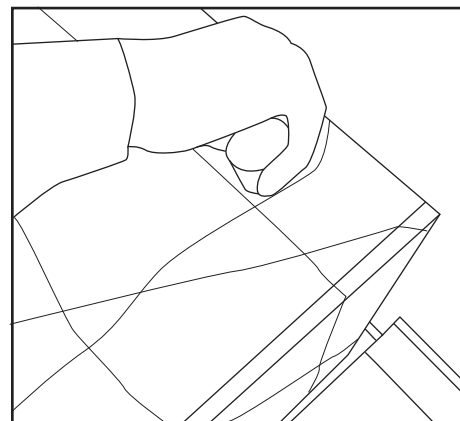
6



7



8



9

KING LIVING
CUSTOMER CARE:

AUSTRALIA:

T 1300 135 464

E service@kingliving.com.au

W kingliving.com.au

NEW ZEALAND:

T 0800 546 422

E service@kingliving.co.nz

W kingliving.co.nz

SINGAPORE:

T +65 6805 4198

E kingcare@kingliving.com.sg

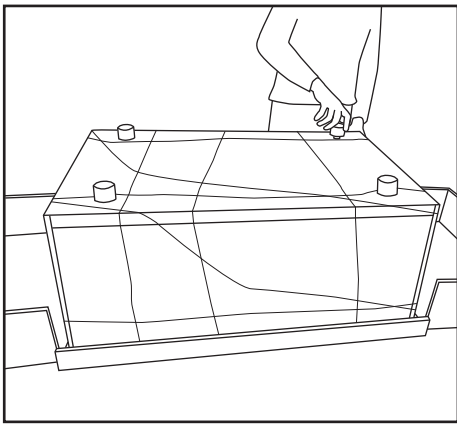
W kingliving.com.sg

MALAYSIA:

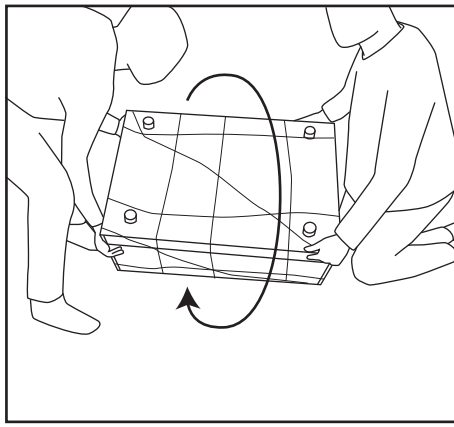
T +603 7732 0272

E service@kingliving.my

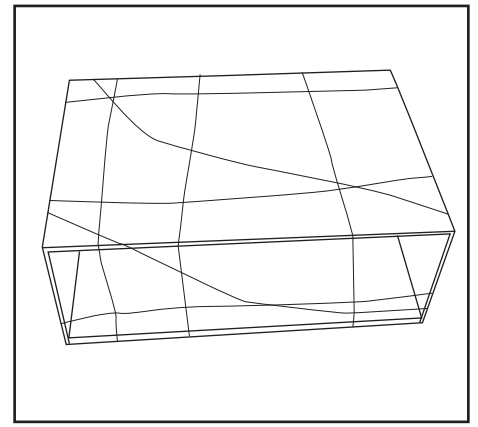
W kingliving.my



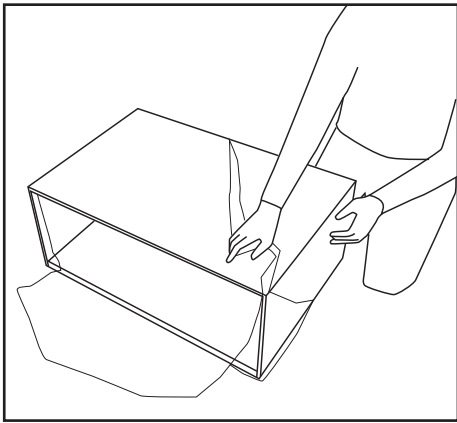
10



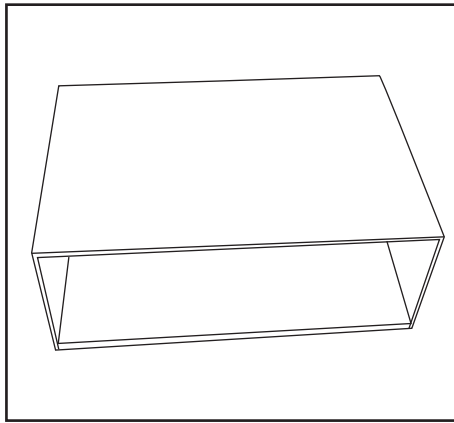
11



12



13



14

**KING LIVING
CUSTOMER CARE:**

AUSTRALIA:
T 1300 135 464
E service@kingliving.com.au
W kingliving.com.au

NEW ZEALAND:
T 0800 546 422
E service@kingliving.co.nz
W kingliving.co.nz

SINGAPORE:
T +65 6805 4198
E kingcare@kingliving.com.sg
W kingliving.com.sg

MALAYSIA:
T +603 7732 0272
E service@kingliving.my
W kingliving.my