

## KING Sofa Bed

### Assembly | User Guide



**Two people required for safe assembly**

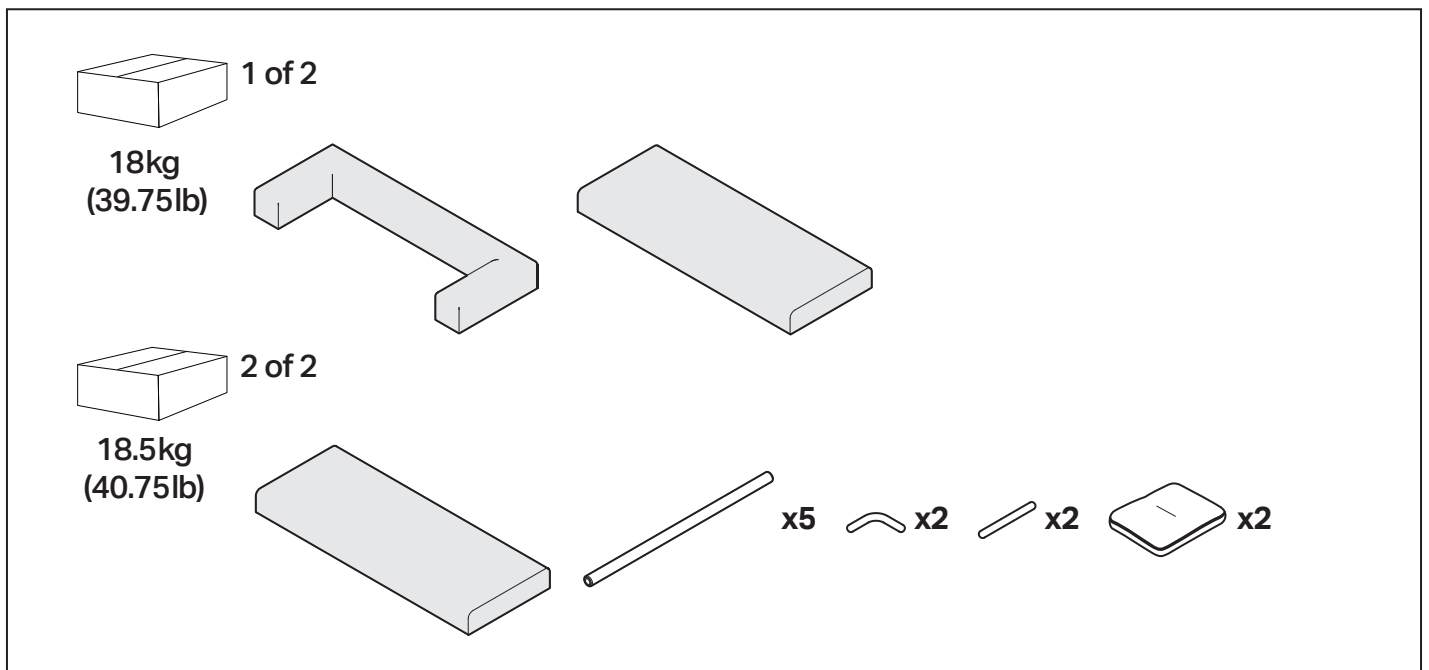
**Opening Boxes:** Peel off the tape and lift the cardboard flaps to open. If needed, carefully cut the tape at one end. Handle tools with care to avoid damaging your furniture.

**Please follow these Assembly | User Guide Instructions**

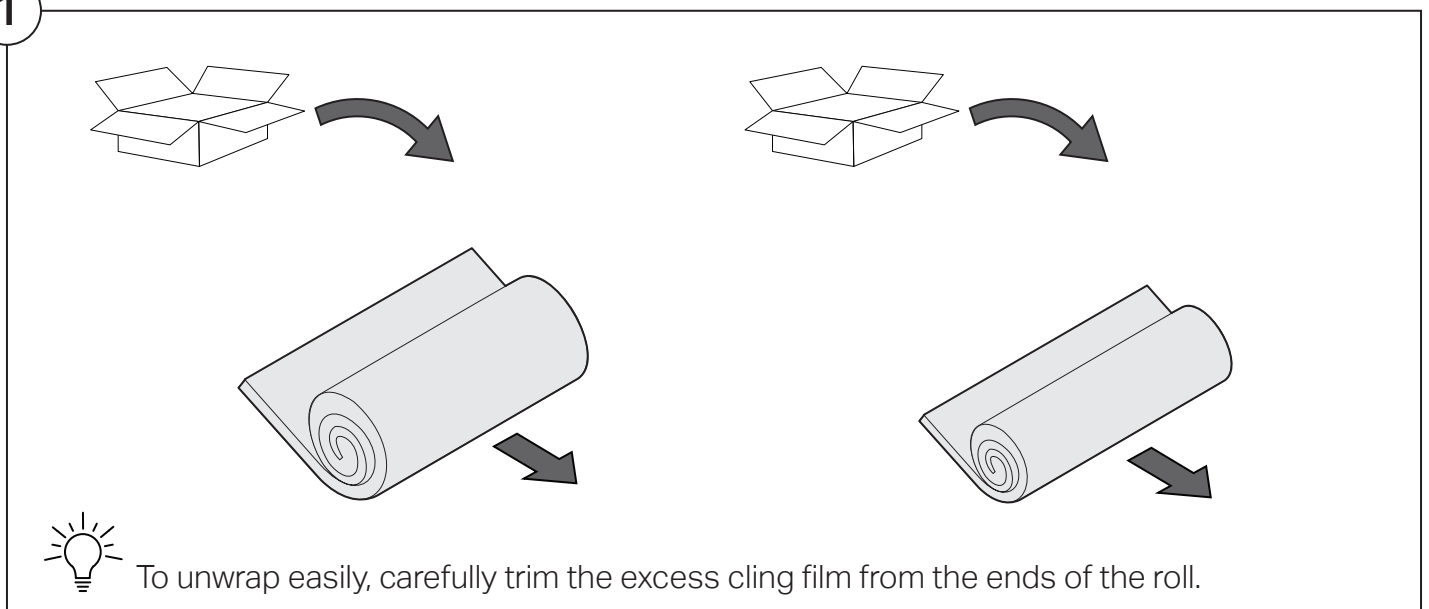
Product Care



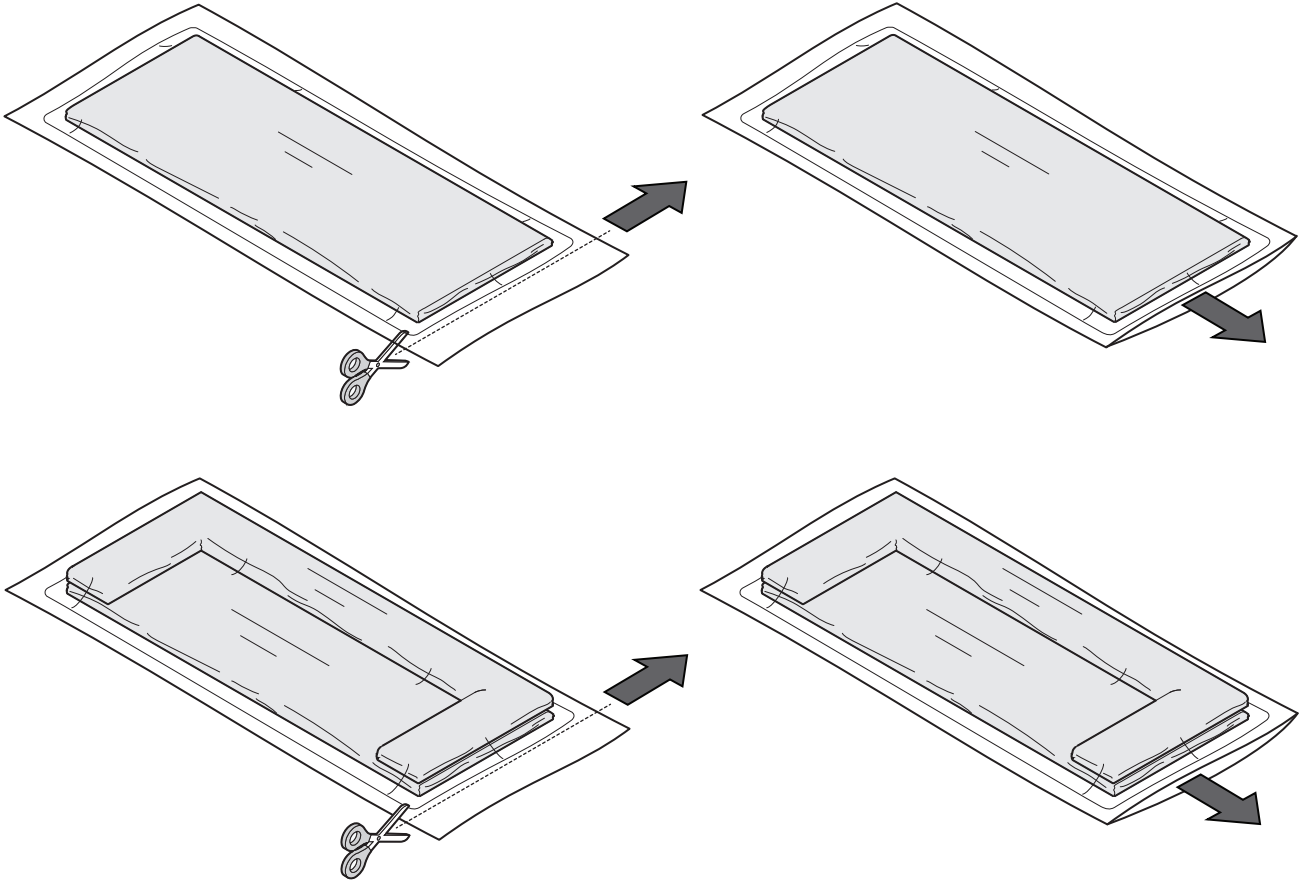
**Assembly:** After unboxing, allow 24 hours for the KING Sofa Bed to completely expand. Massage the foam corners and adjust the cover to align seams with the edges for the best appearance. The sofa can be set up ready for use during this time.



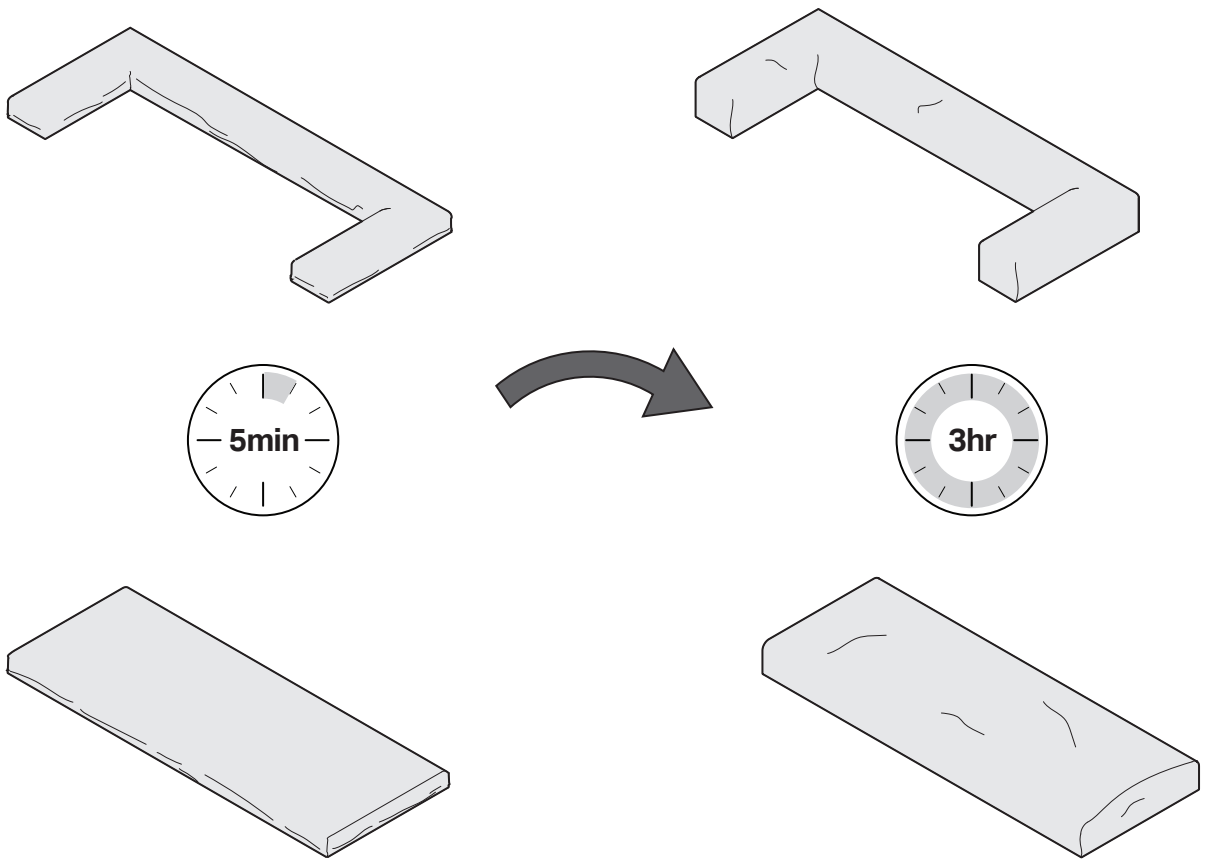
1



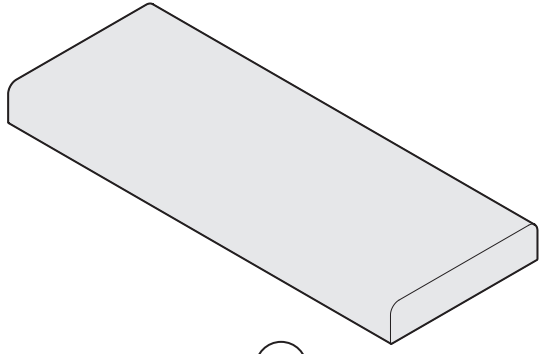
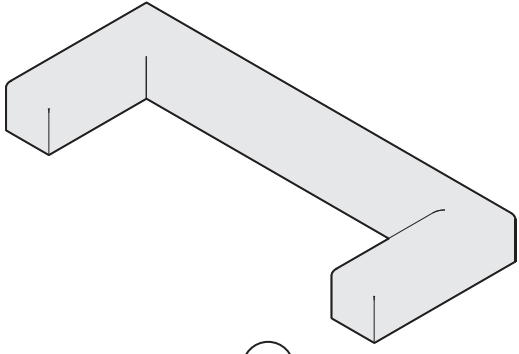
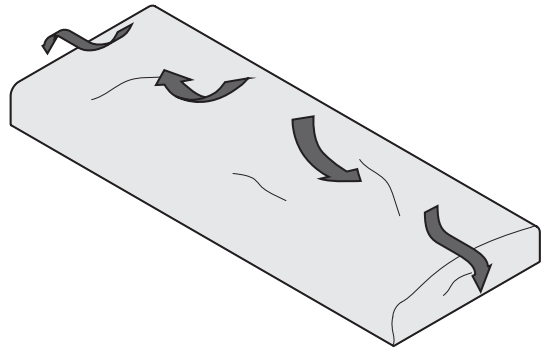
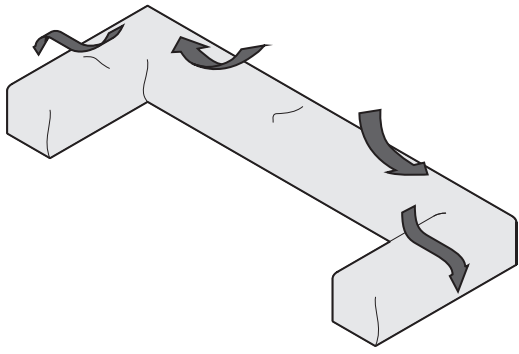
2



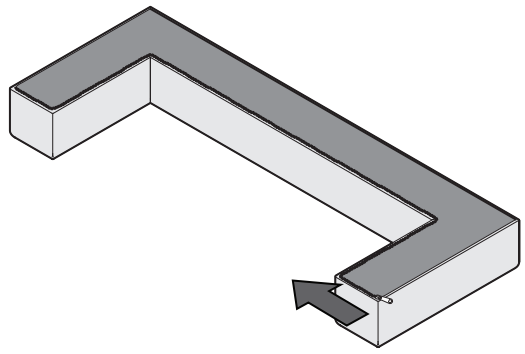
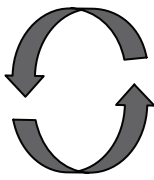
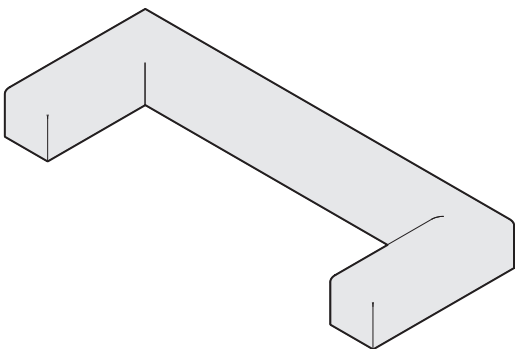
3



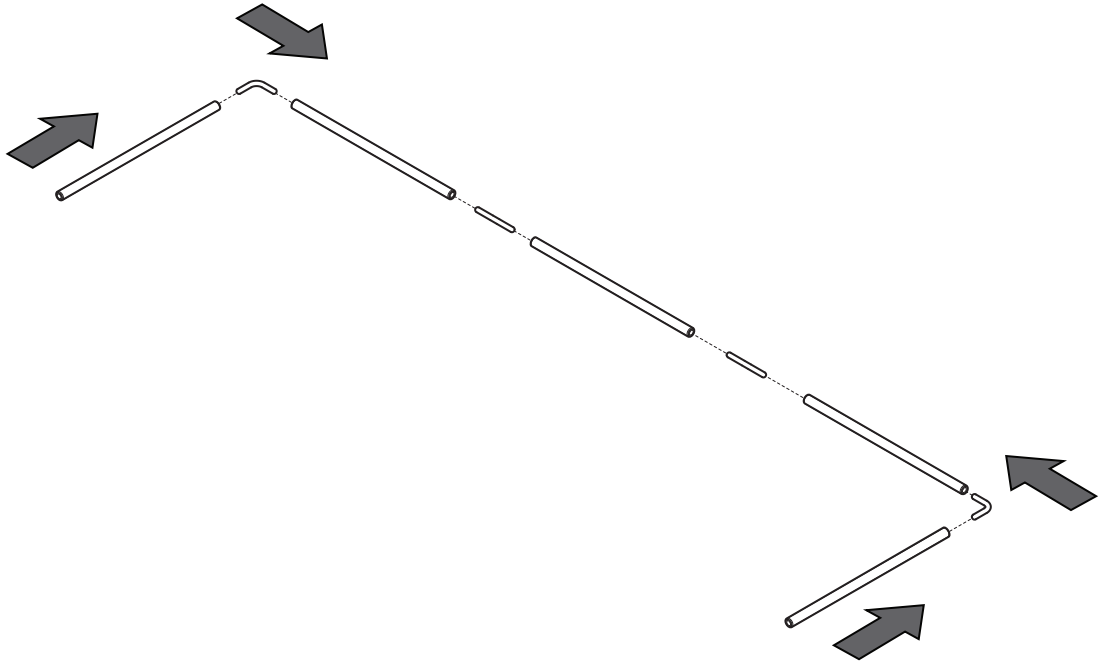
4



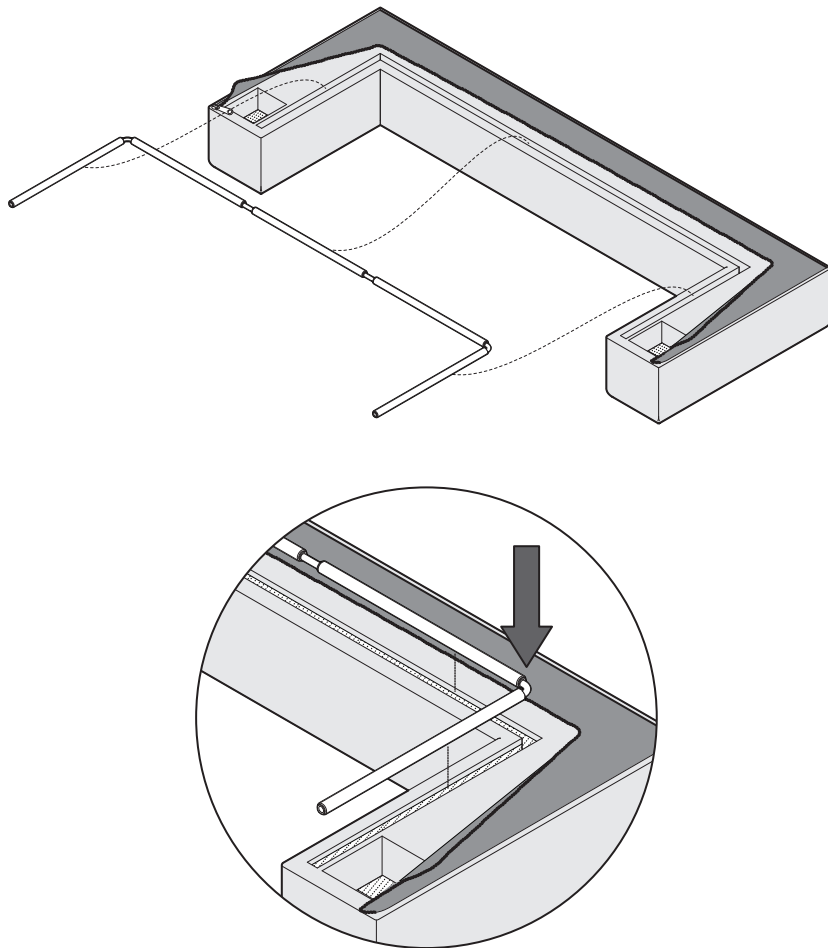
5



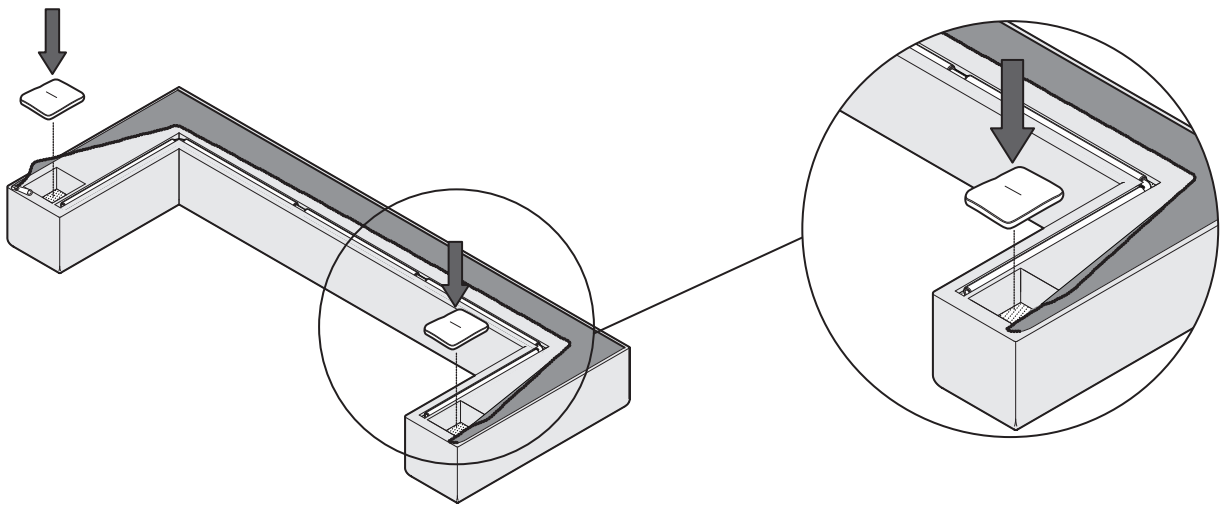
6



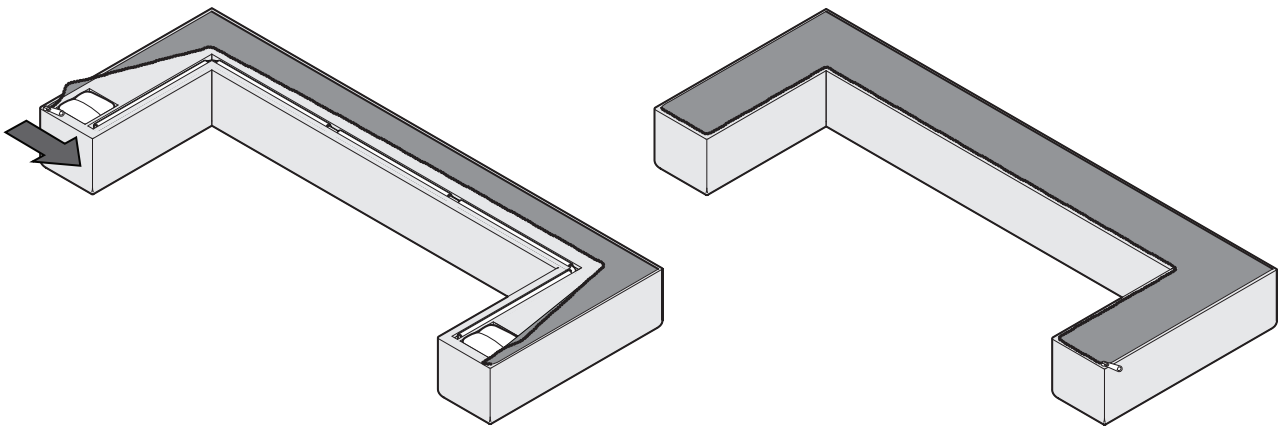
7



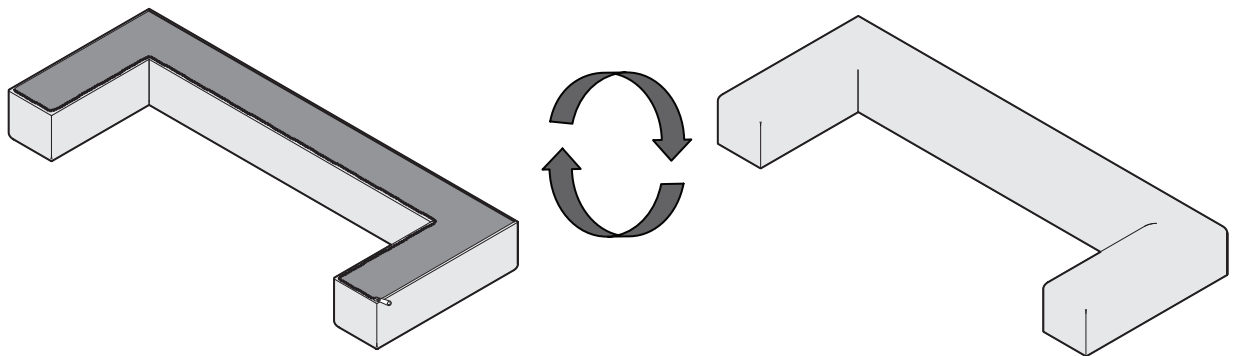
8



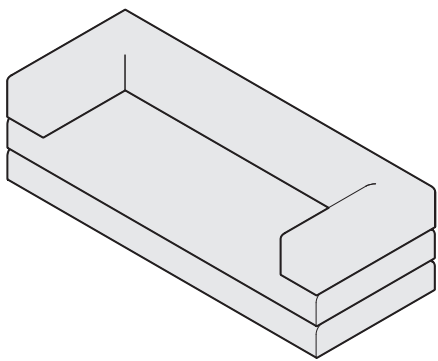
9



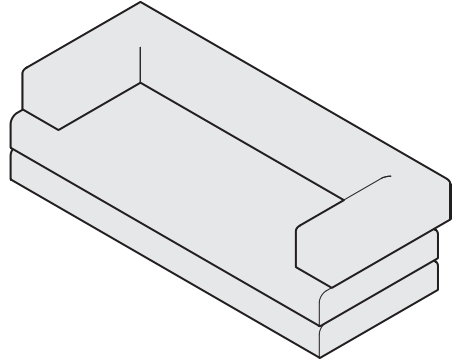
10



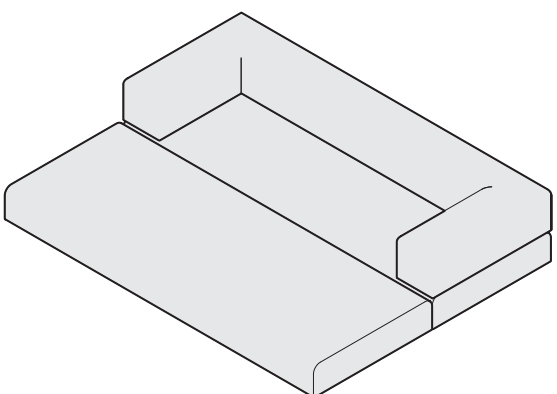
# KING Sofa Bed Configurations



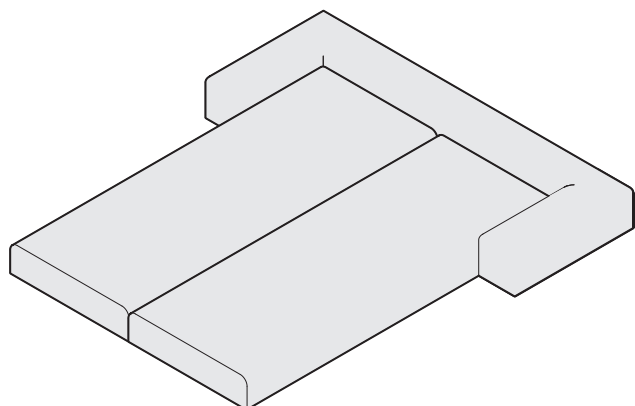
Sofa



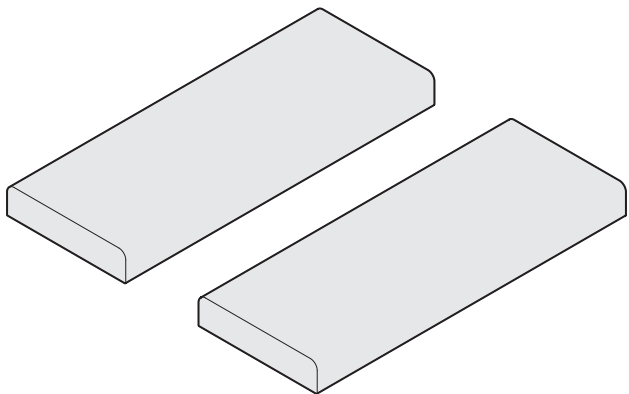
Sofa Deep



Chaise



Bed



Two Single Beds