

# Delta III Sofa Full Assembly Instructions

# K I N G

## 2 Seater Storage Base Assembly

Two People Are Required For Safe Assembly.

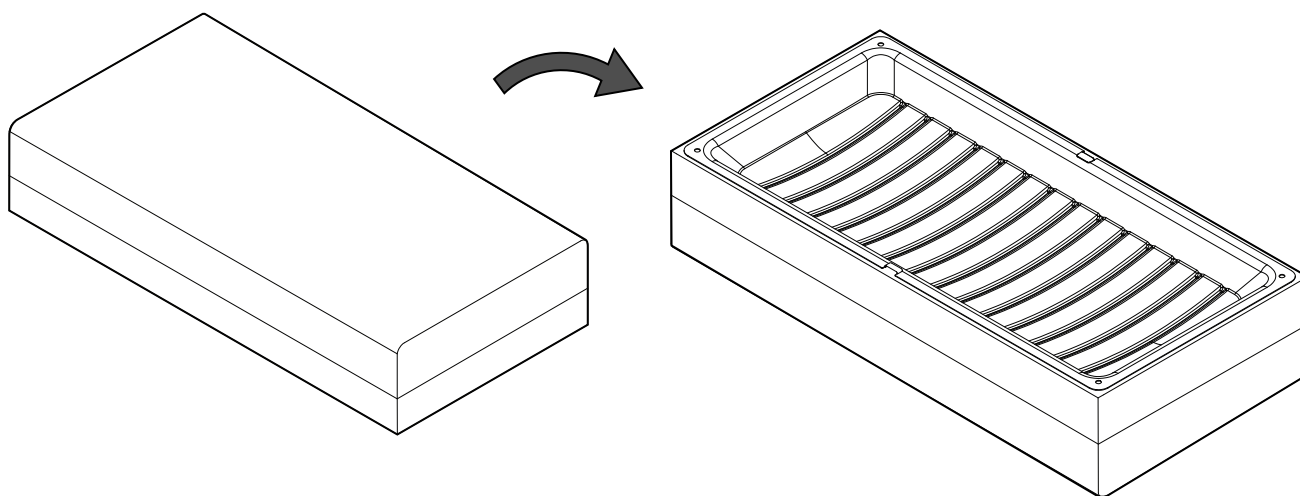
### Opening Boxes:

DO NOT use a knife to open the King boxes as you may damage your furniture.

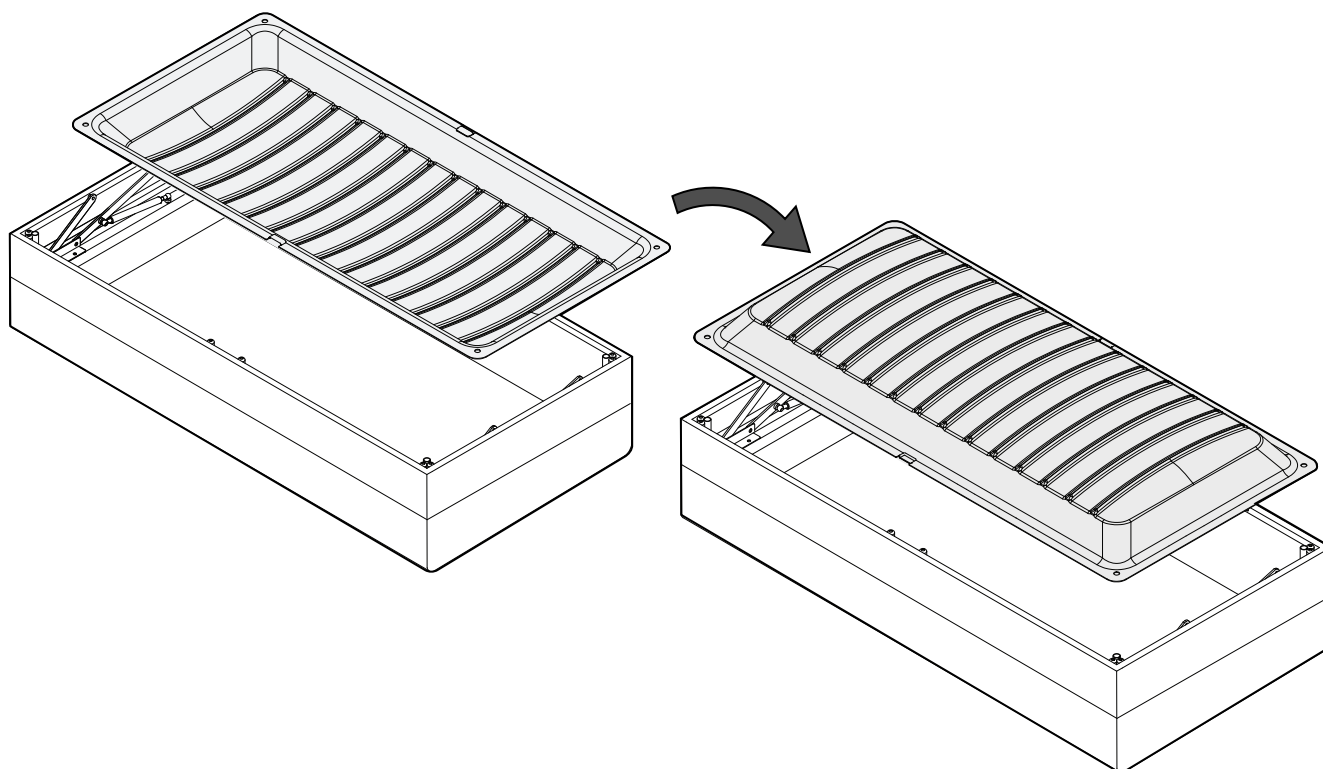
Peel off the tape, then lift & separate the cardboard flaps to open.

Assemble your furniture by following the instructions below.

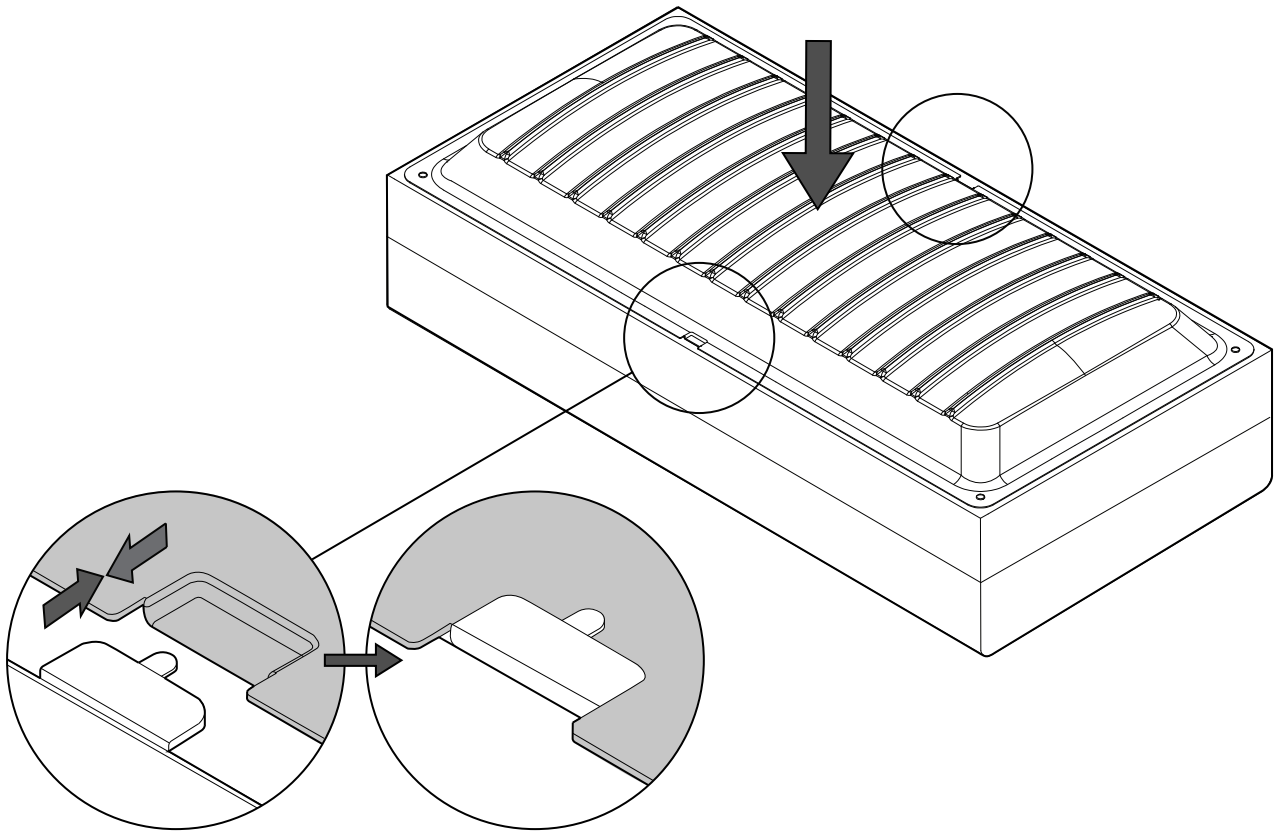
1



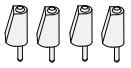
2



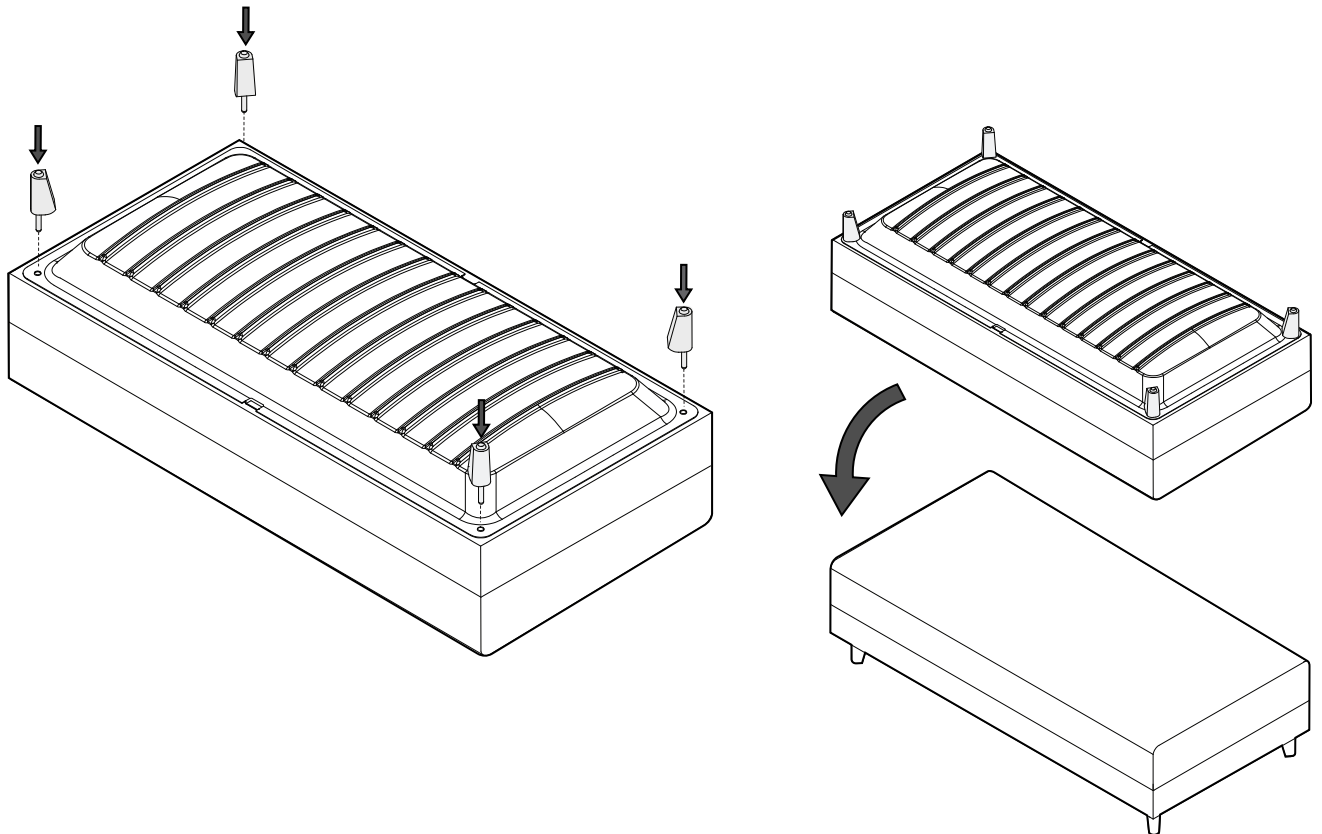
3



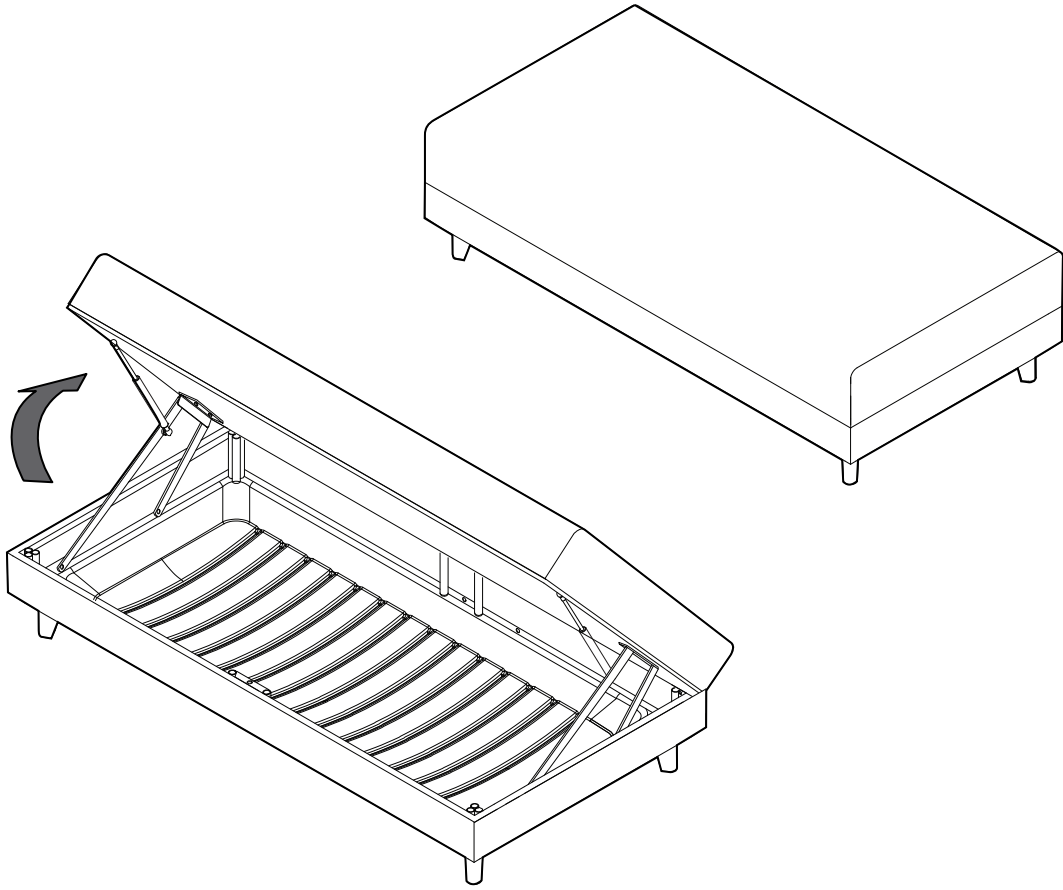
4



X4

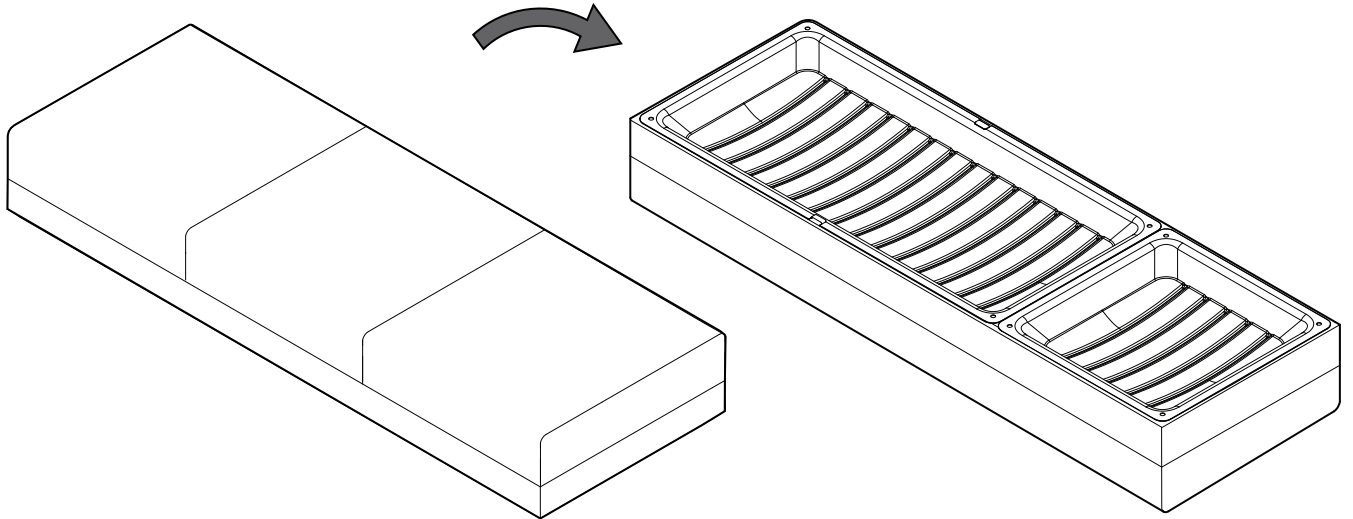


5

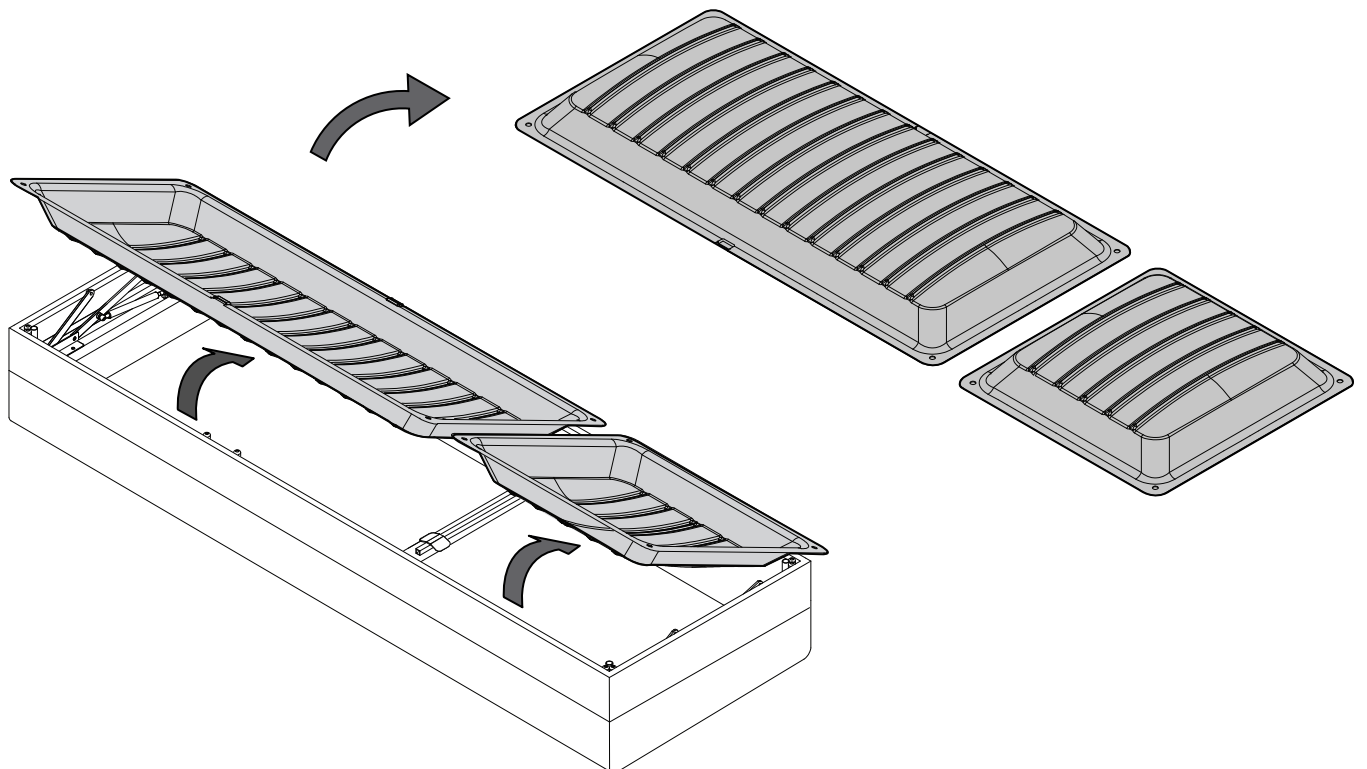


# 3 Seater Storage Base Assembly

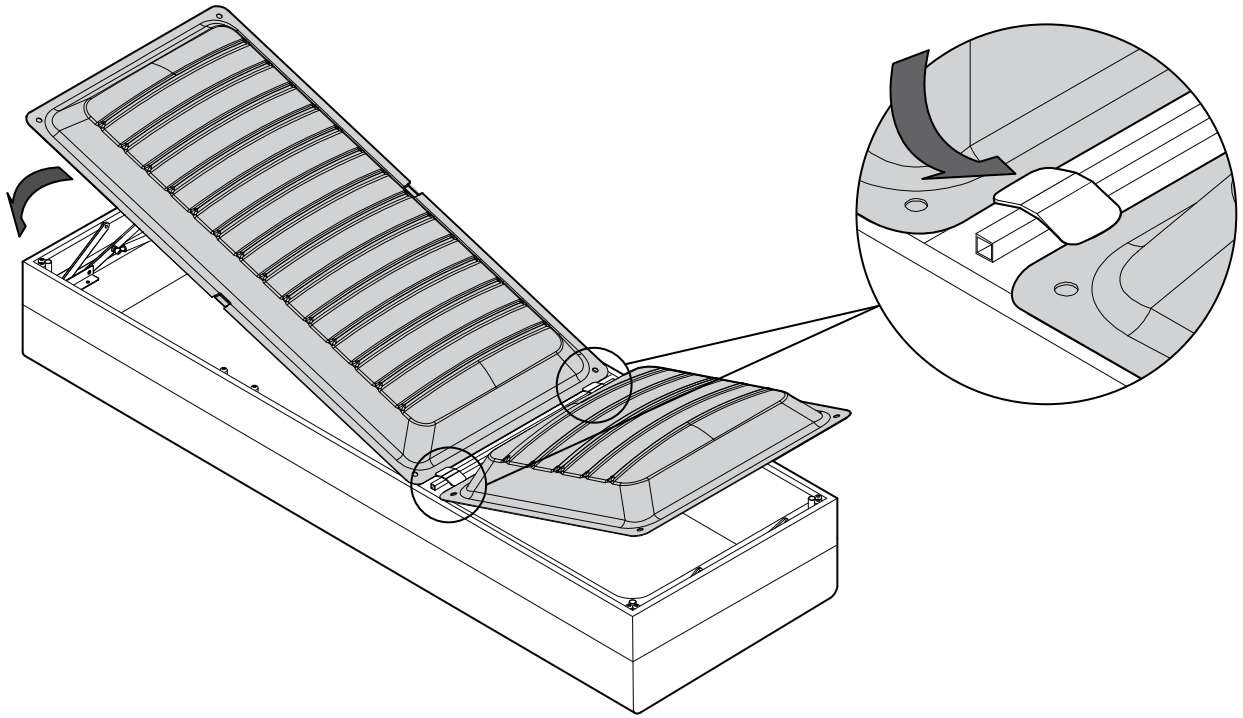
1



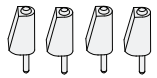
2



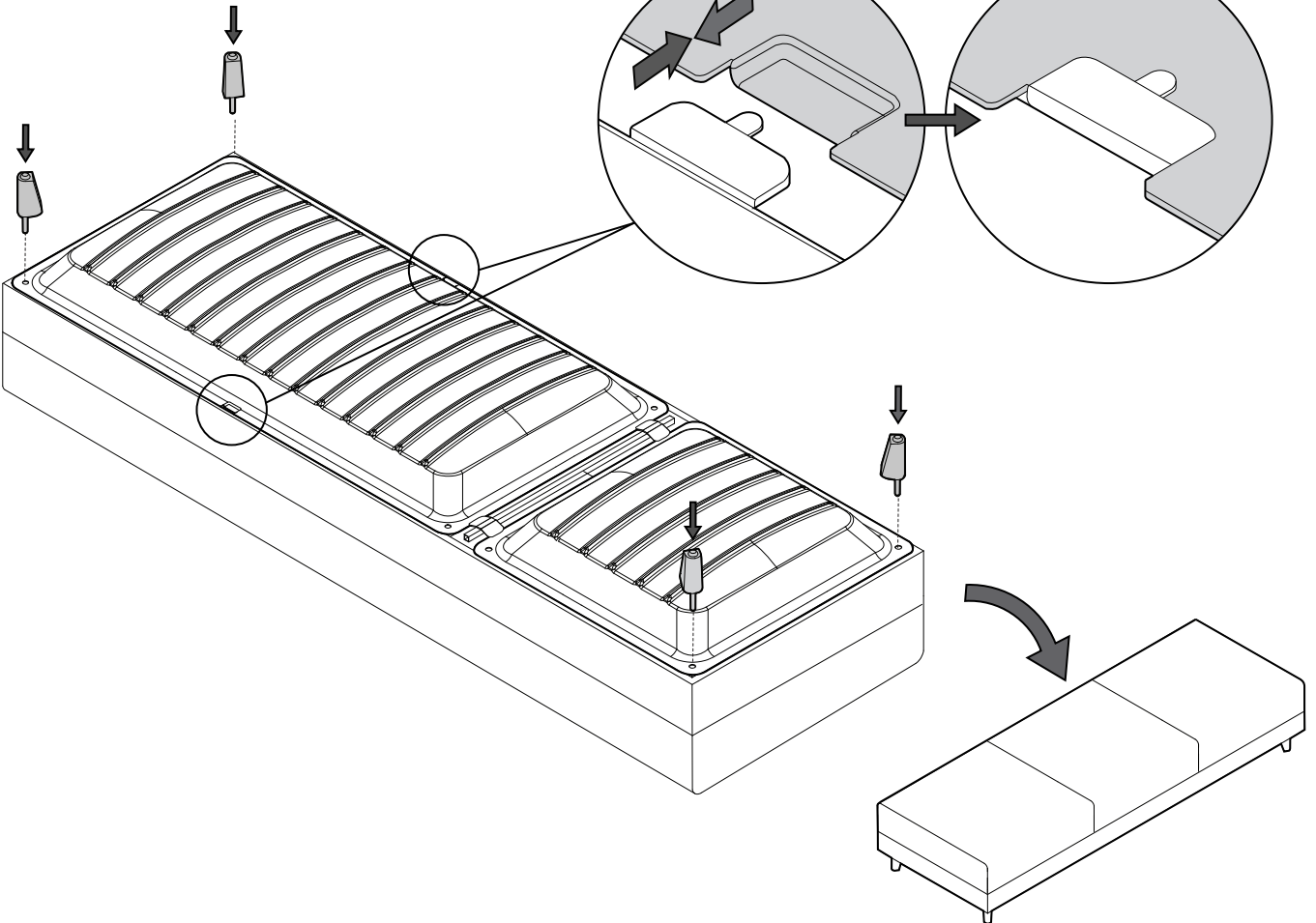
3



4

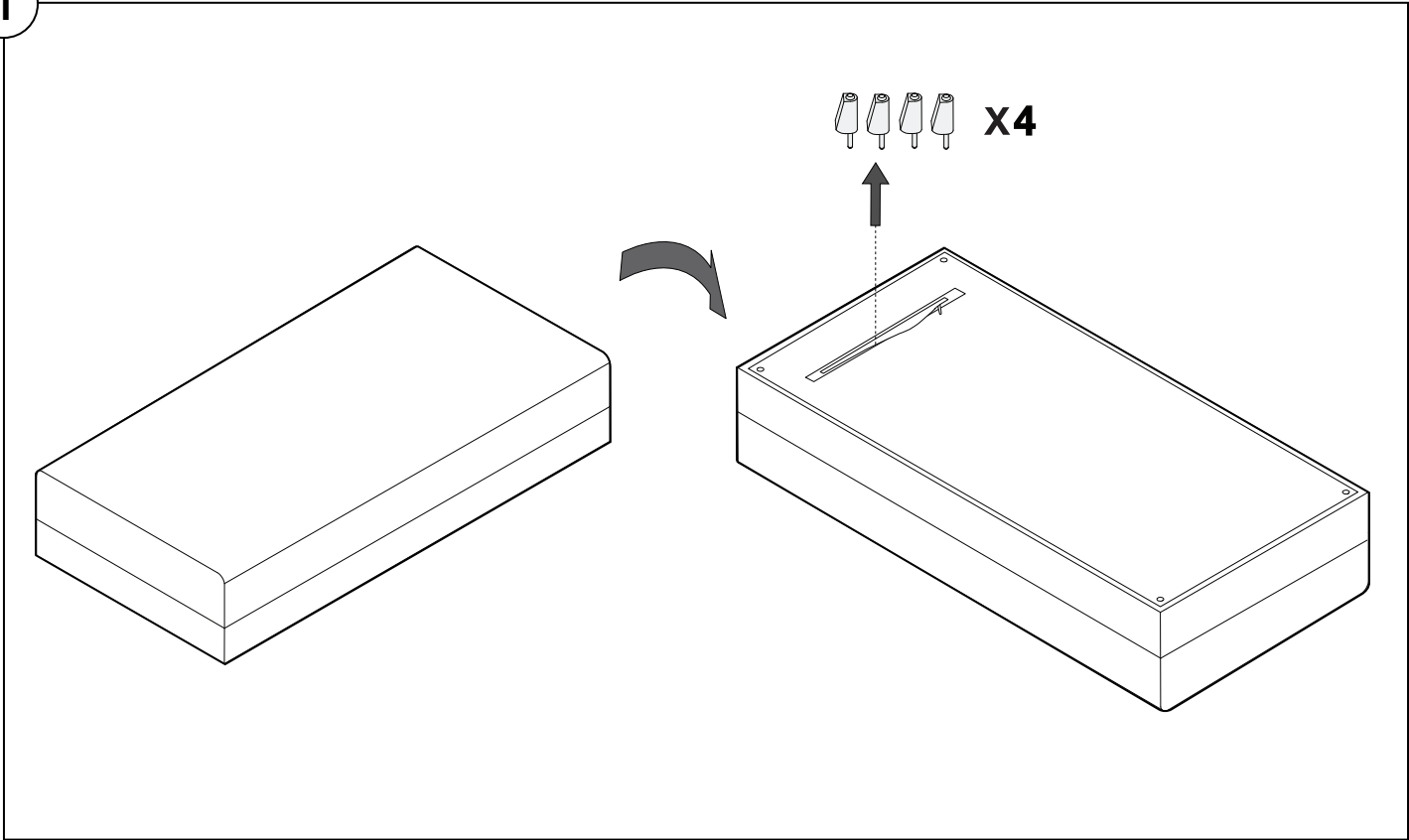


x4

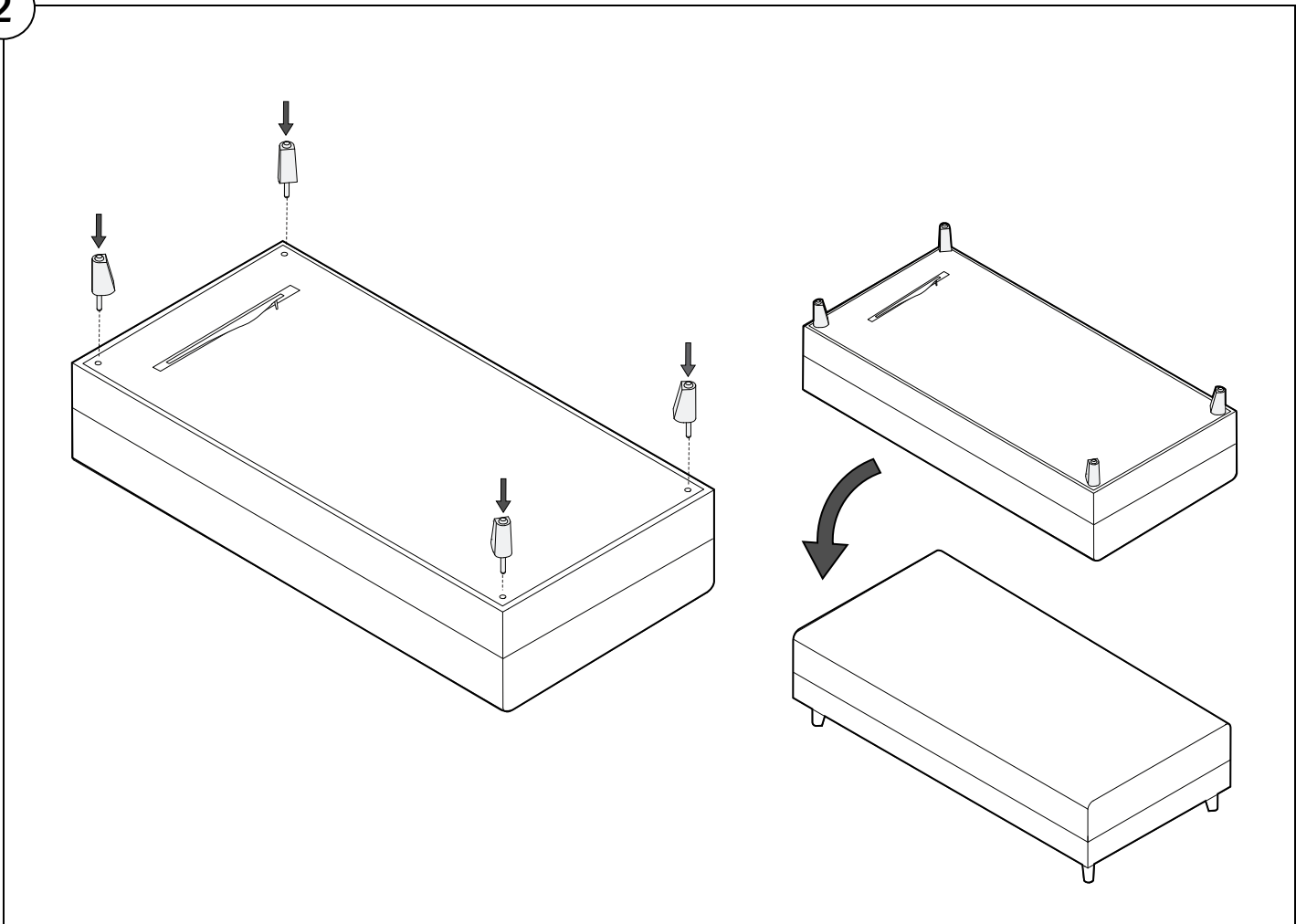


# Non Storage Base Assembly

1

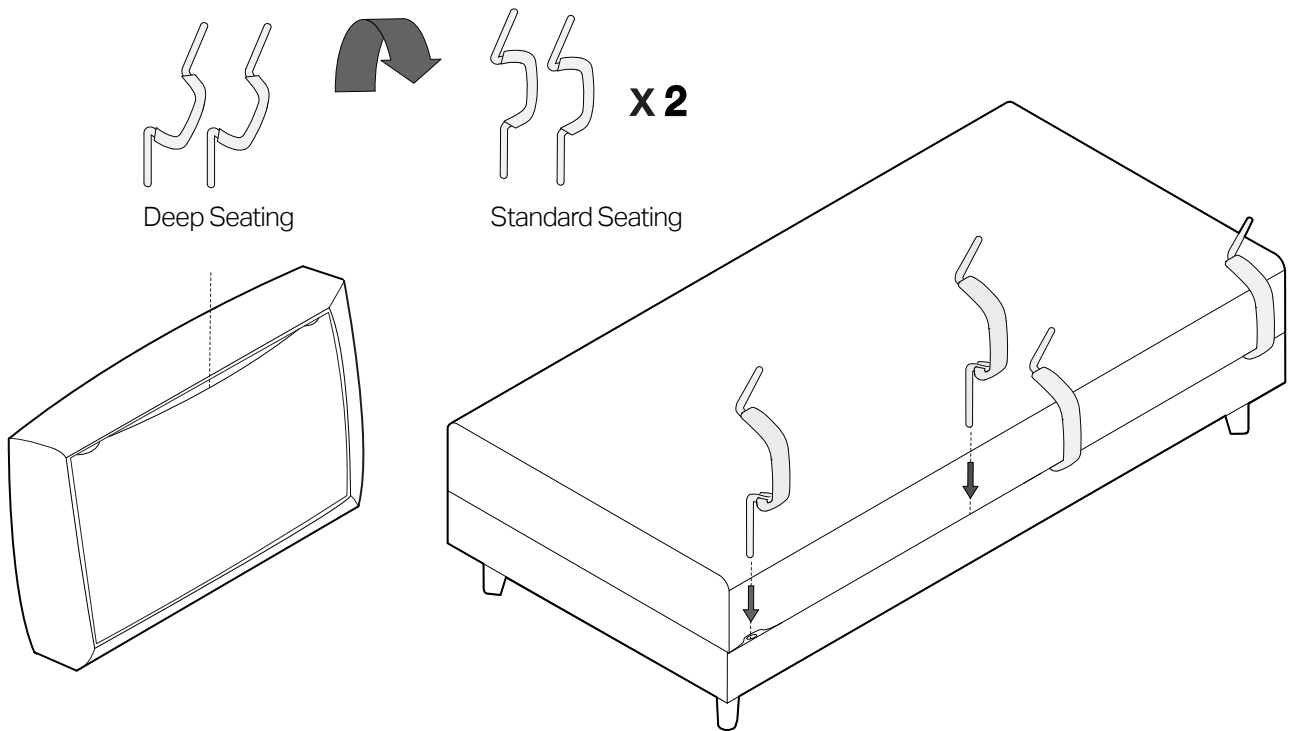


2

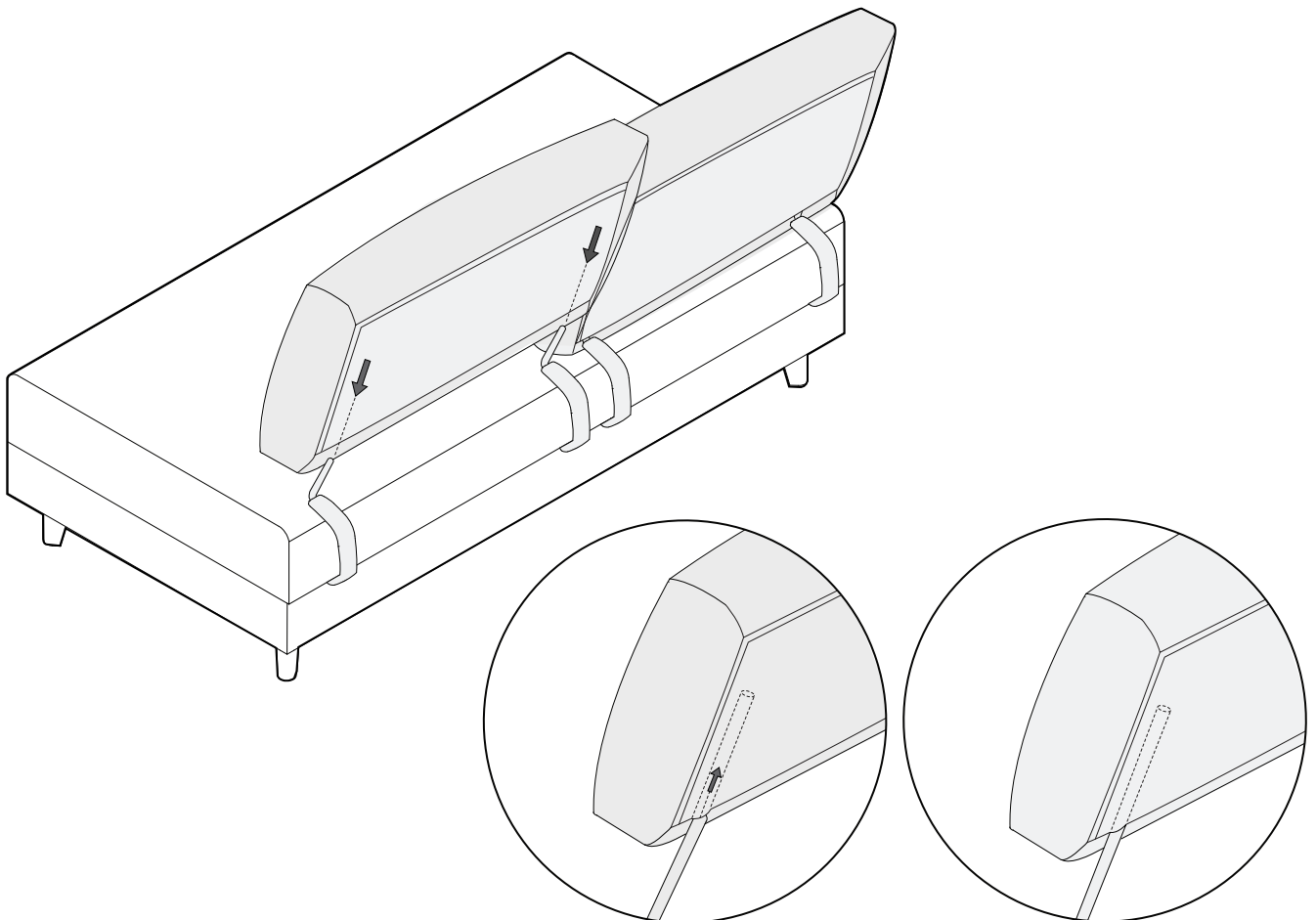


# Standard Depth Seating Back Cushion Assembly

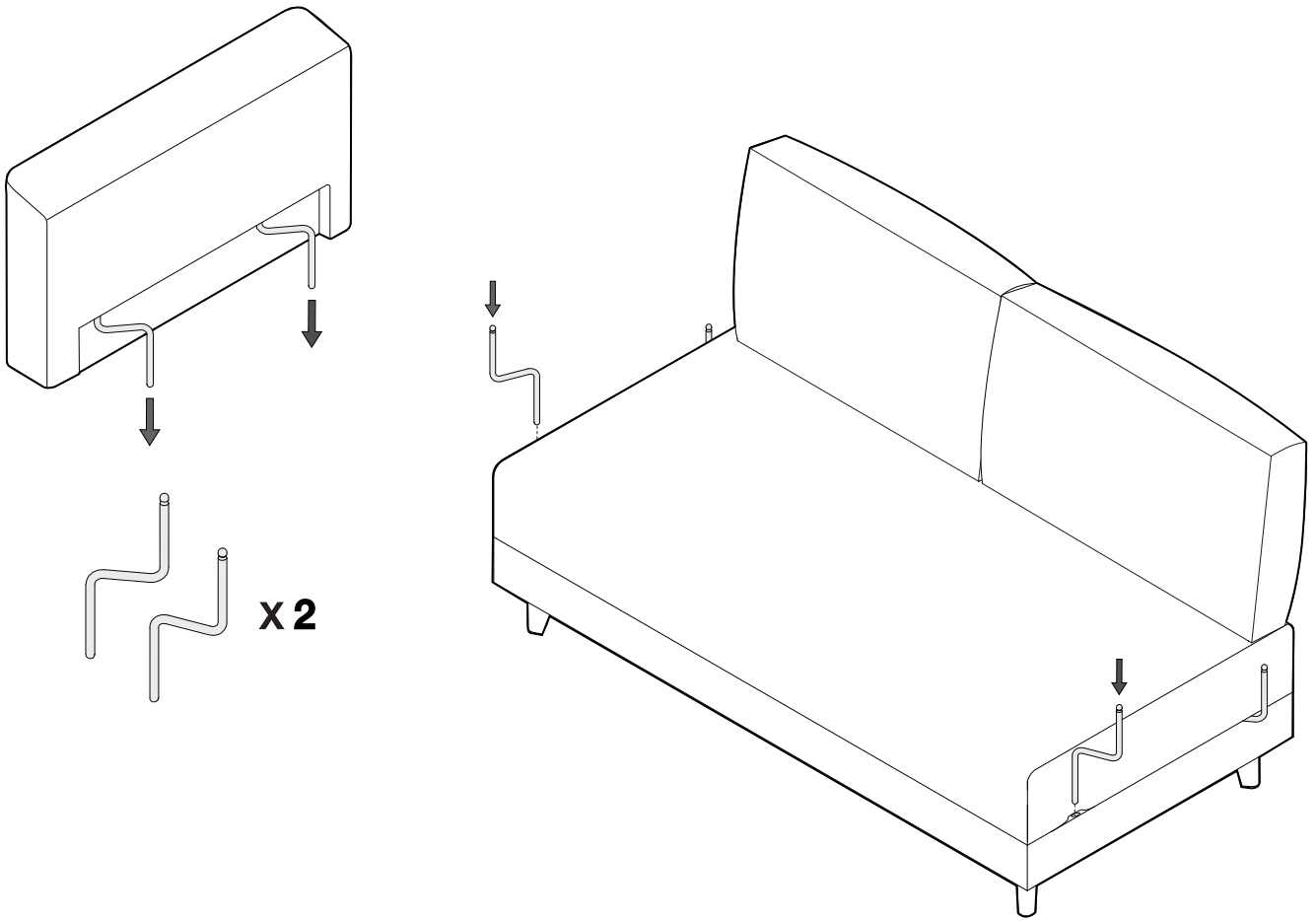
1



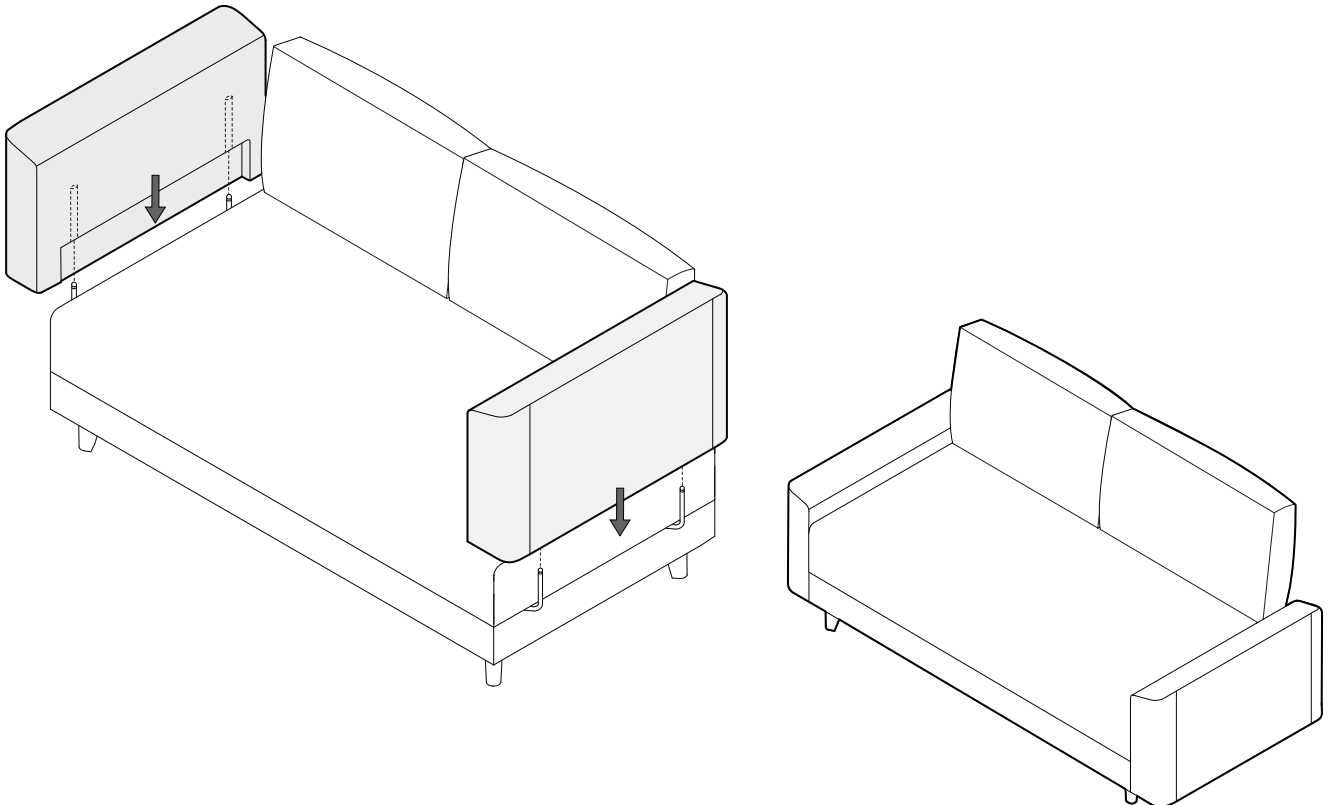
2



3



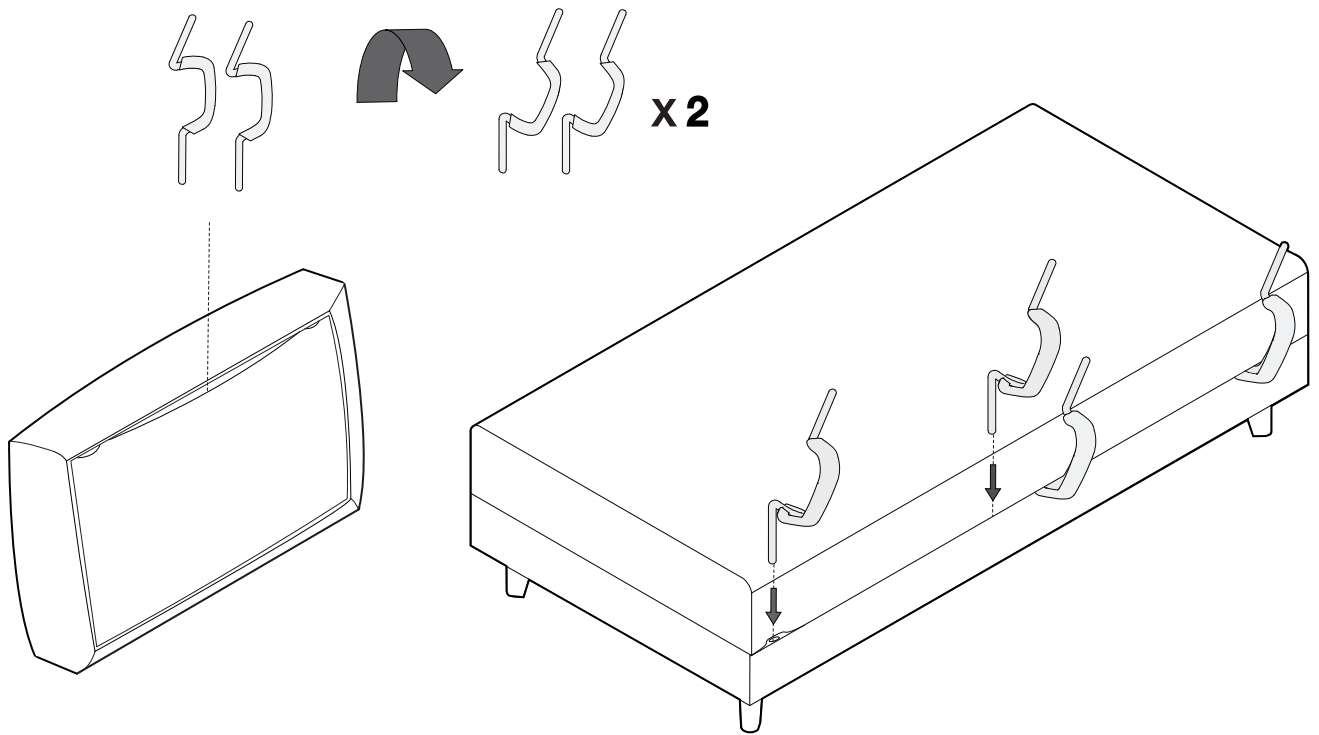
4



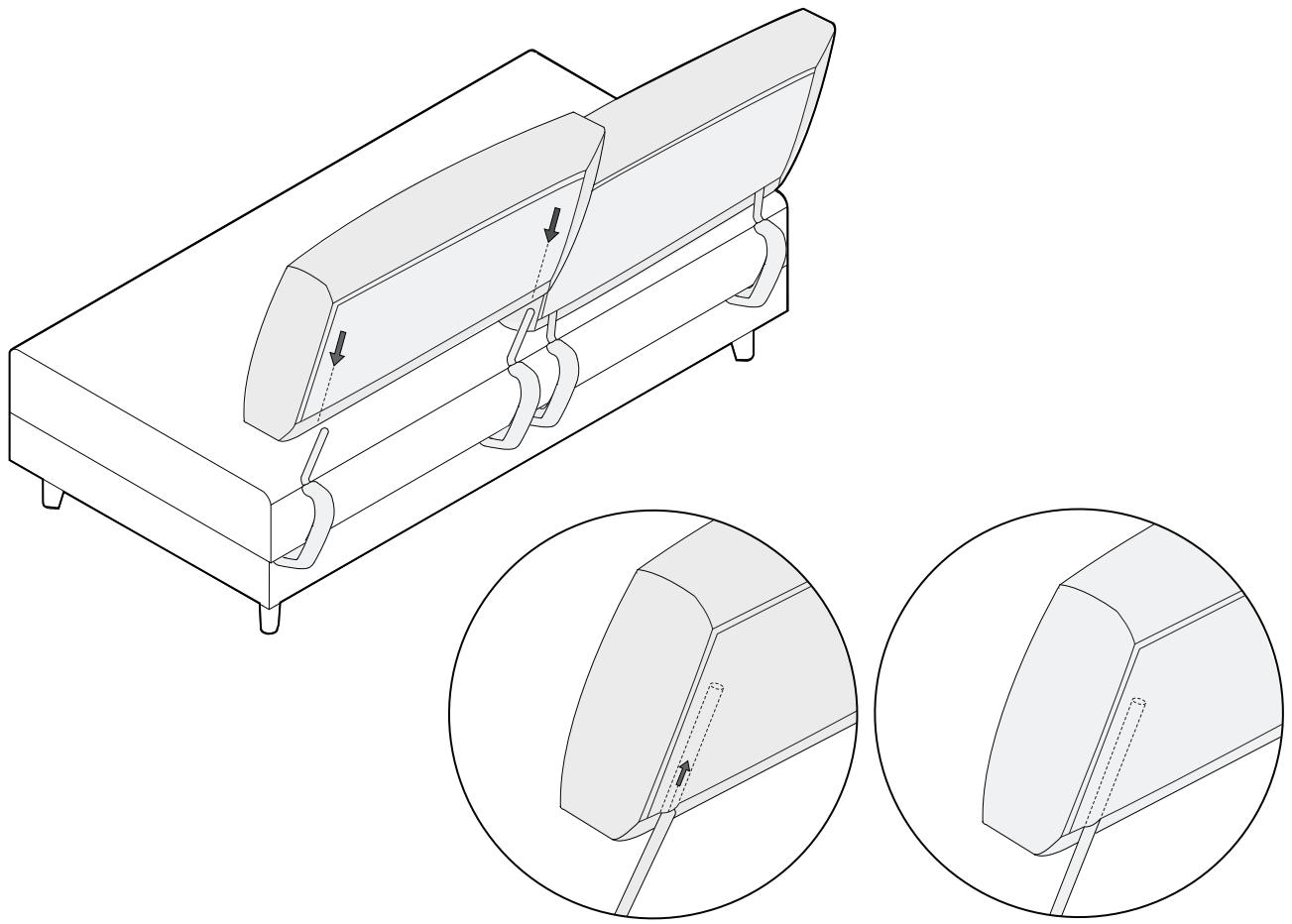


# Deep Seating Back Cushion Assembly

1

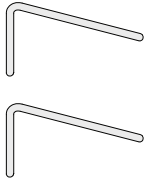


2

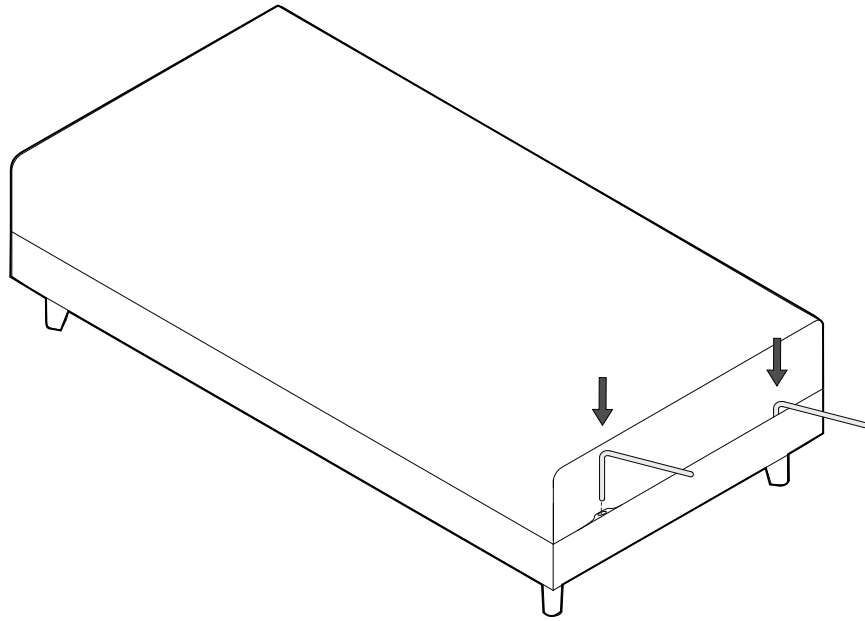


# Bed Bracket Assembly

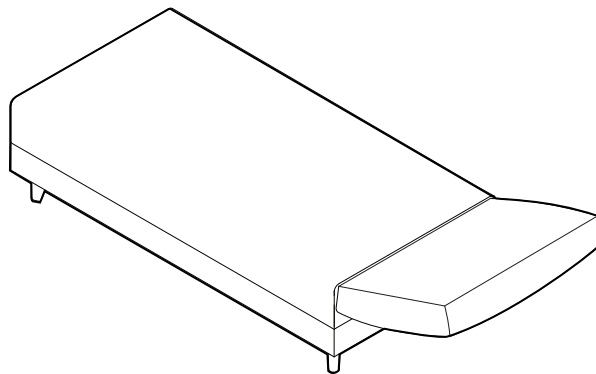
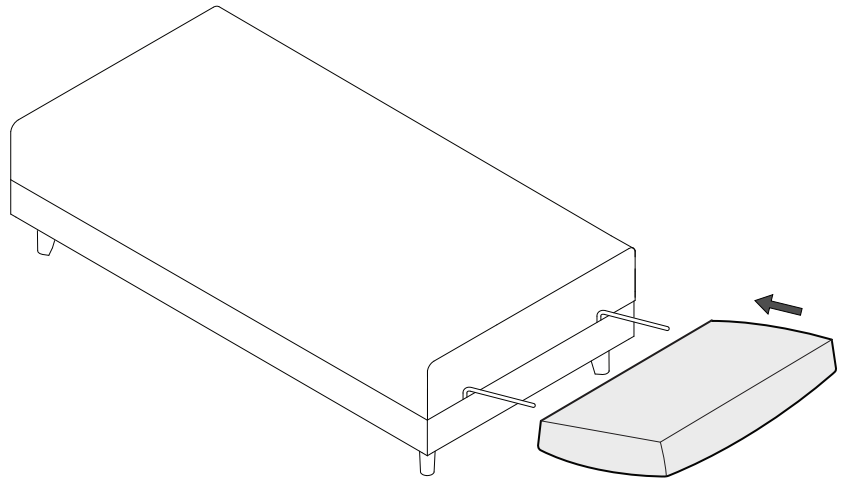
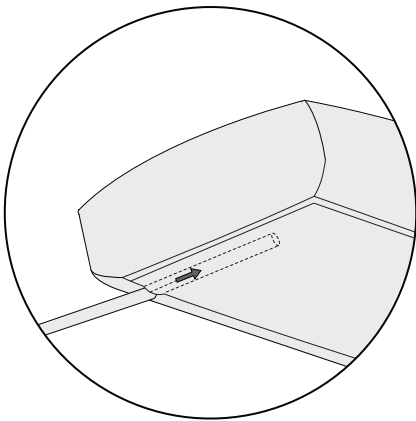
1



**X2**

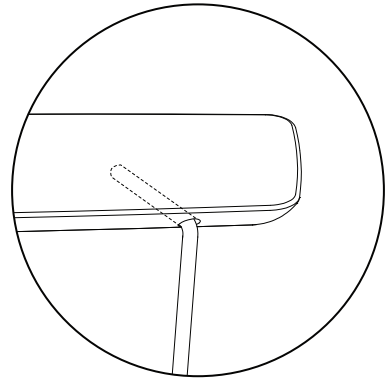
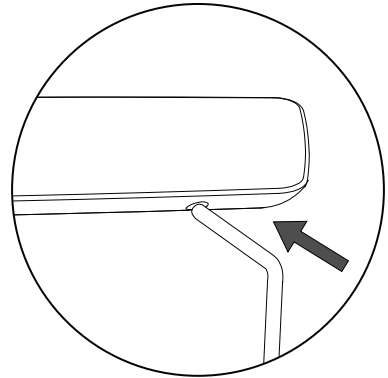
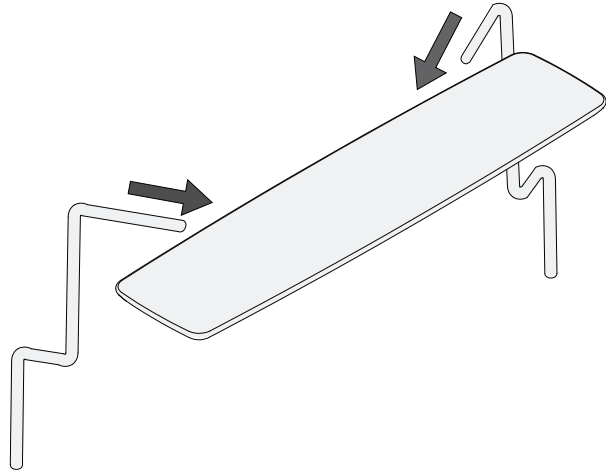
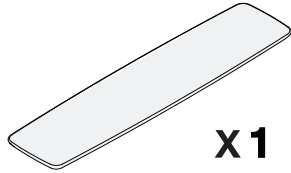
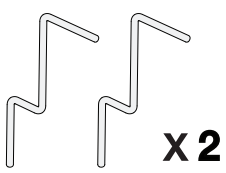


2

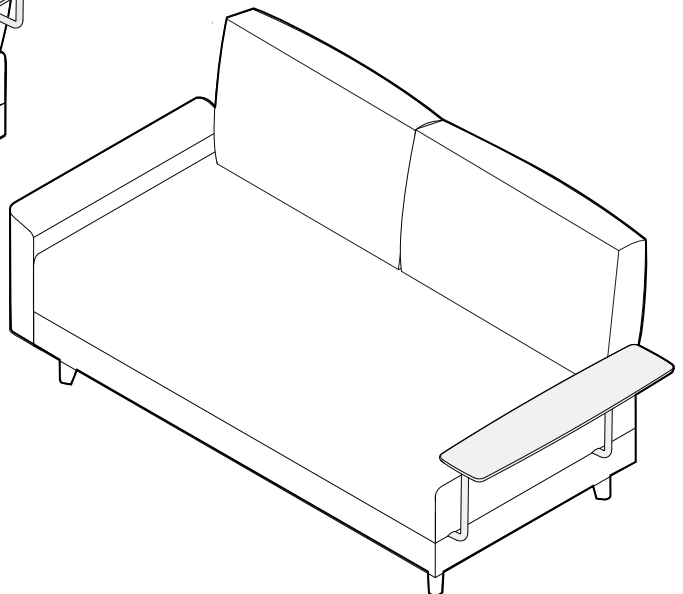
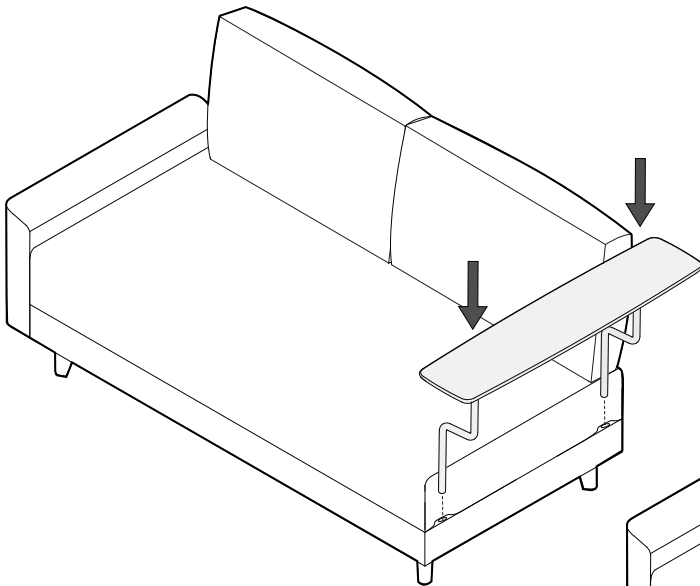


# Rectangle Platform Table Assembly

1

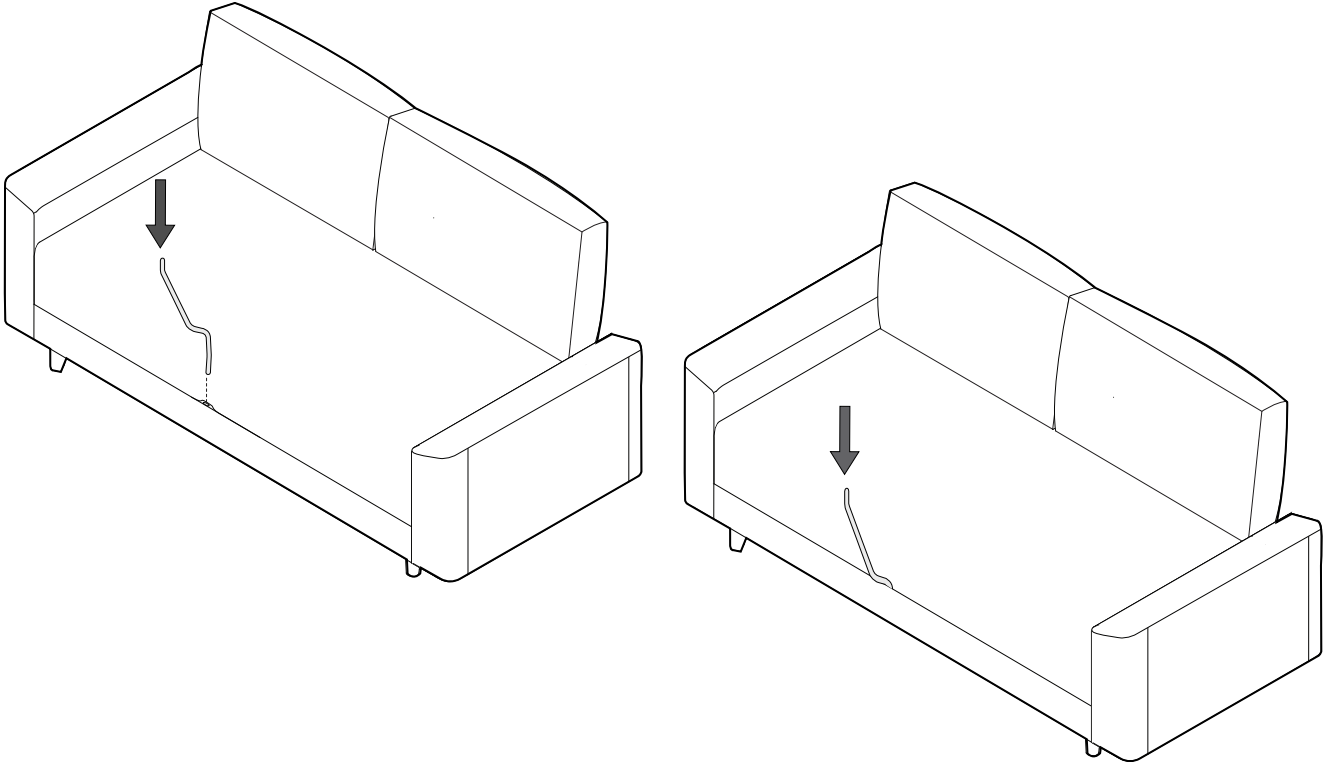


2

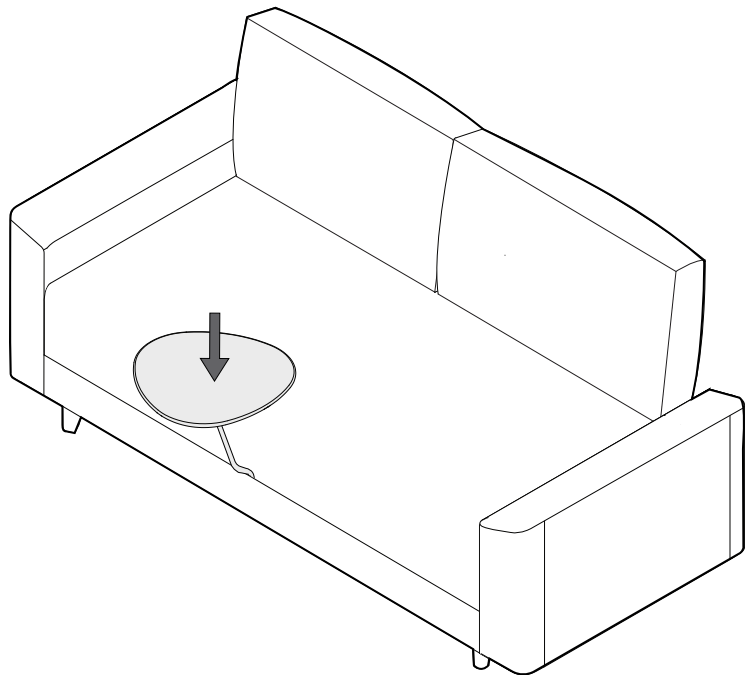
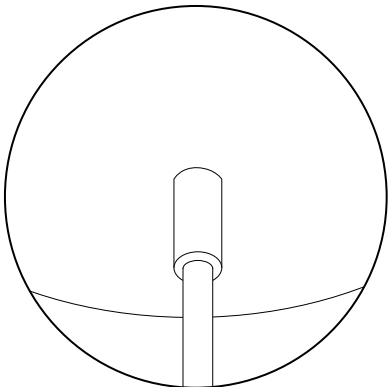
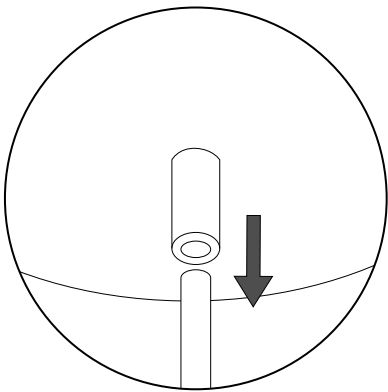


# Crescent Platform Table Assembly

1

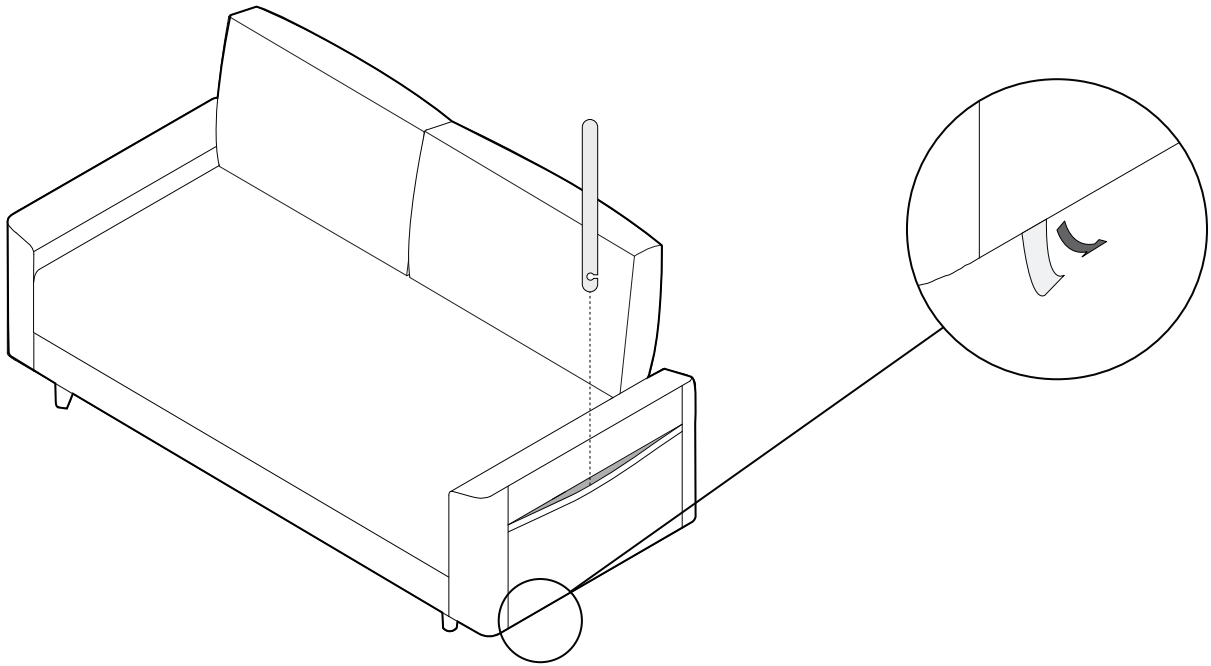


2

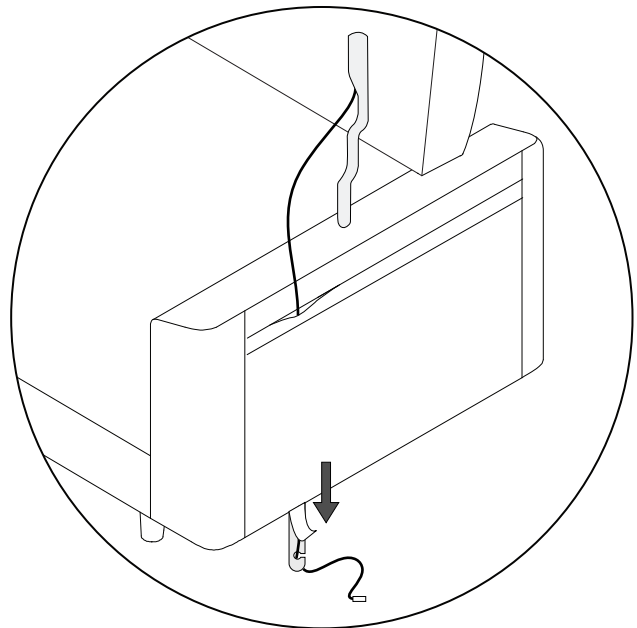
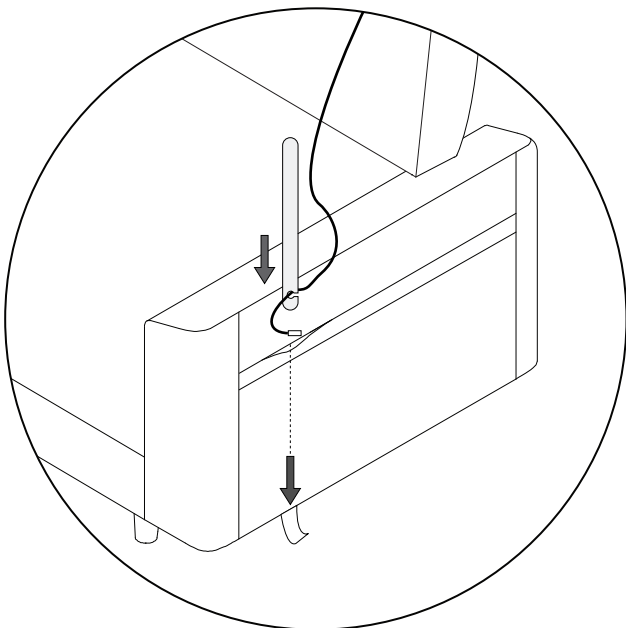
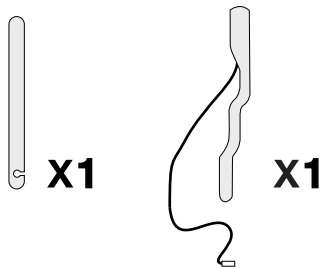


# PocketAccessory Charge Table Assembly

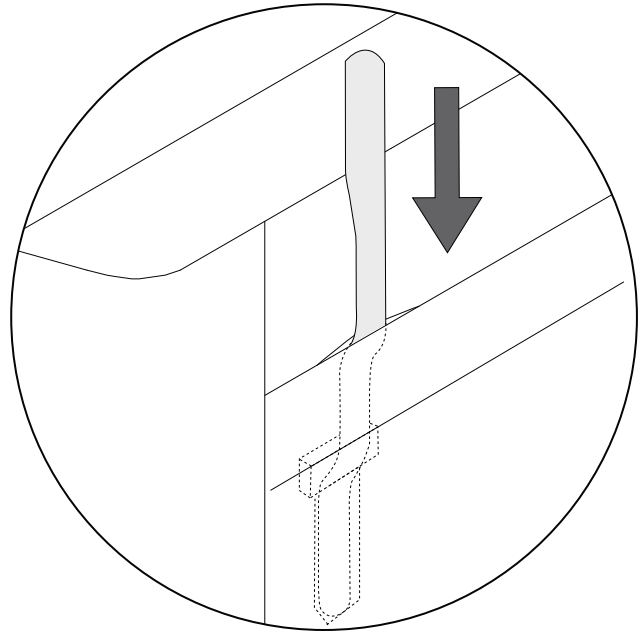
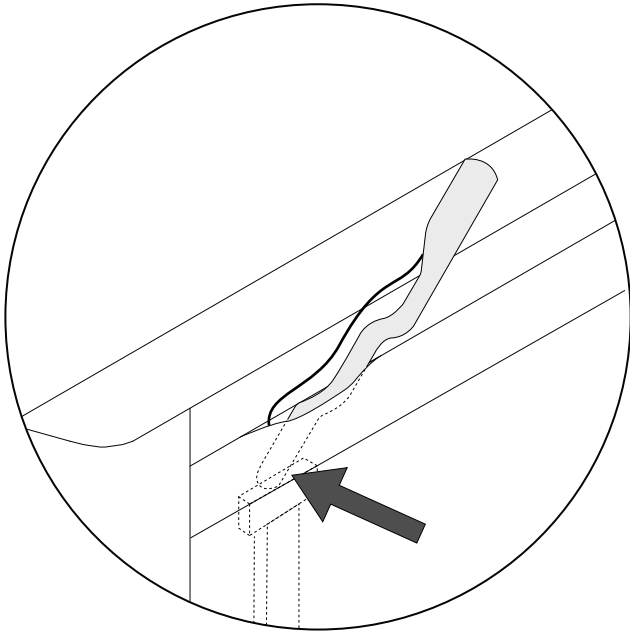
1



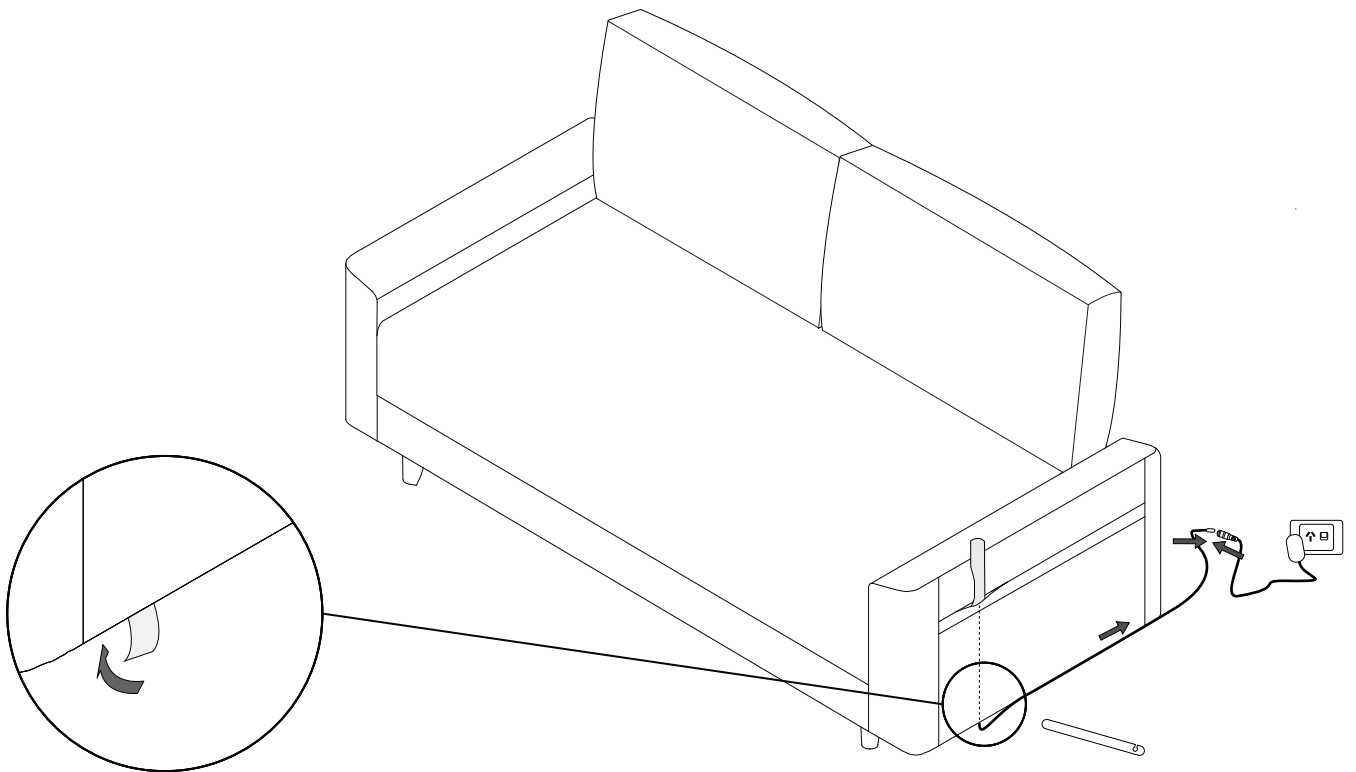
2



3



4



5

