

Cassia Bar Stool

Assembly Instructions

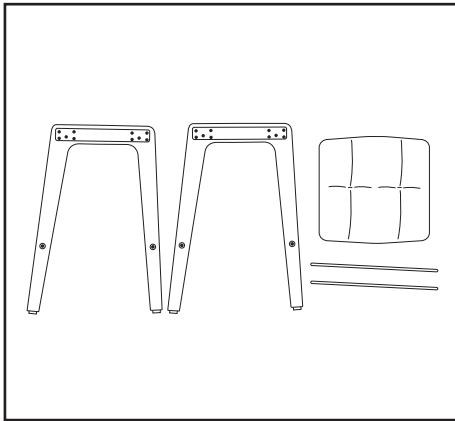
KING[®]
L I V I N G

One person is required for safe assembly.

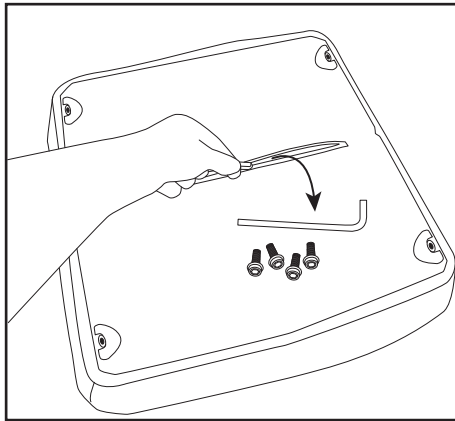
Opening Boxes

DO NOT use a knife to open the King Living boxes as you may damage your furniture. Peel off the tape, then lift & separate the cardboard flaps to open.

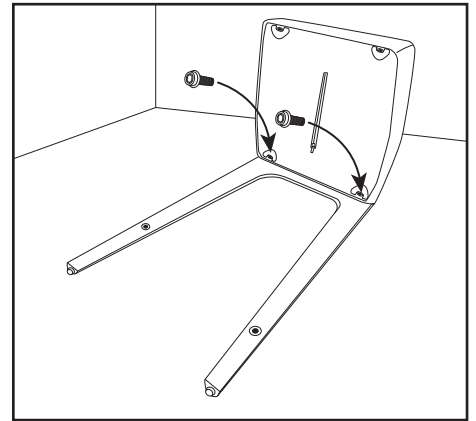
Assemble your furniture by following the steps below.



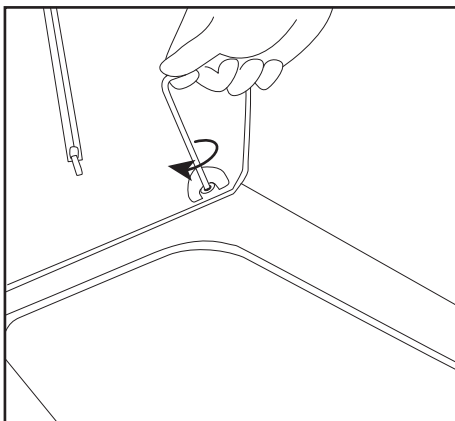
1



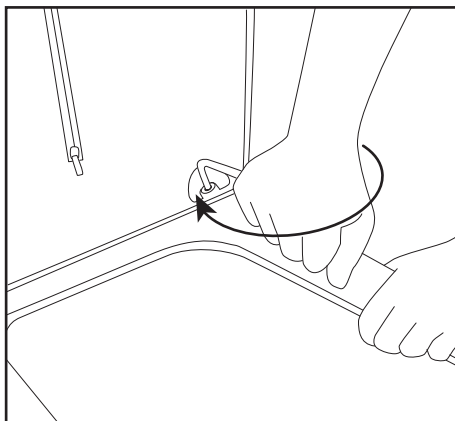
2




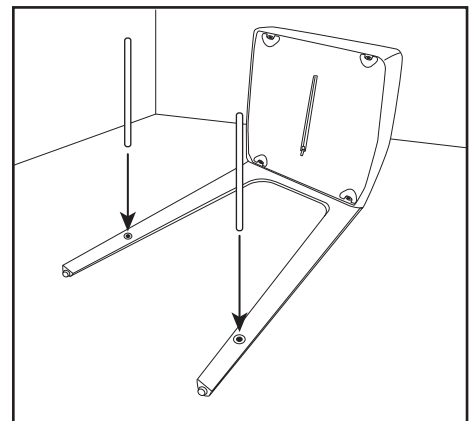
3



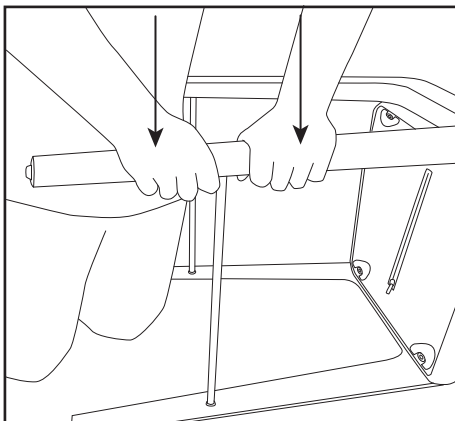
4



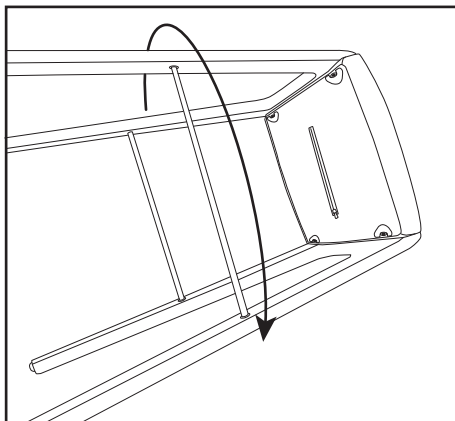
5  ALL screws must be fastened **VERY** tightly



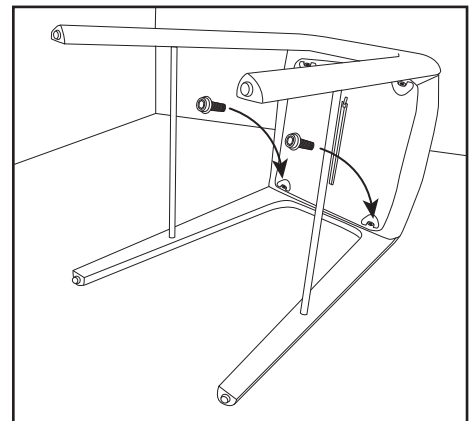
6



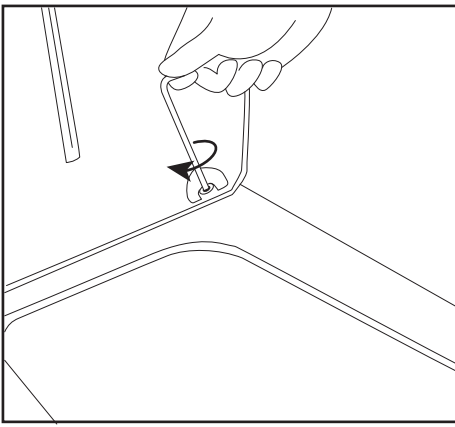
7



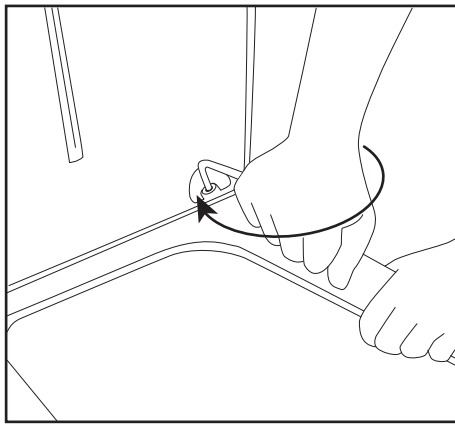
8




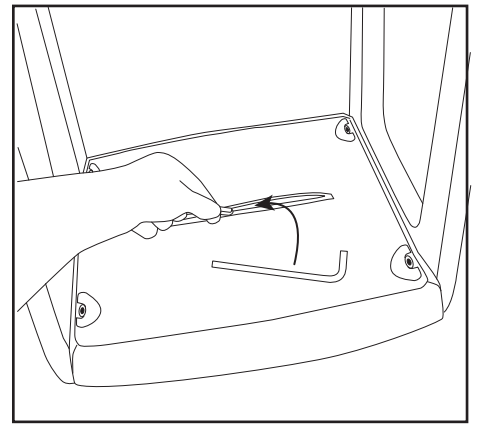
9



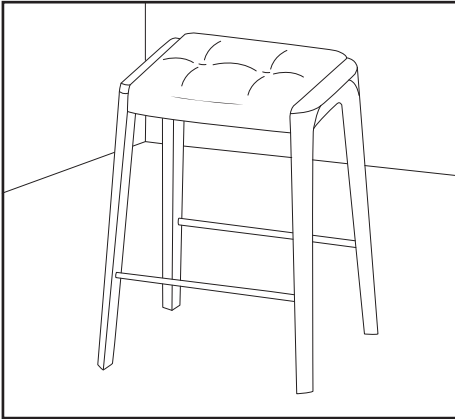
10



11  ALL screws must be fastened **VERY** tightly



12



13



IF THE ASSEMBLED BAR STOOL IS UNSTEADY:
Check ALL screws are fastened **VERY** tightly

