

1977 Sofa

Assembly | User Guide

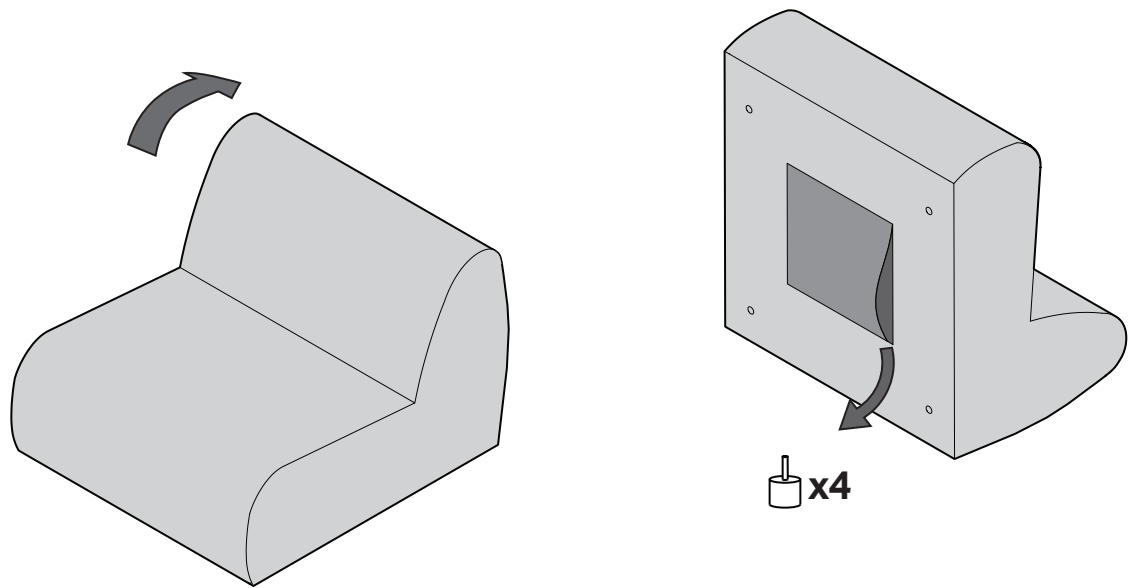
Two people are required for safe assembly

Opening Boxes:

DO NOT use a knife to open the packaging as you may damage your furniture.
Peel off the tape, then lift & separate the cardboard flaps to open.

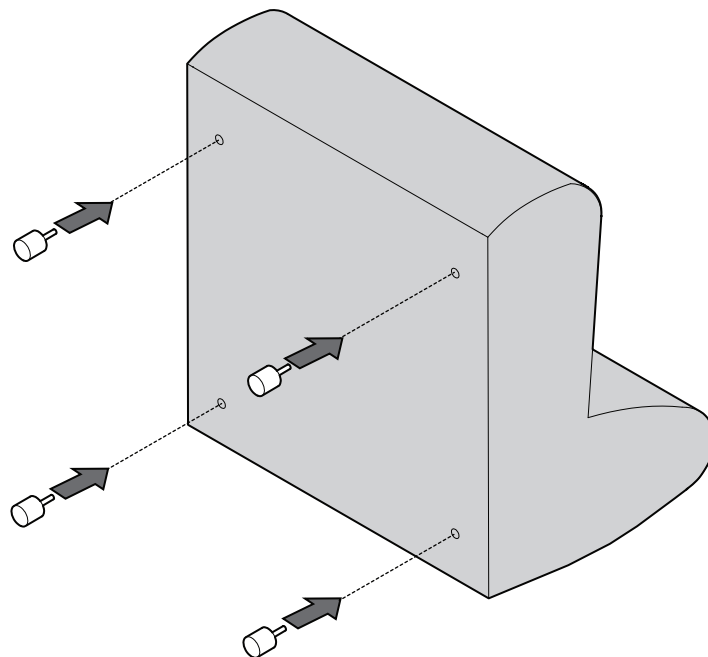
Assemble your furniture by following the instructions below.

1

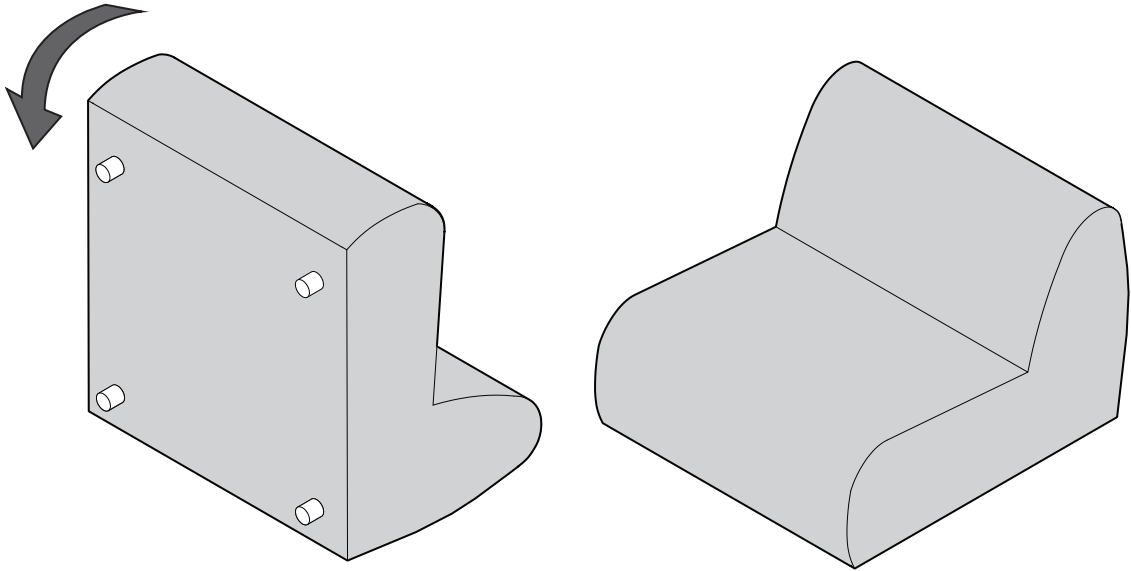


2

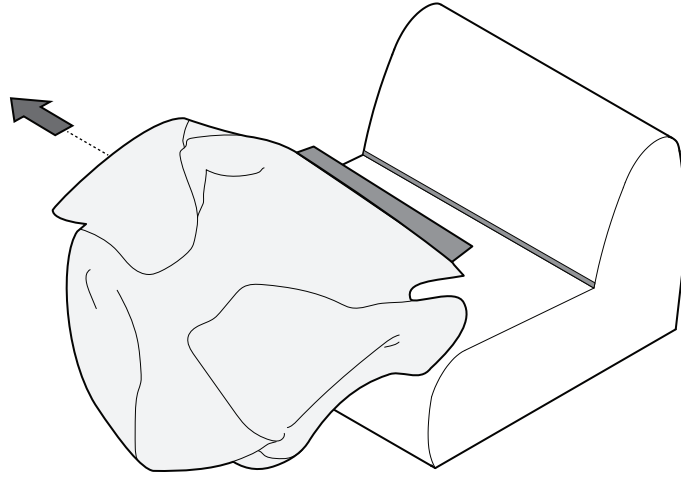
x4



3

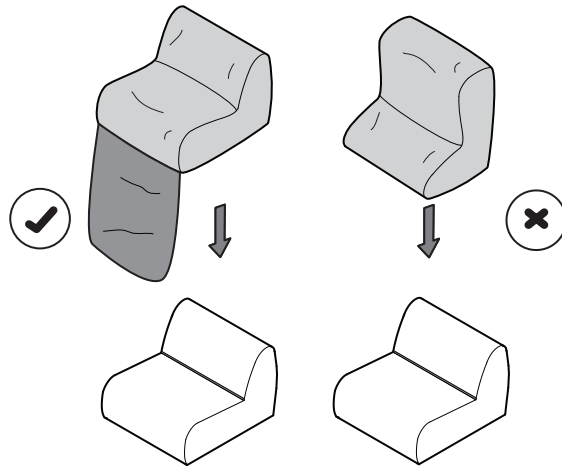


6



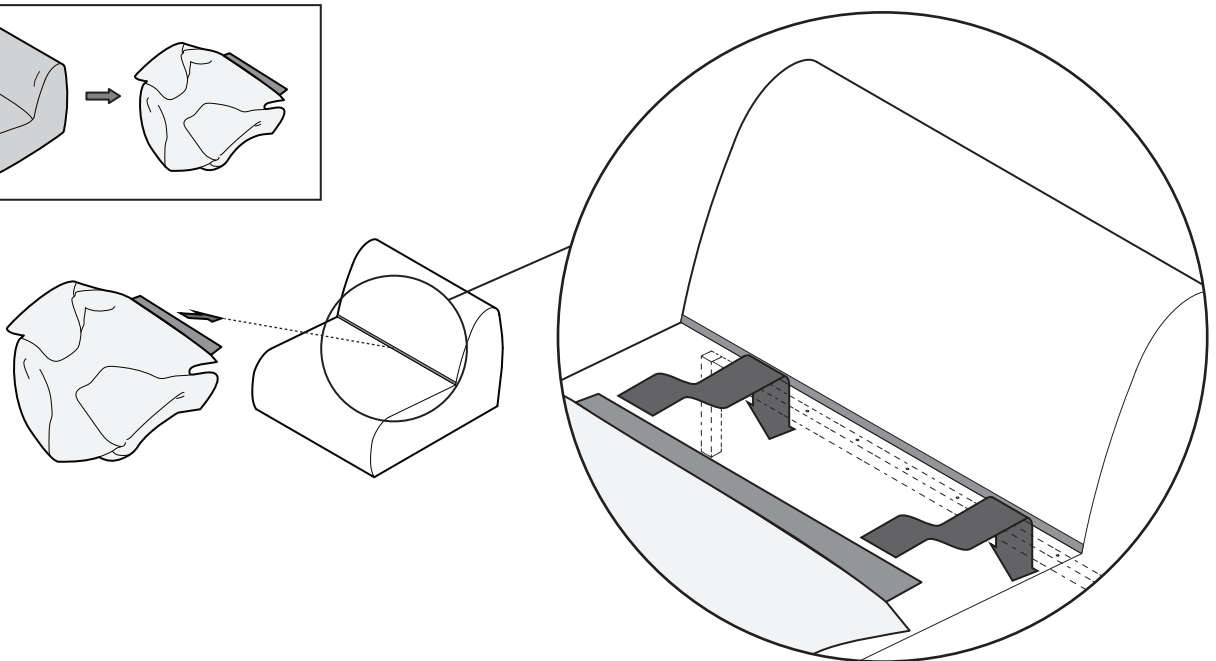
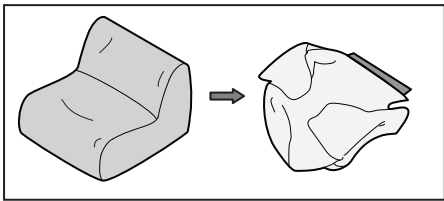
Chair & Chaise Cover Installation

1

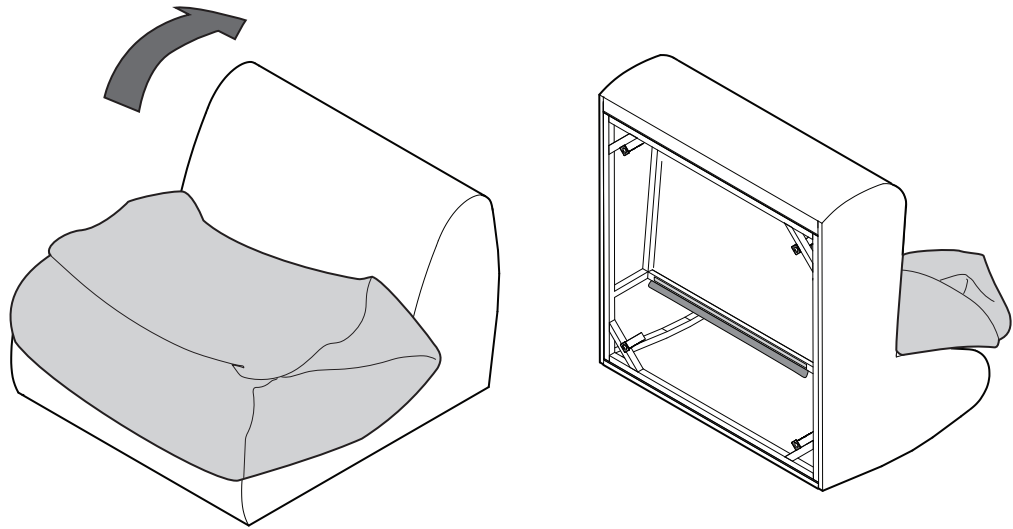


Line up side panels of cover and module before applying cover

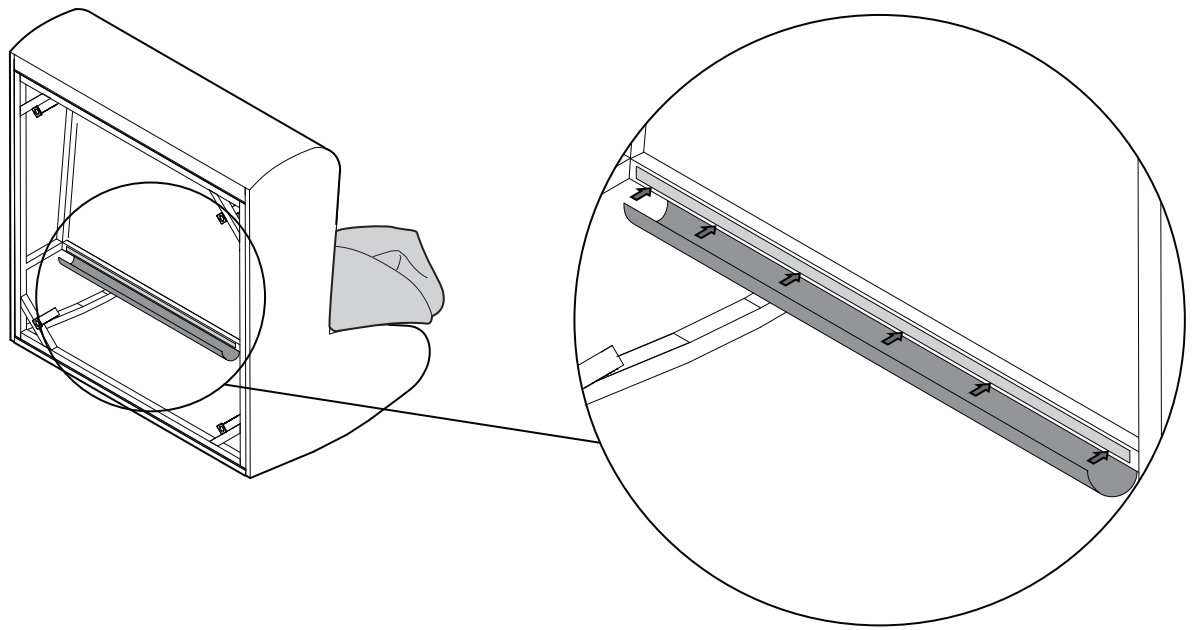
2



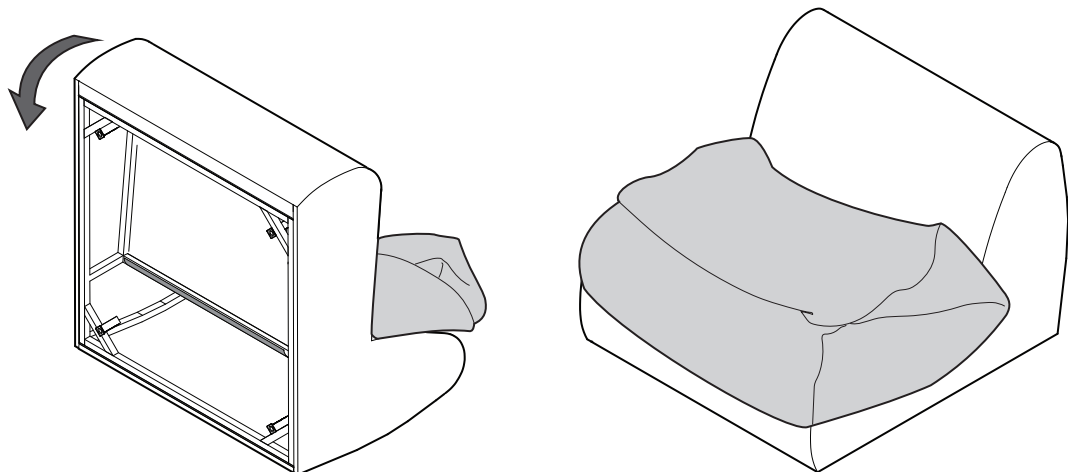
3



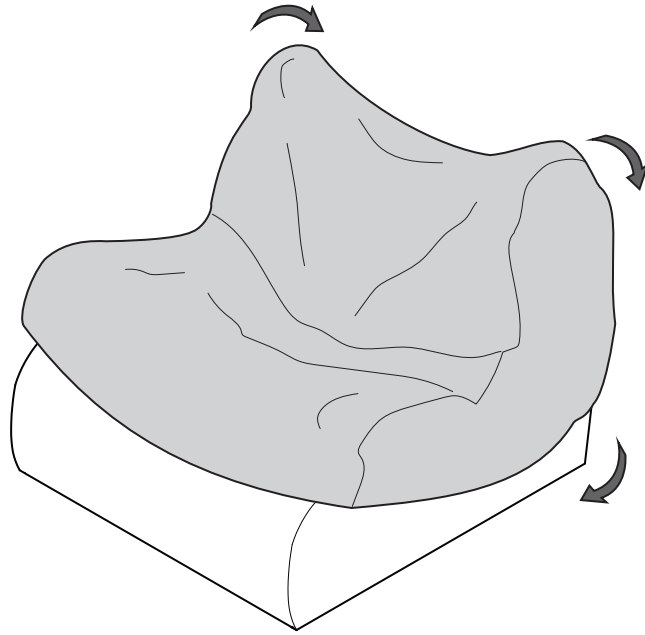
4



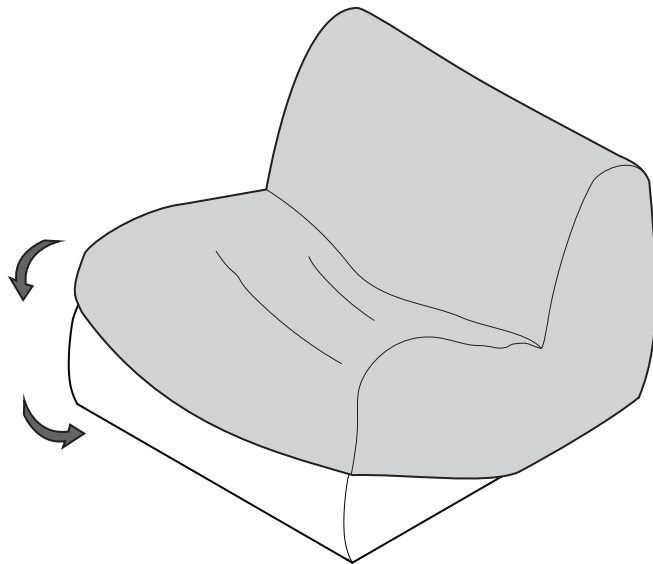
5



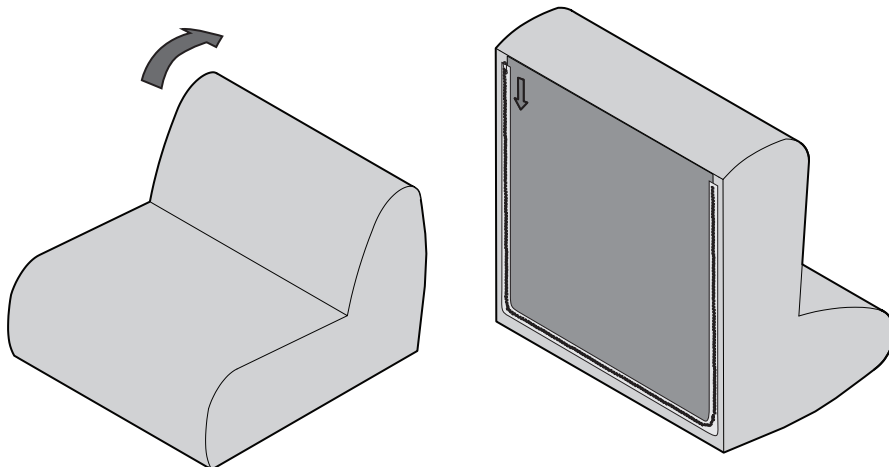
6



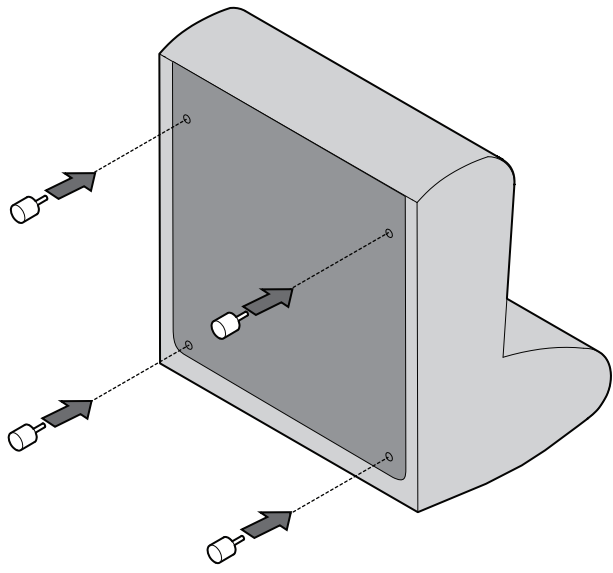
7



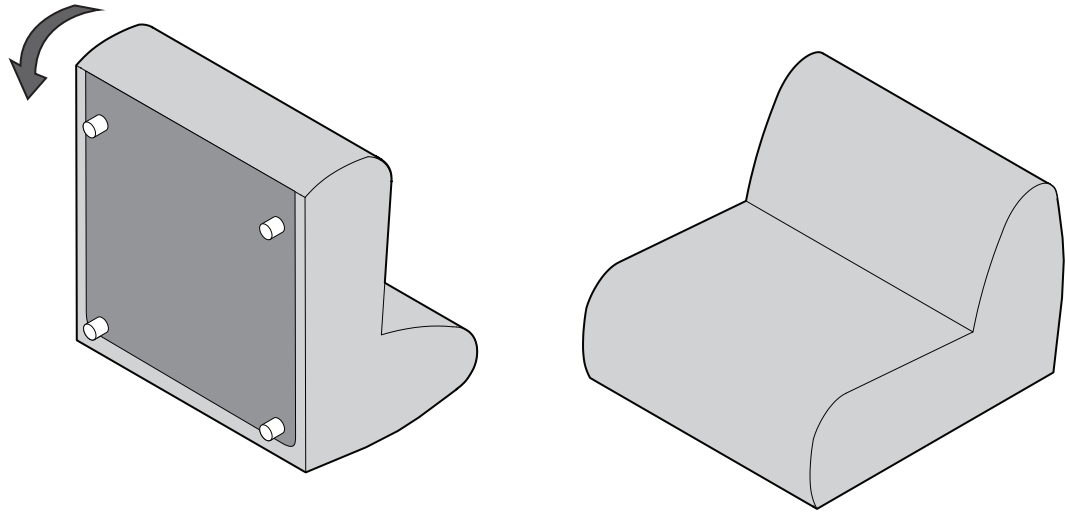
8



9

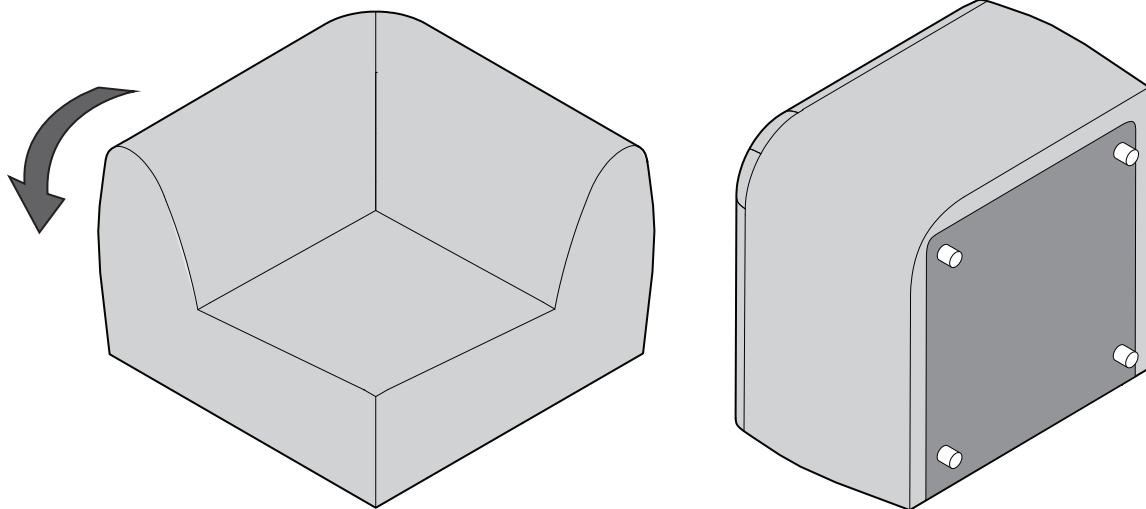


10

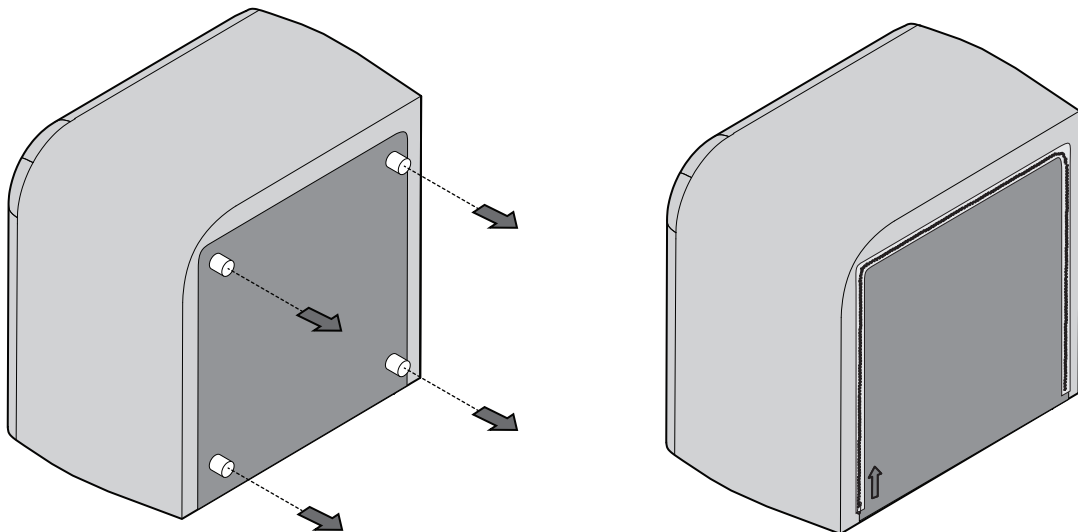


Corner Cover Removal

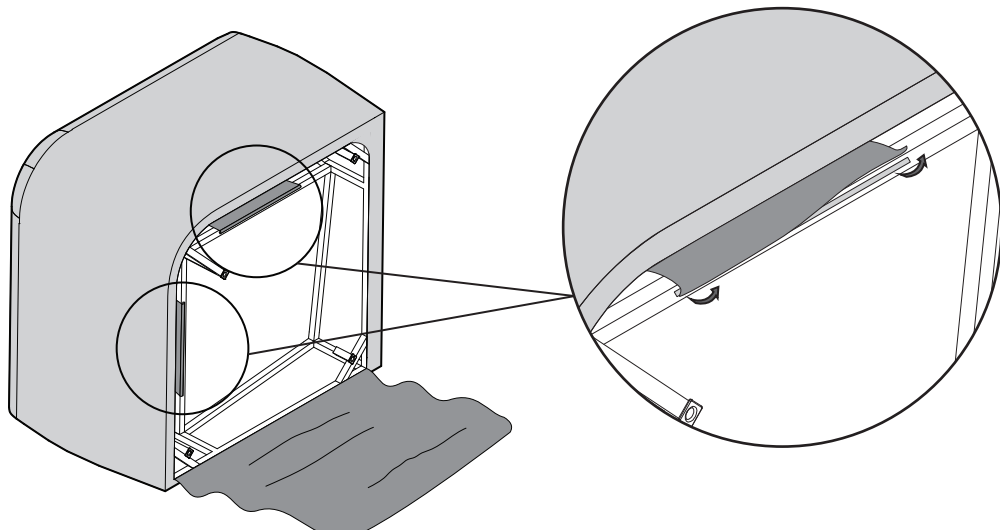
1



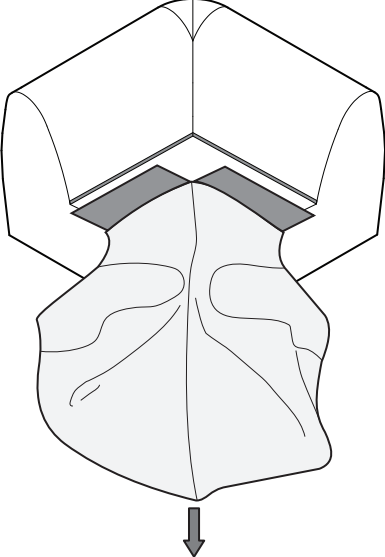
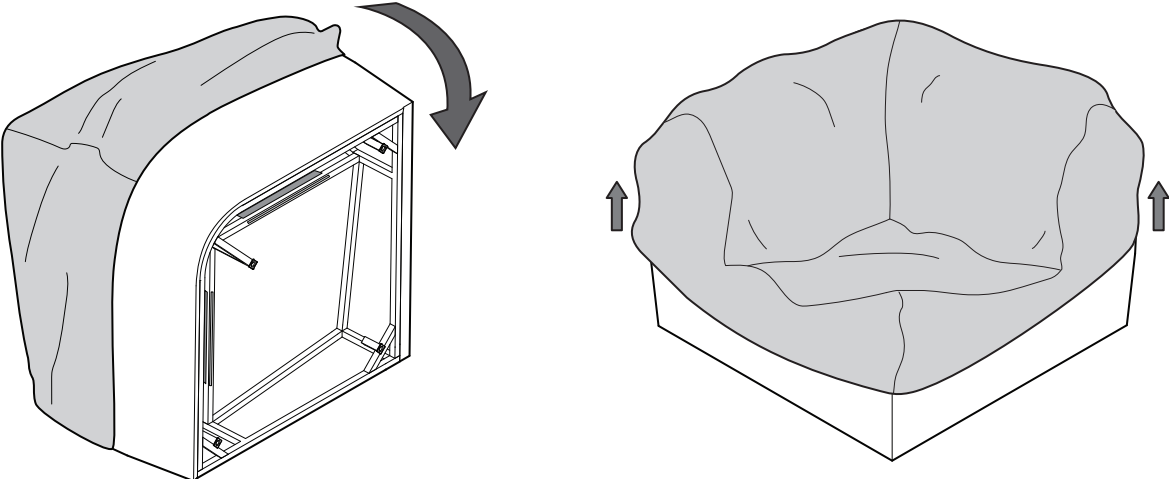
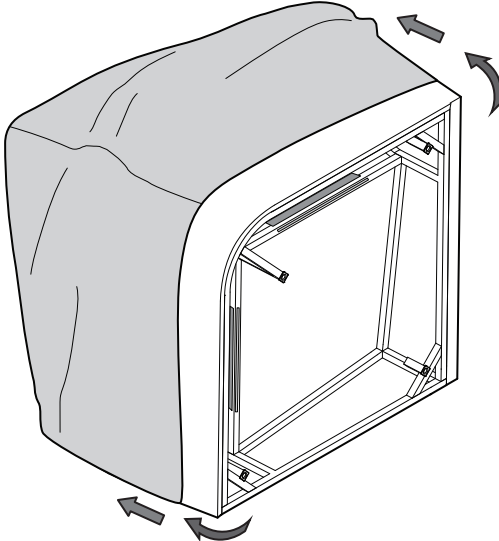
2



3

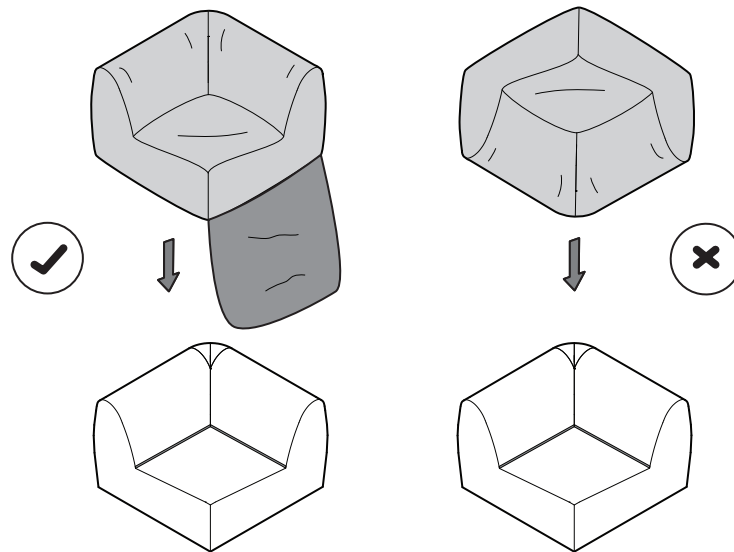


4



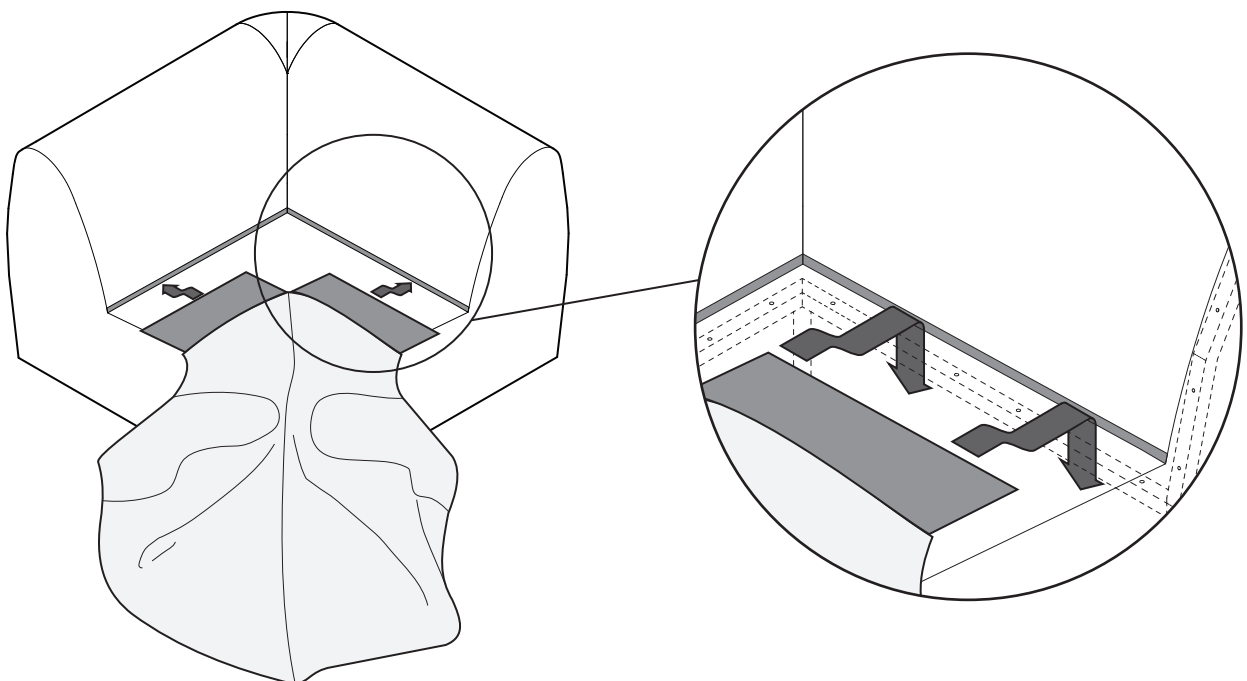
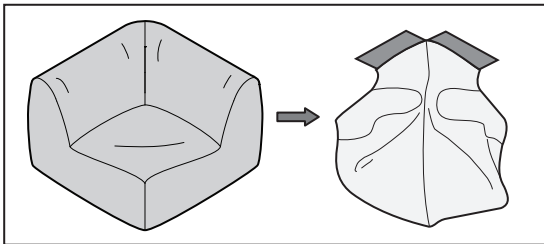
Corner Cover Installation

1

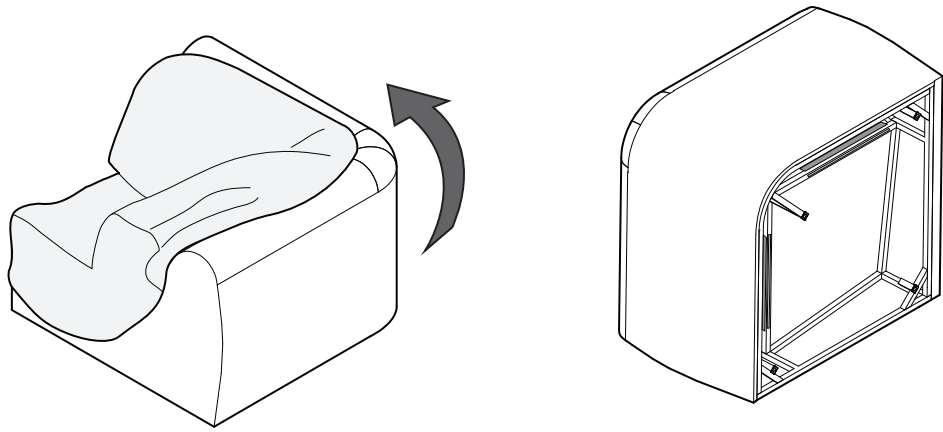


Line up side panels of cover and module before applying cover

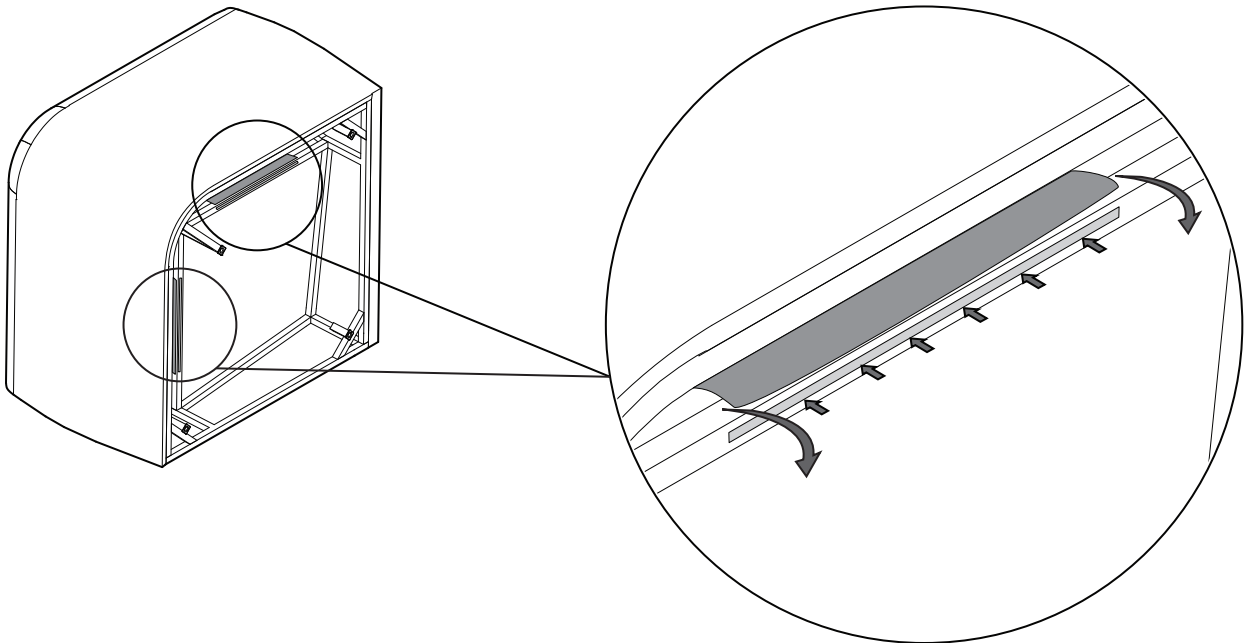
2



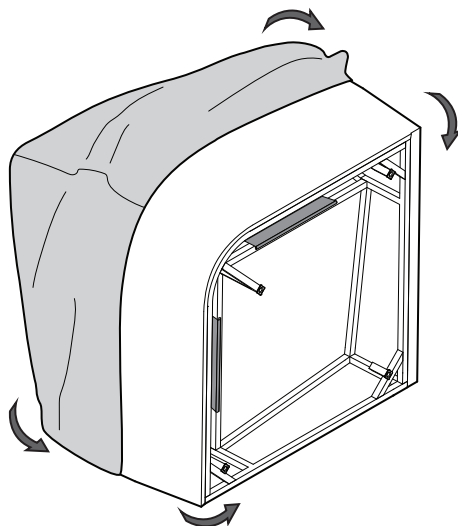
3



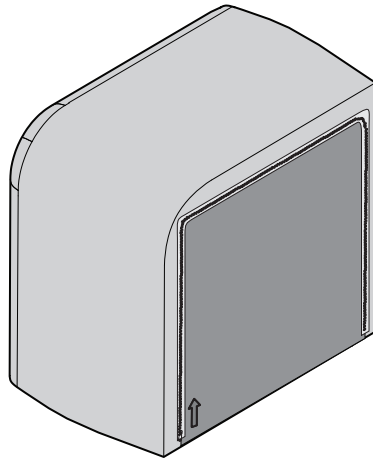
4



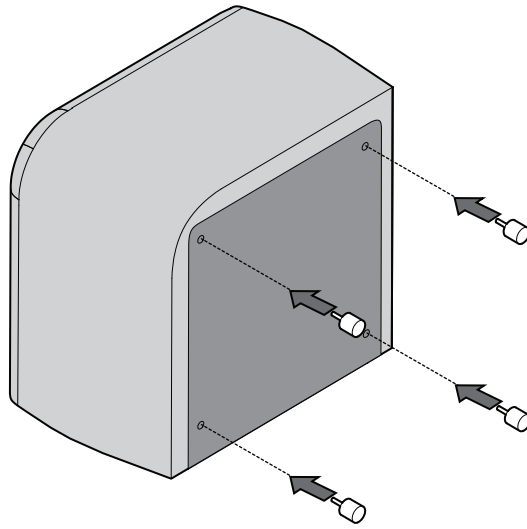
5



6



7



8

