

Myco Side Table

Assembly | User Guide

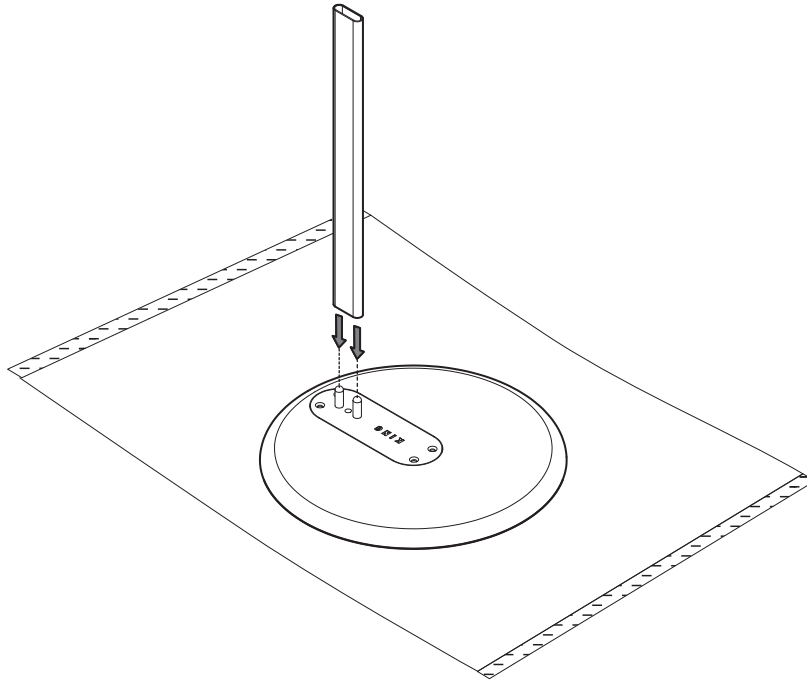
Two people are required for safe assembly

Opening Boxes:

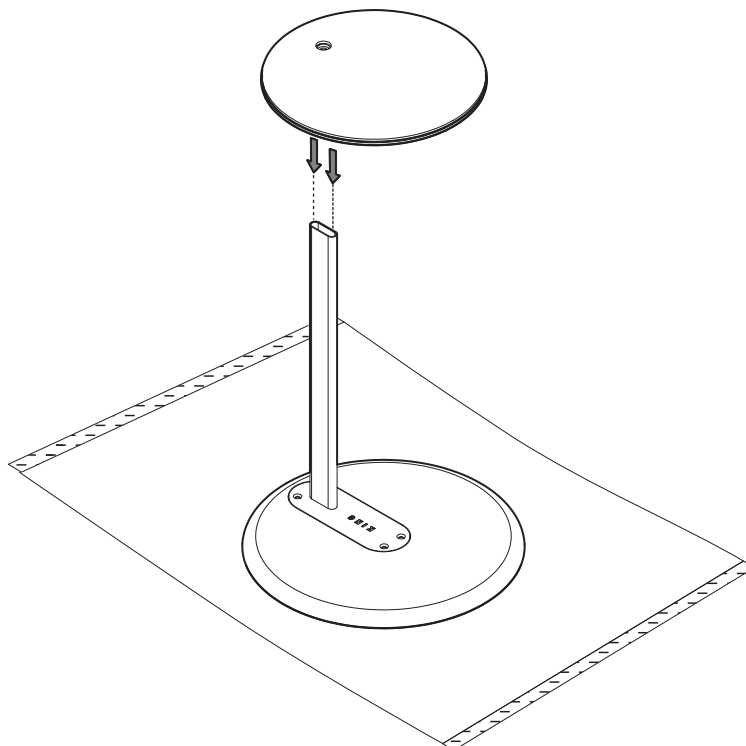
DO NOT use a knife to open the King boxes as you may damage your furniture. Peel of the tape, then lift & separate the cardboard faps to open.

Assemble your furniture by following the instructions below.

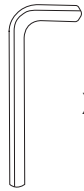
1



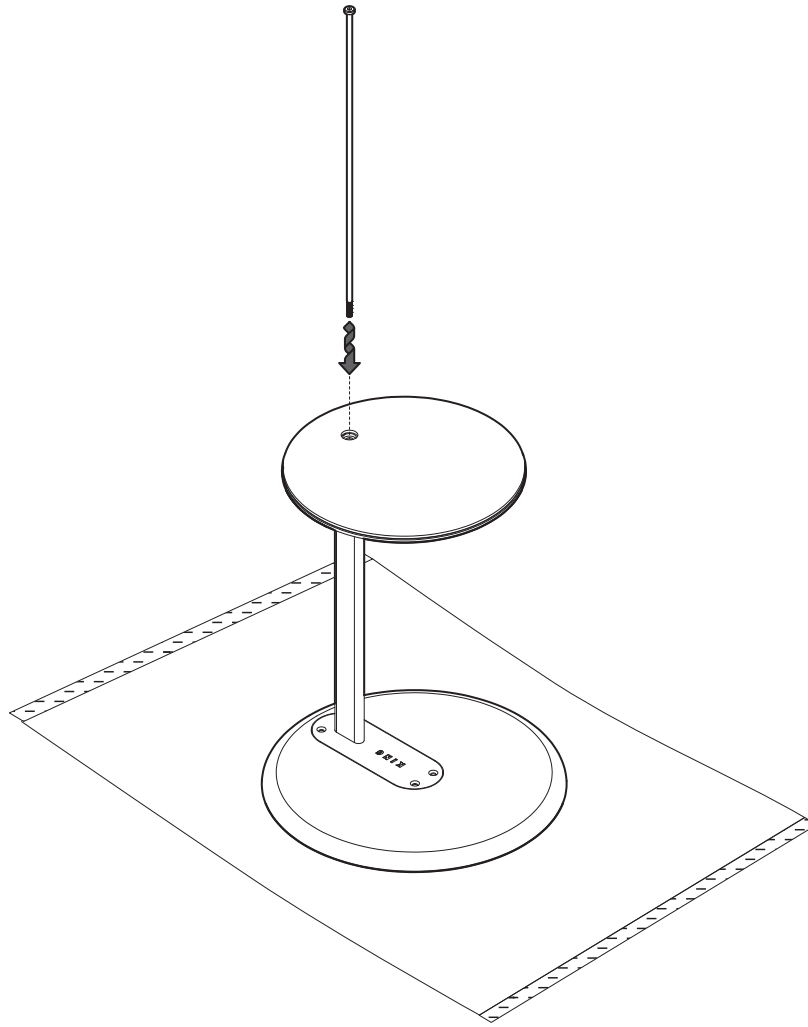
2



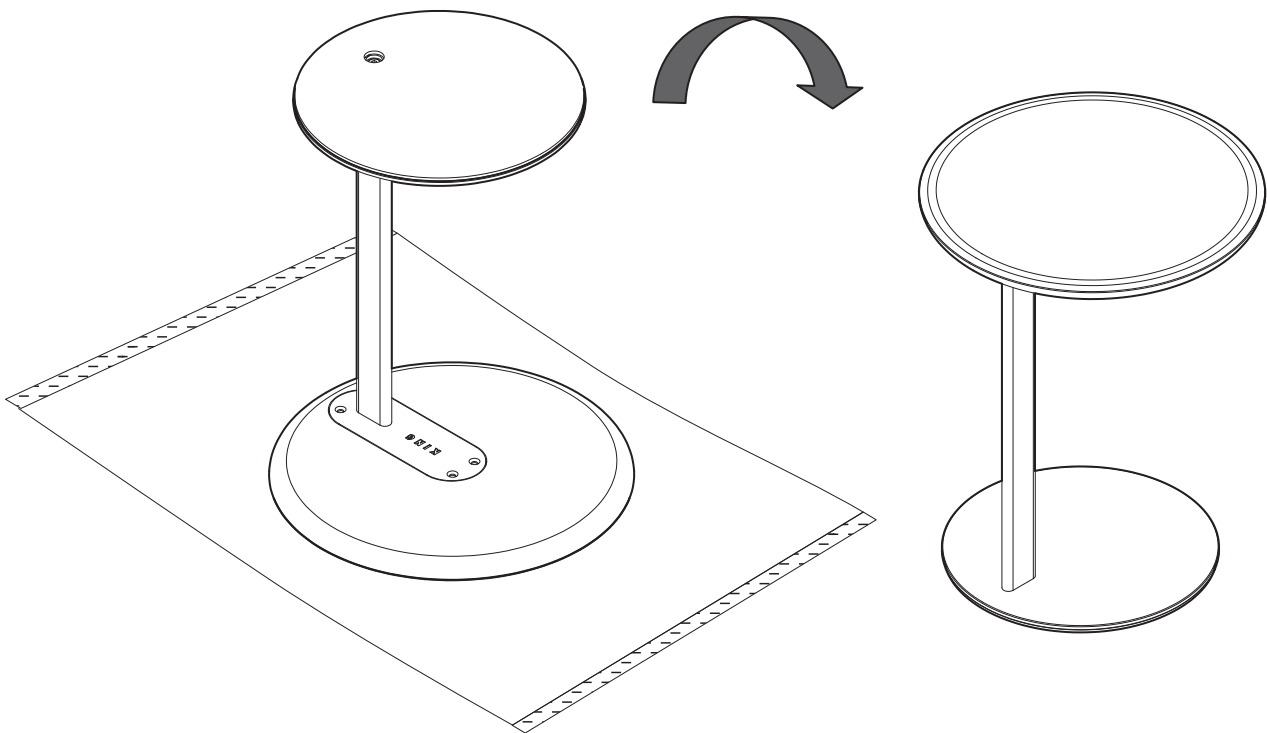
3



x1

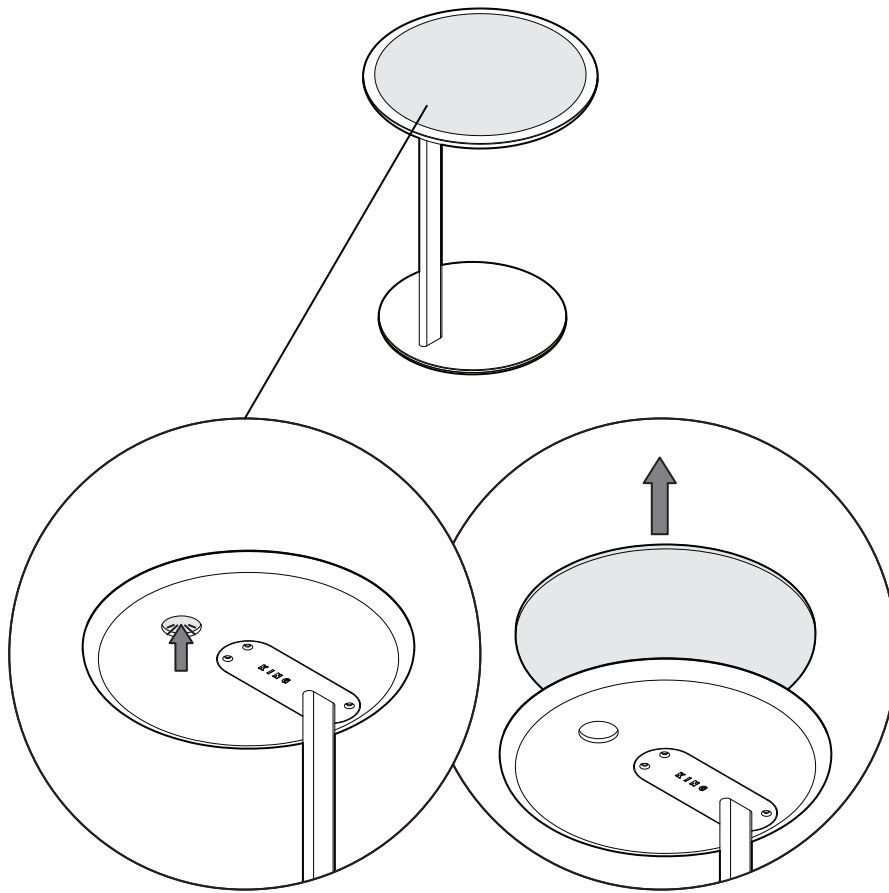


4



5

Leather Replacement



6

