

KingCove Outdoor Assembly Instructions

KING[®]
L I V I N G

Two people are required for safe assembly.

Opening Box

Ensure that you DO NOT push your knife too far into the box when cutting it open.

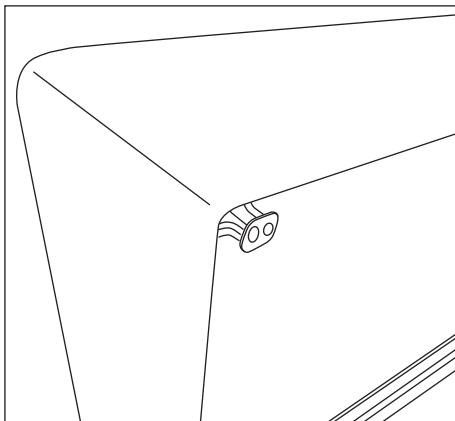
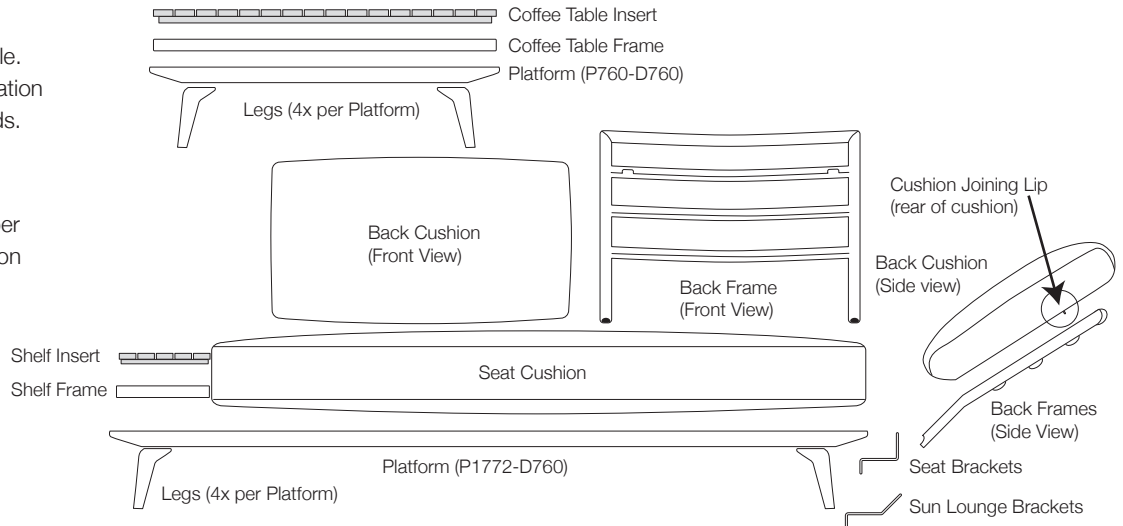
Lift the cardboard with one hand while cutting, thereby keeping the blade well away from your furniture.

To assemble your furniture please follow steps 1-24.

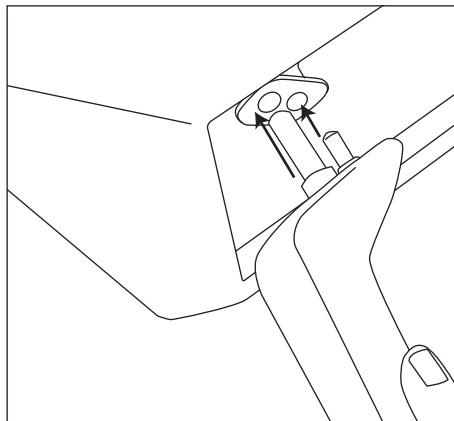
Components:

The KingCove is designed to be flexible. You can alter the KingCove's configuration & components easily to suit your needs.

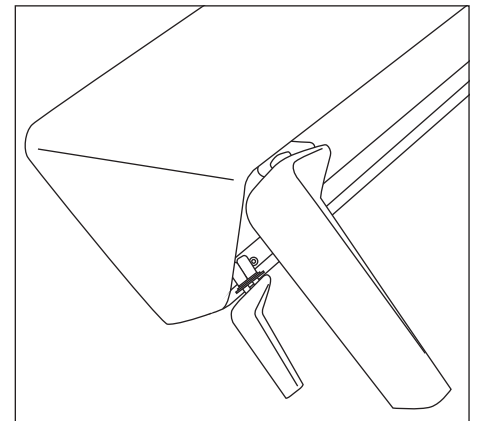
The KingCove components and configurations shown here may not reflect your exact purchase, the number of components you have will depend on which configuration or package you purchased. However, these general instructions do apply to ALL KingCove components and configurations.



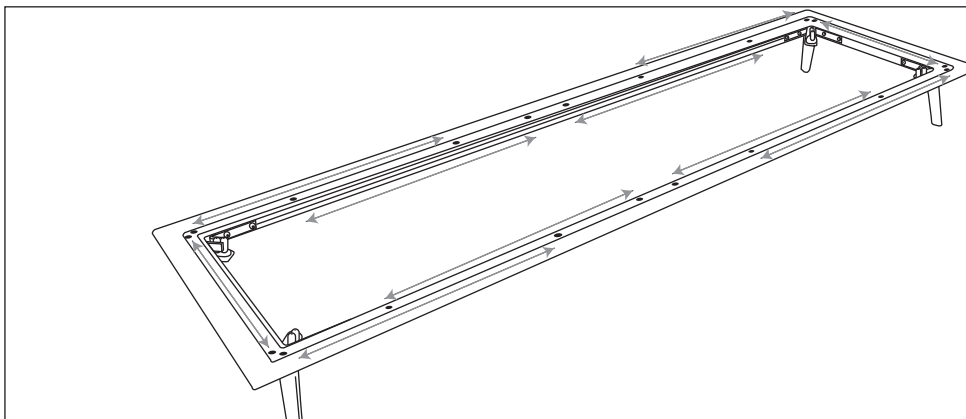
1: Carefully tilt the Platform onto its side to expose underneath. This makes it easier to attach the legs correctly.



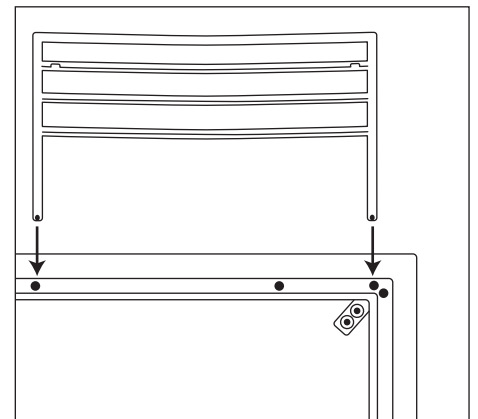
2: Insert the legs into the receiving twin holes located in each corner of the platform.



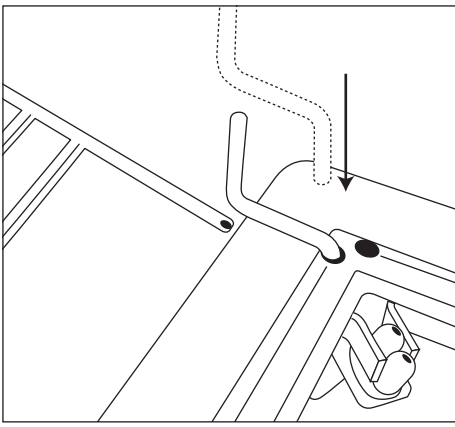
3: The leg's curved surface should be facing outward at a 45° angle (as shown).



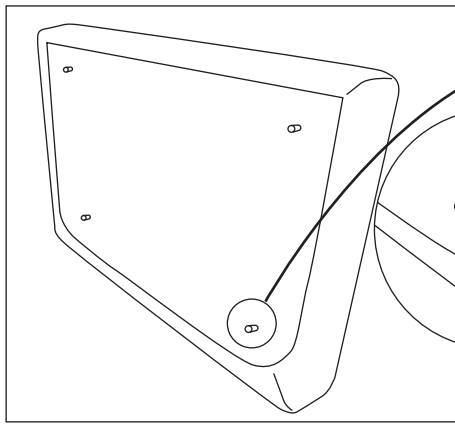
4: There are several holes around the platform. These holes work as pairs, the width of a pair matches the width of a Back Frame. This gives you various options to change the location of the Back Frames and the Shelf.



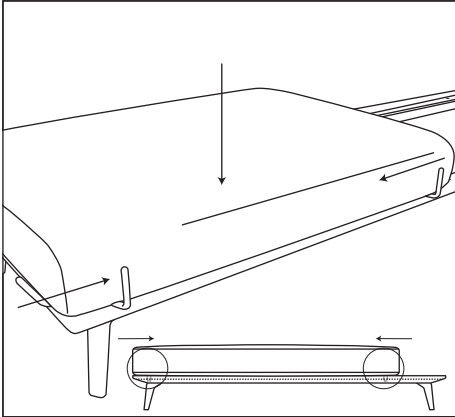
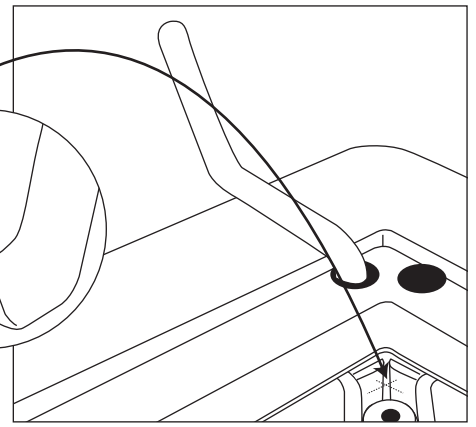
5: Place the Back Frames on the ground where you intend to fit them. Ensure the Back Frame lines up with the corresponding holes.



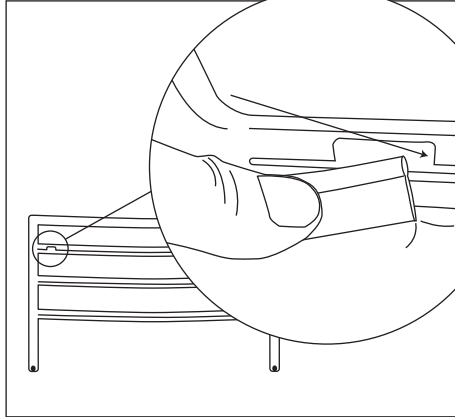
6: Push Back Brackets into the Platform holes (short part of Bracket into the Platform). It may be easier fitting Seat Cushion before fitting the Back Frames (as shown here). It's your choice.



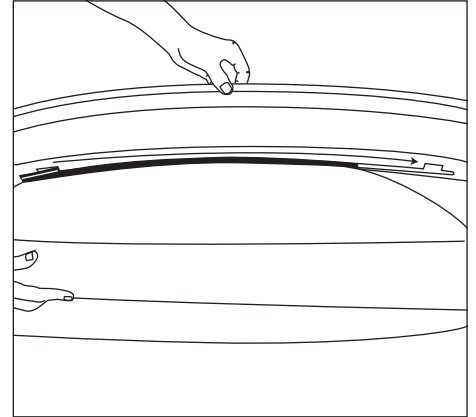
7: Fit the Seat Cushion onto the Platform. The pins under the Seat Cushion sit within the Platform preventing the Seat Cushion from sliding off. The Seat Cushion is designed to sit on top of the platform (i.e. it is not permanently fixed in position). **DO NOT pull or drag the KingCove by the Seat Cushion.**



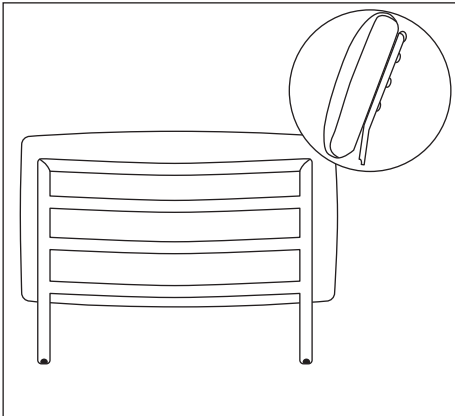
8: Check Seat Cushion position: Try sliding the Seat Cushion to check for movement. Too much movement indicates the Seat Cushion (& Pins) may NOT be correctly positioned.



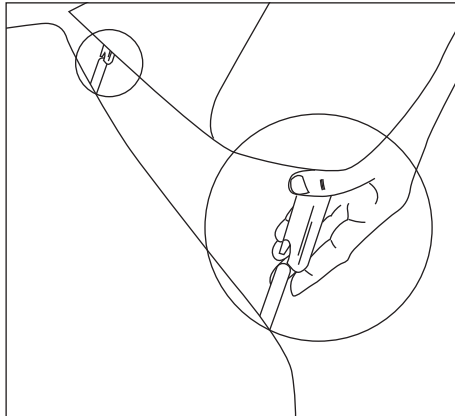
9: Insert the Back Cushion's Joining Lip (located behind the Back Cushion) by 'threading' it into the groove on the rung of the Back Frame.



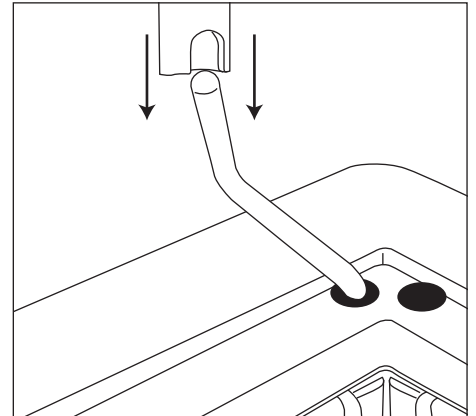
10: Slide the Cushion's Joining Lip all the way along the groove to secure the Back Cushion to the Back Frame.



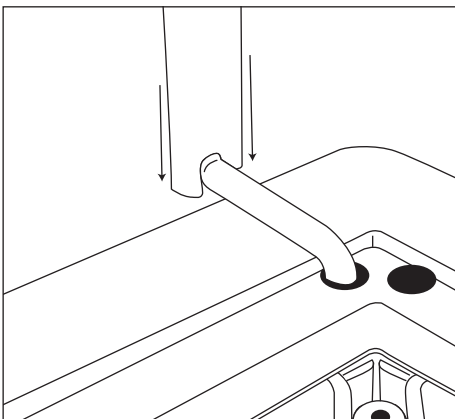
11: Back Frames (with Back Cushions attached) may now be fitted onto the Platform using the Back Brackets (already inserted onto the Platform).



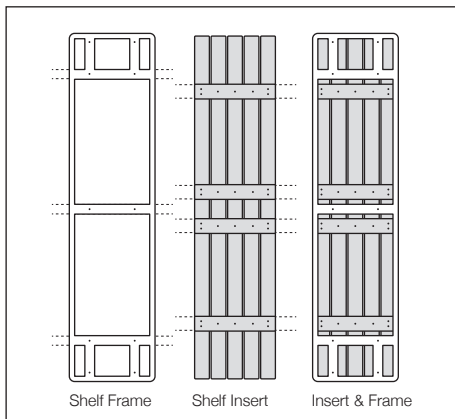
12: Line-up Back Frame Arms to the Brackets.



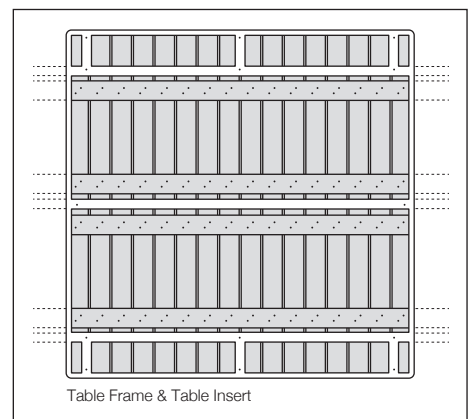
13: Insert Back Frame onto the Back Brackets and push down. The Platform above is shown without Seat Cushion (for clarity).



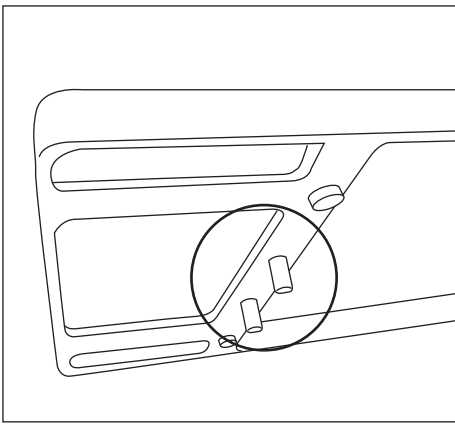
14: Push Back Frame evenly all the way down to join securely to the Bracket. The Platform above is shown without Seat Cushion (for clarity).



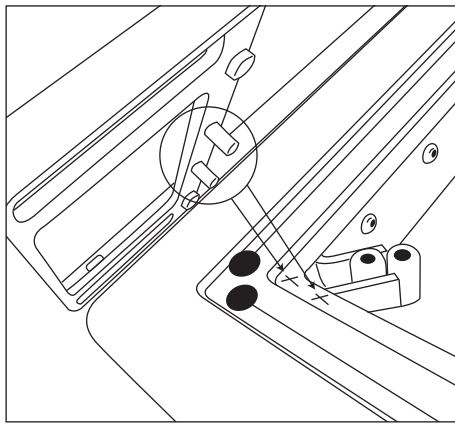
15: The Shelf Insert fits onto the Shelf Frame with support slats running parallel (bottom view).



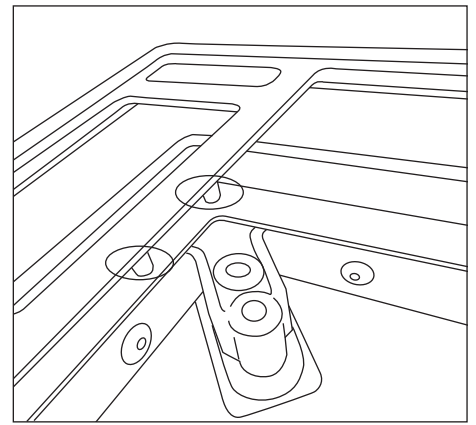
16: The Coffee Table Insert fits onto the Coffee Table Frame with support slats running parallel (bottom view).



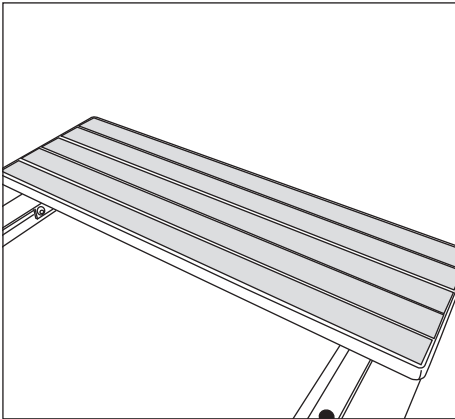
17: Shelf Frame with positioning pins located underneath (bottom view).



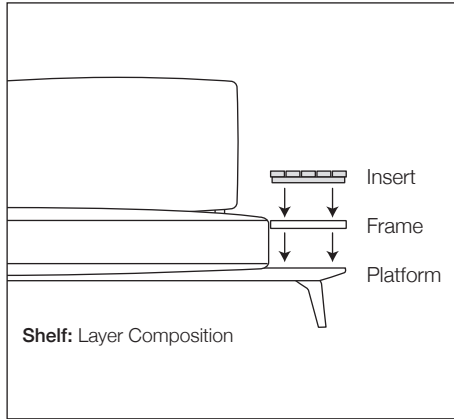
18: Carefully lower the Frame into place over the Platform. The pins sit inside the platform and prevent the Frame from sliding off.



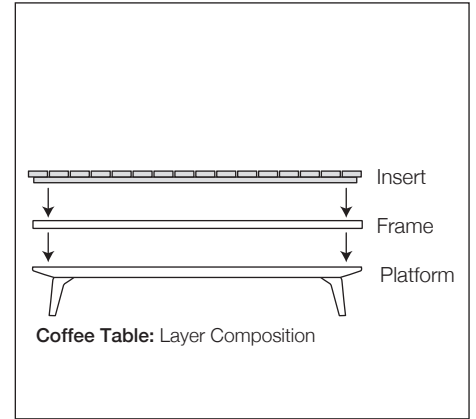
19: Shelf Frame with pins sitting inside the Platform.



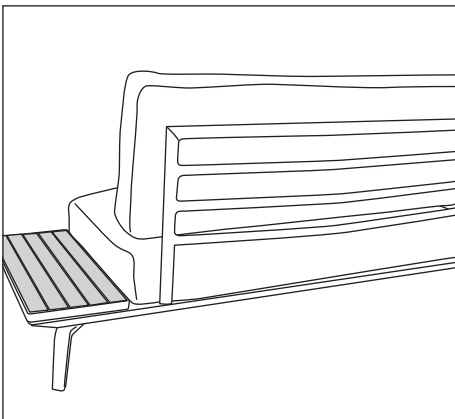
20: When the Shelf Frame (or Table Frame) is sitting on top of a Platform you can add the Shelf Insert (or Table Insert).



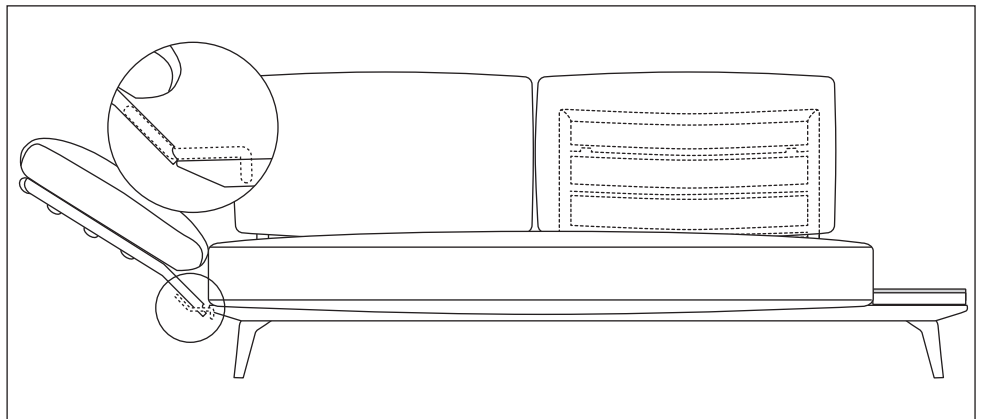
21: A Shelf Insert fits onto a Shelf Frame. A Shelf Frame fits onto a Platform.



22: A Coffee Table Insert fits onto a Coffee Table Frame. A Coffee Table Frame fits onto a Platform.



23: Back View: KingCove is now set up. There are various possible configurations for KingCove – ALL use the same Assembly Instructions.



24: Components used for the above: **KingCove 2 Seater with Shelf & Sun Lounge Brackets:** 1x Platform (with 4x Legs); 1x Seat Cushion; 3x Back Frames; 3x Back Cushions; 4x Back Brackets; 2x Sun Lounge Brackets; 1x Shelf Frame; 1x Shelf Insert.