

King Boulevard

Assembly Instructions

KING[®]
L I V I N G

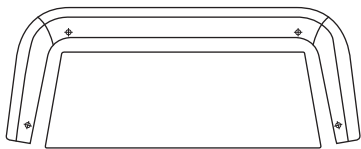
Two people are required for safe assembly.

Opening Box

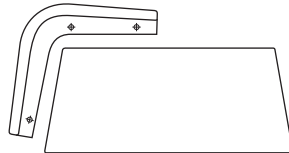
Ensure that you DO NOT push your knife too far into the box when cutting it open.

Lift the cardboard with one hand while cutting, thereby keeping the blade well away from your furniture.

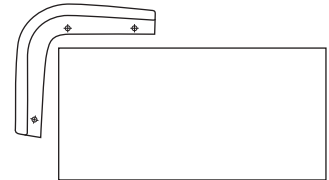
To assemble your furniture please follow the steps below.



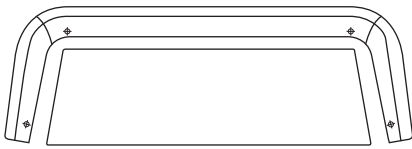
ABU Angled Back 2525 x 970
2.5 STR Base



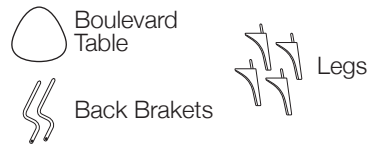
AB Corner Angled
2 STR Base



2 STR Base Square
AB Corner Square



ABU Angled Back 2910 x 970
3 STR Base



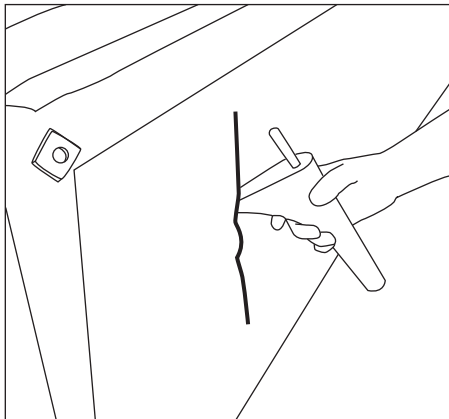
King Boulevard AB1540



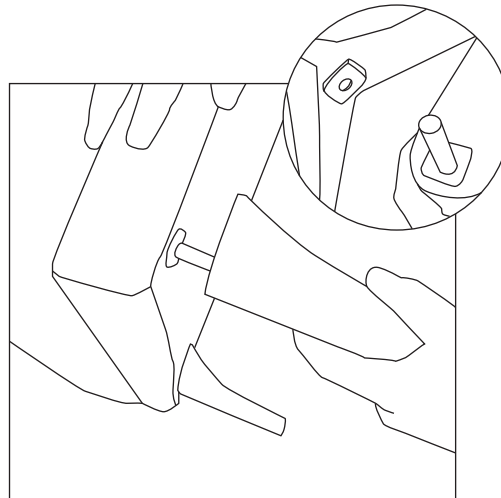
King Boulevard AB770



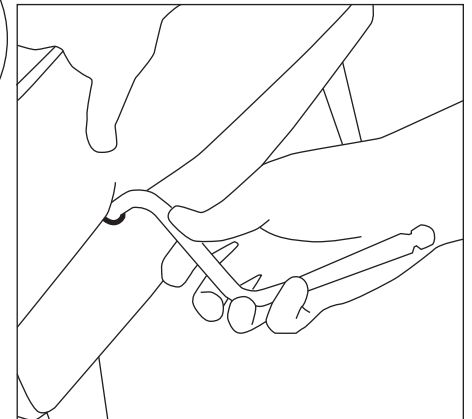
3 STR Base Square



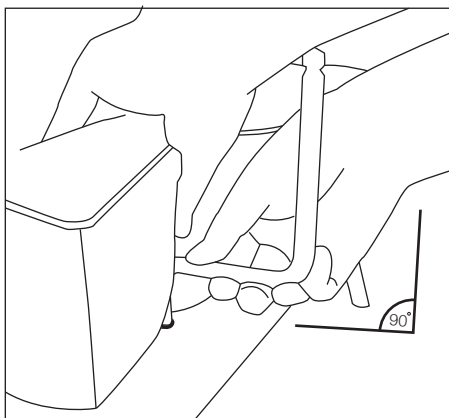
1



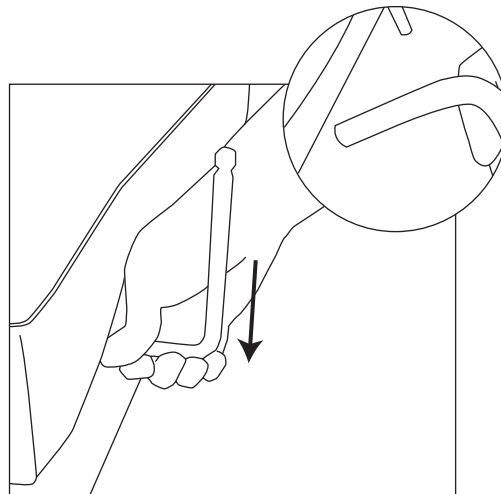
2



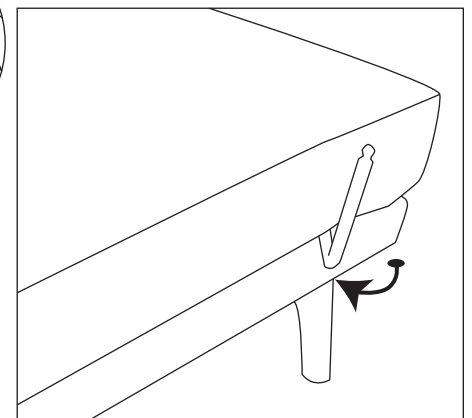
3



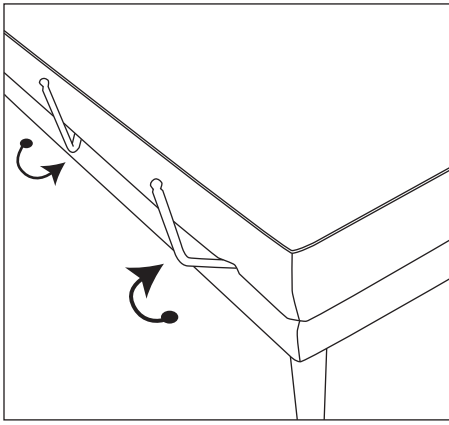
4



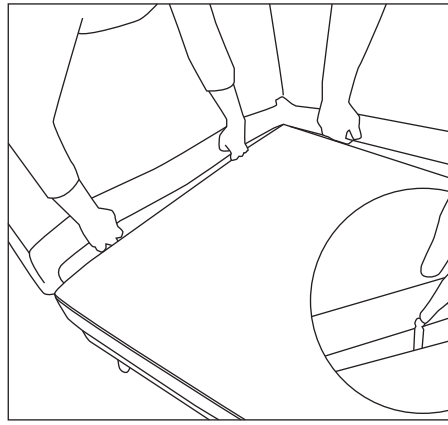
5 To enable the Bracket to rotate correctly, it must be fully inserted



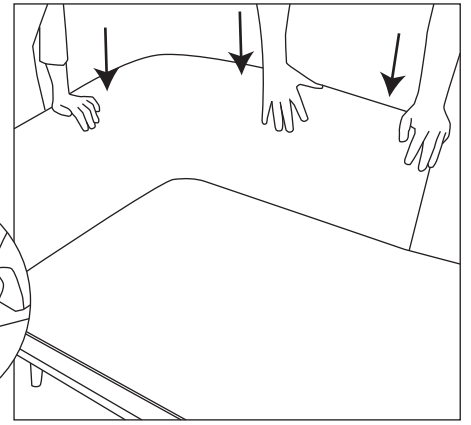
6



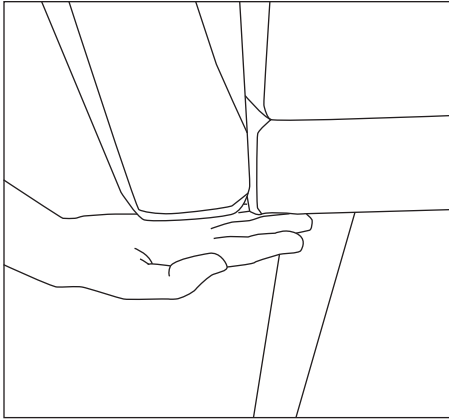
7



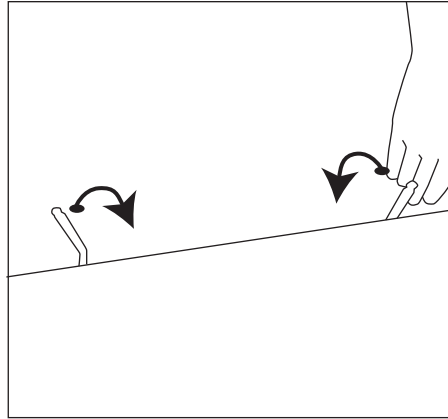
8 Keep Angle Back upright and push down evenly.



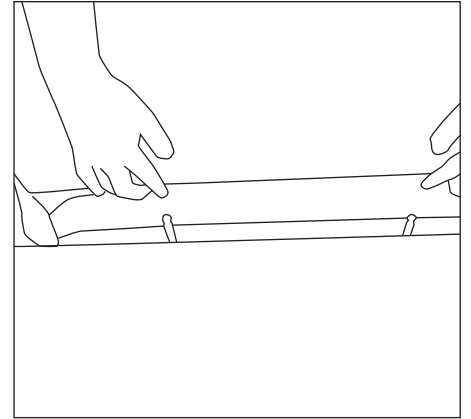
9



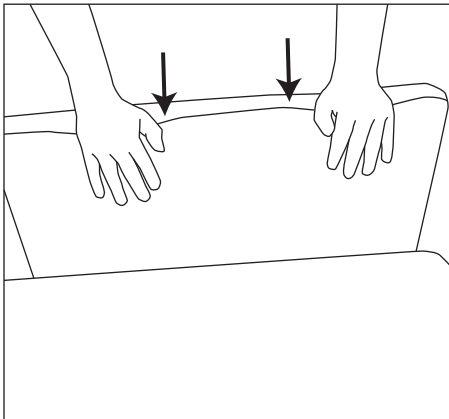
10 Align the base of the platform with the base of Arm/Back



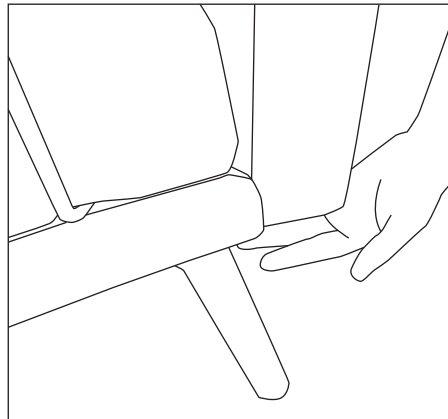
11



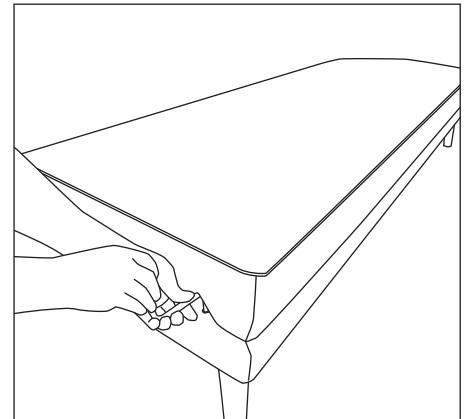
12



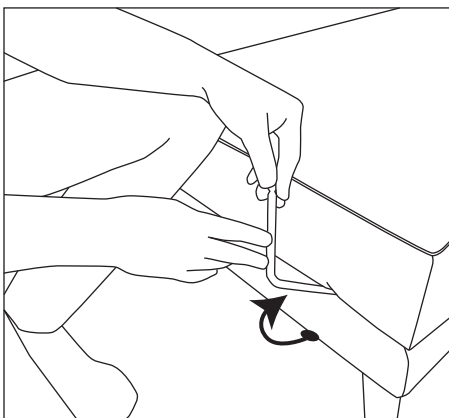
13 Keep vertical and push down evenly.



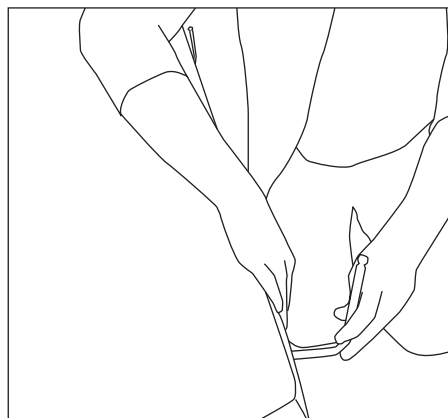
14



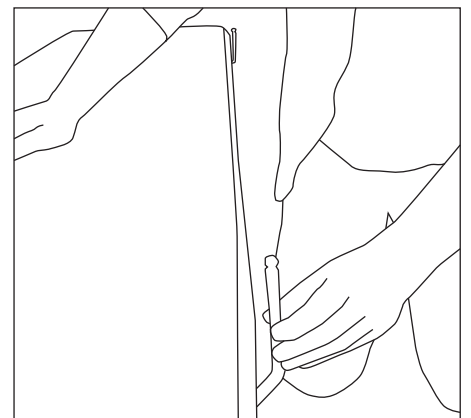
15 Assembling 3 Seater ABU



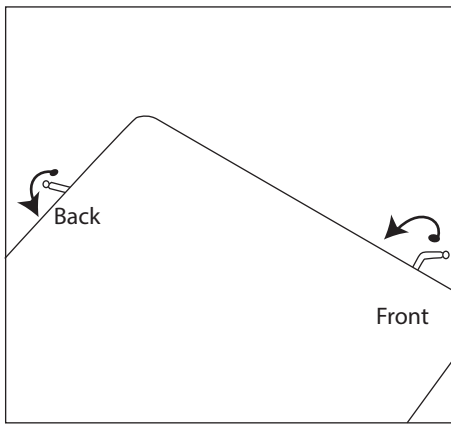
16



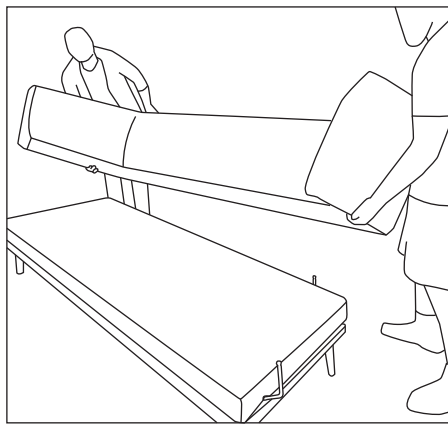
17



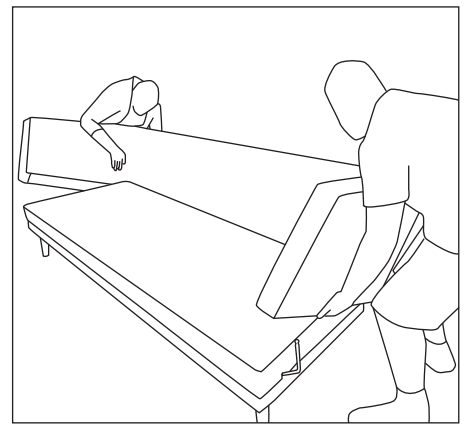
18



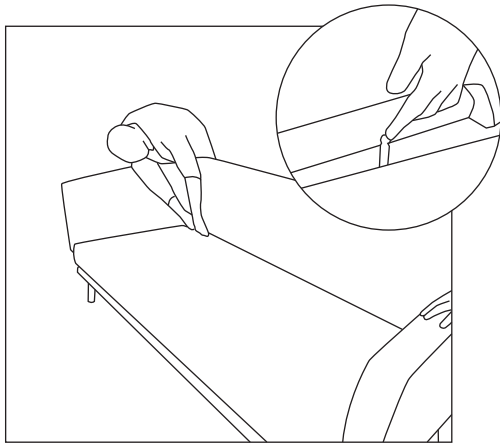
19



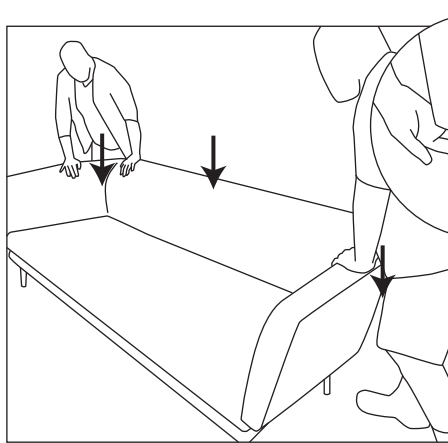
20



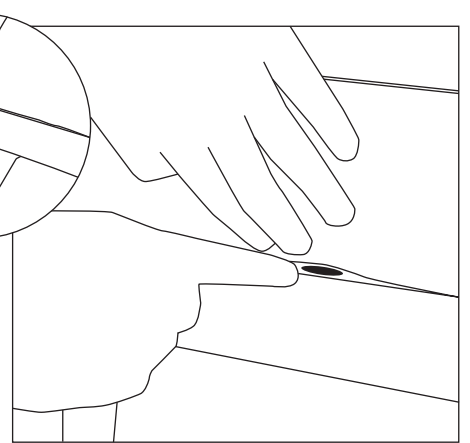
21



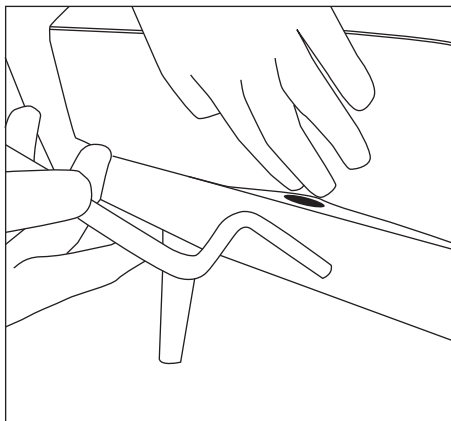
22 Ensure the ABU is upright before pushing down evenly.



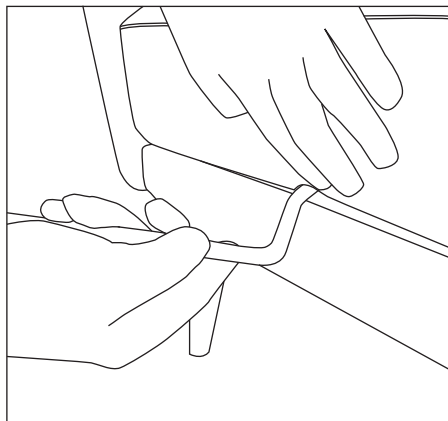
23



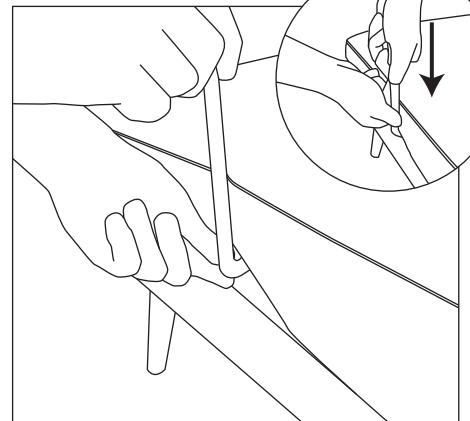
24 Locate the bottom Knock-in hole.



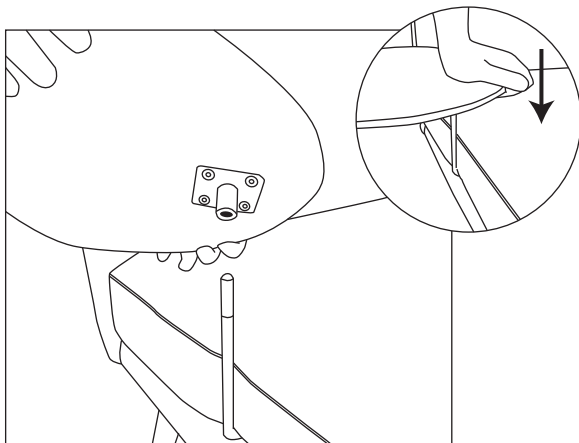
25



26



27



28