

Edge
Cosmo Sideboard – D815
Assembly | User Guide

K I N G

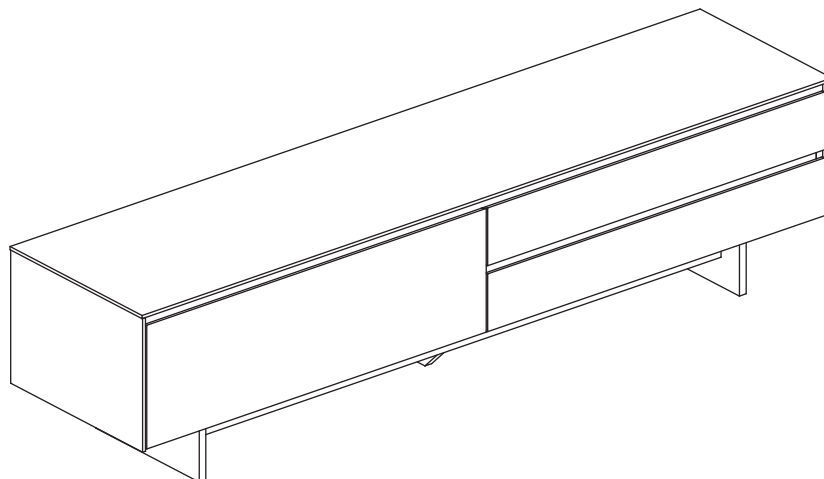
⚠ WARNING



Children have died from furniture tipover.

- ALWAYS secure your television with an anchor device.
- NEVER allow children to stand, climb or hang on drawers, doors, or shelves.

CATEGORY 2



Edge Cosmo Sideboard – D815

Assembly | User Guide

K I N G



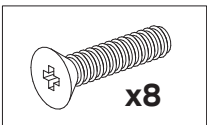
Product Care

Two people required for safe assembly

Opening Boxes: DO NOT use a knife to open the packaging as you may damage your furniture. Peel-off the tape, then lift and separate the cardboard flaps to open.

Please follow these Assembly | User Guide Instructions

Hardware List



1

Assembly

