

Delta 5 Sofa Full Assembly Instructions

K I N G

2 Seater Storage Base Assembly

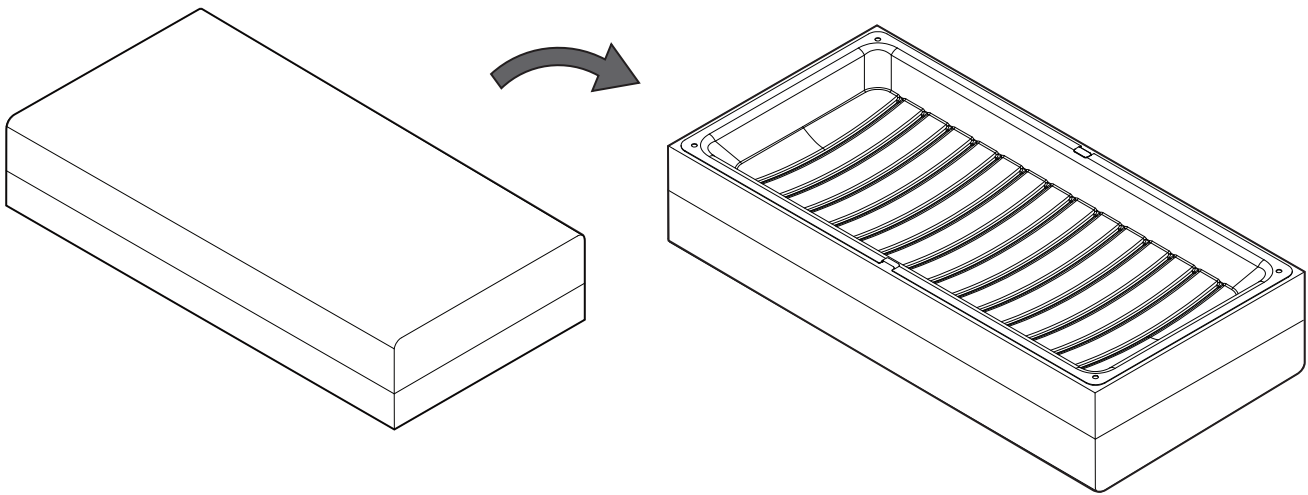
Two People Are Required For Safe Assembly.

Opening Boxes:

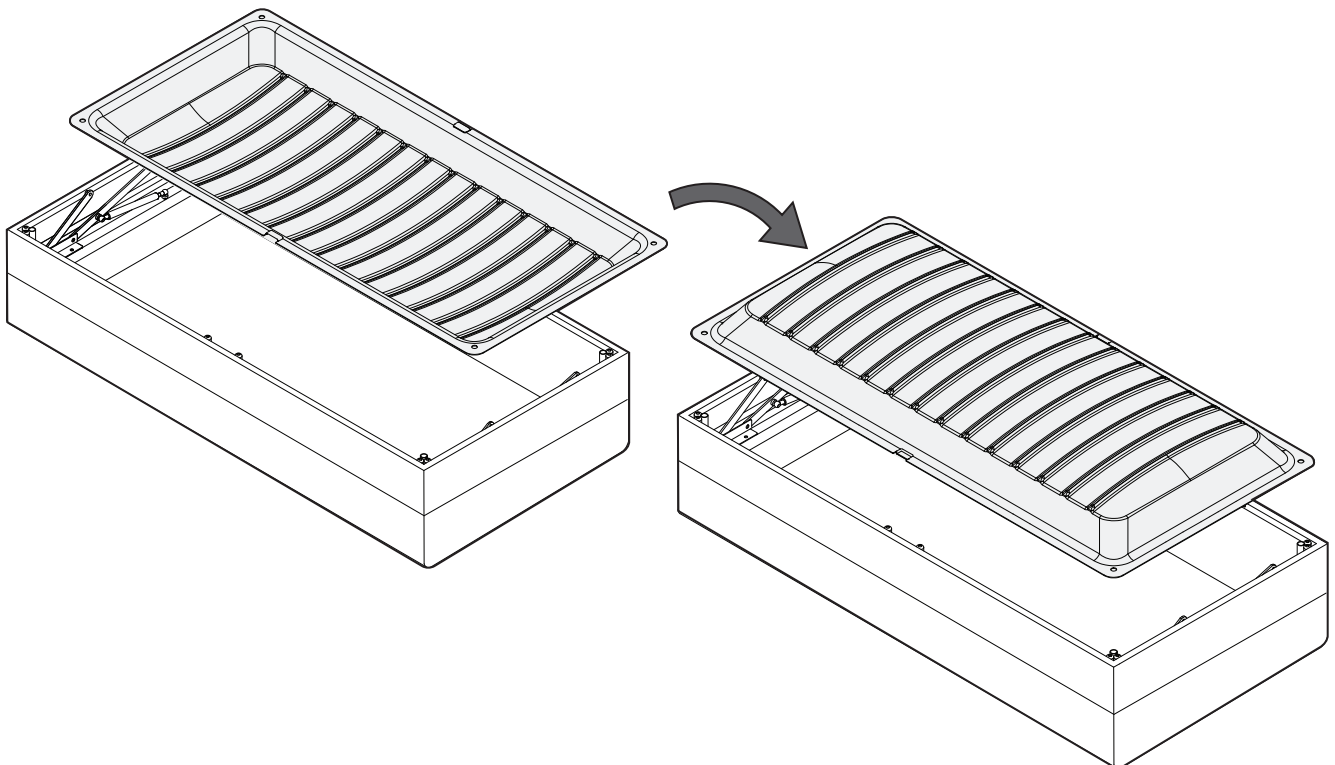
DO NOT use a knife to open the King boxes as you may damage your furniture. Peel off the tape, then lift & separate the cardboard flaps to open.

Assemble your furniture by following the instructions below.

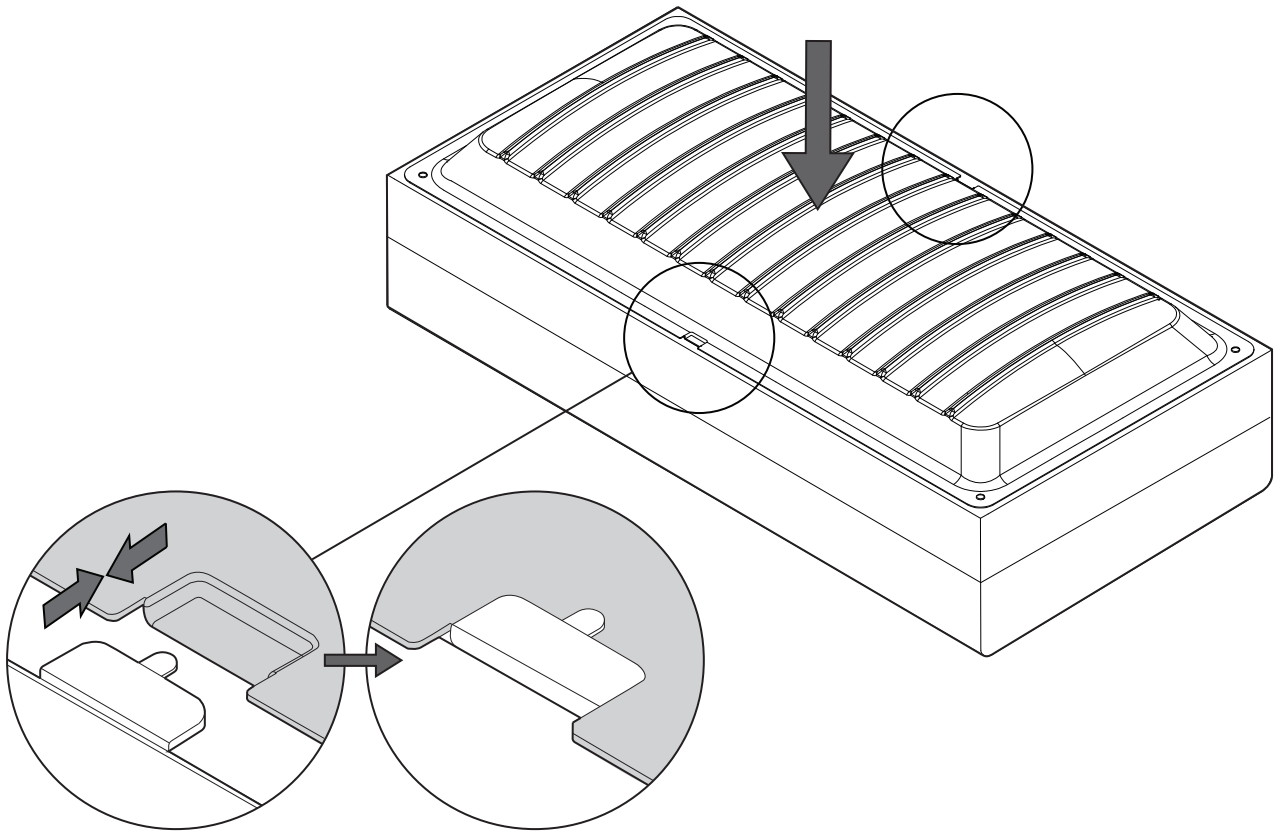
1



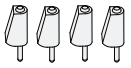
2



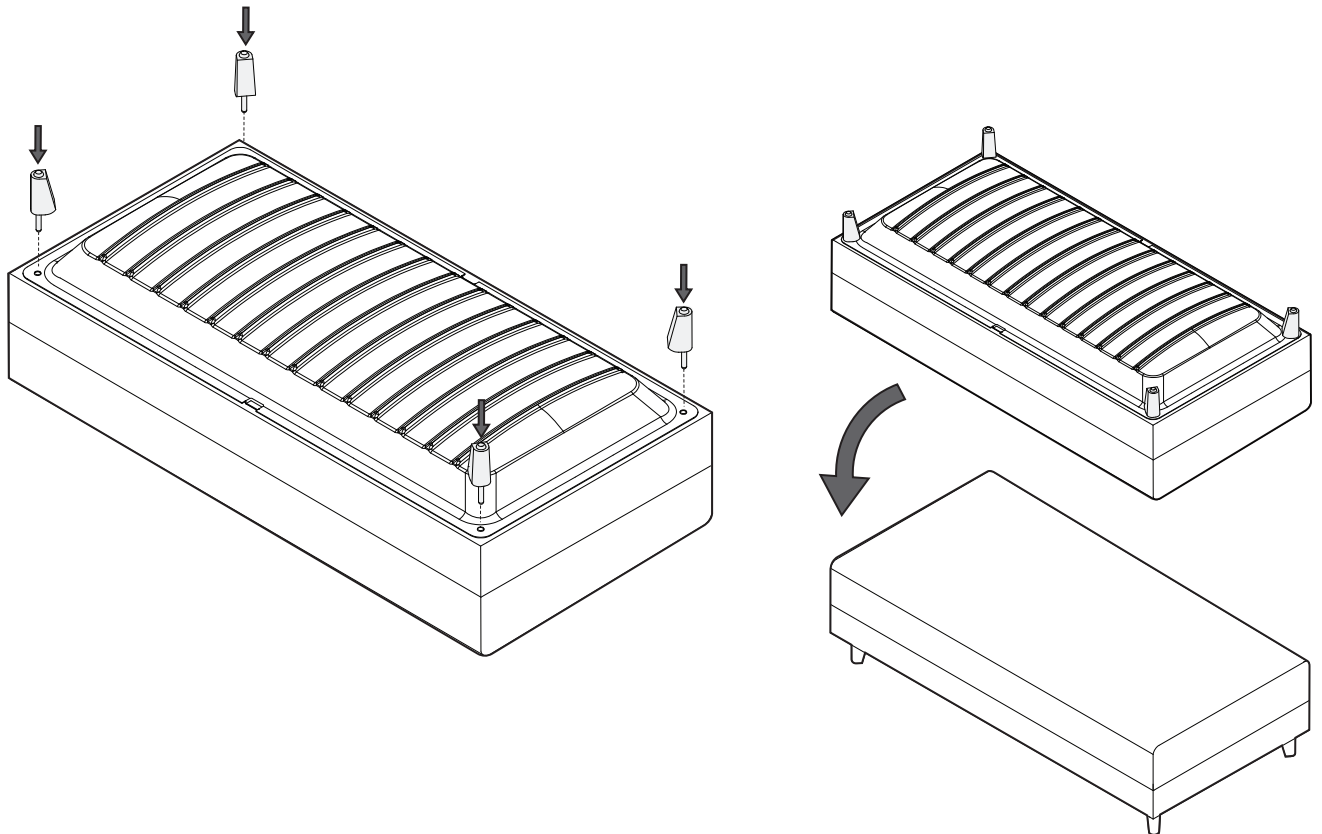
3



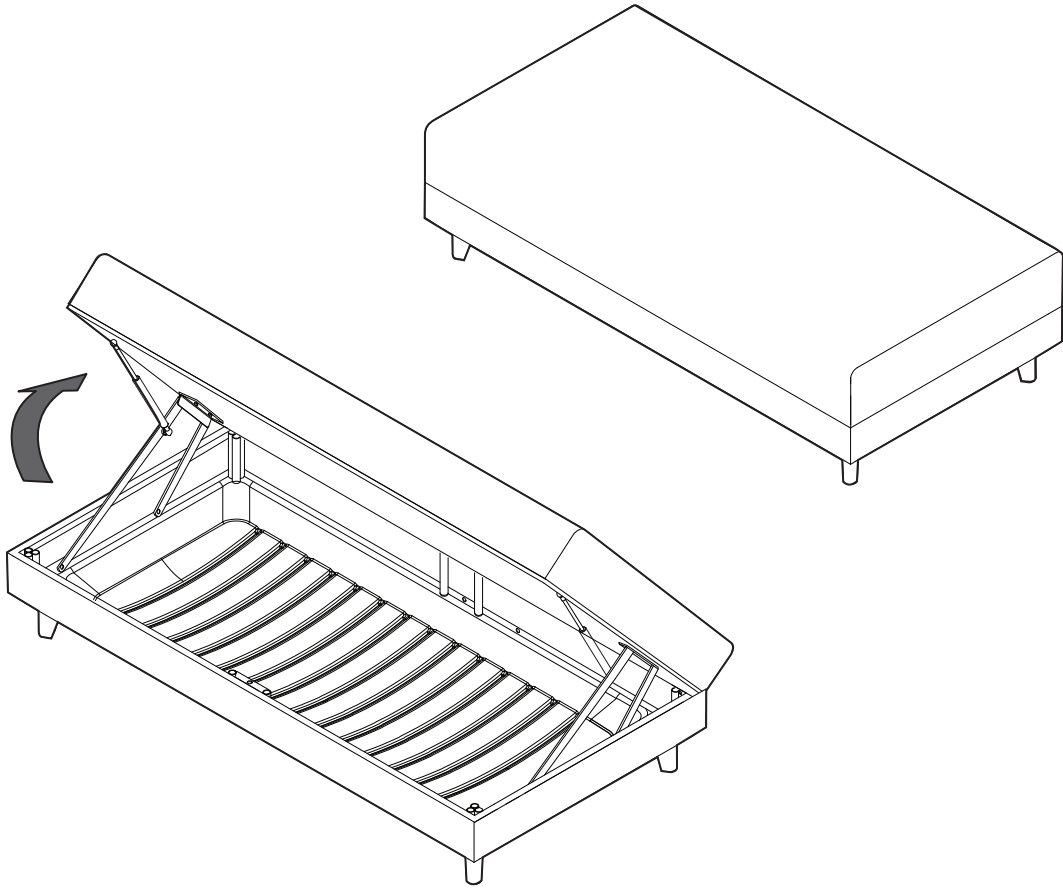
4



X4

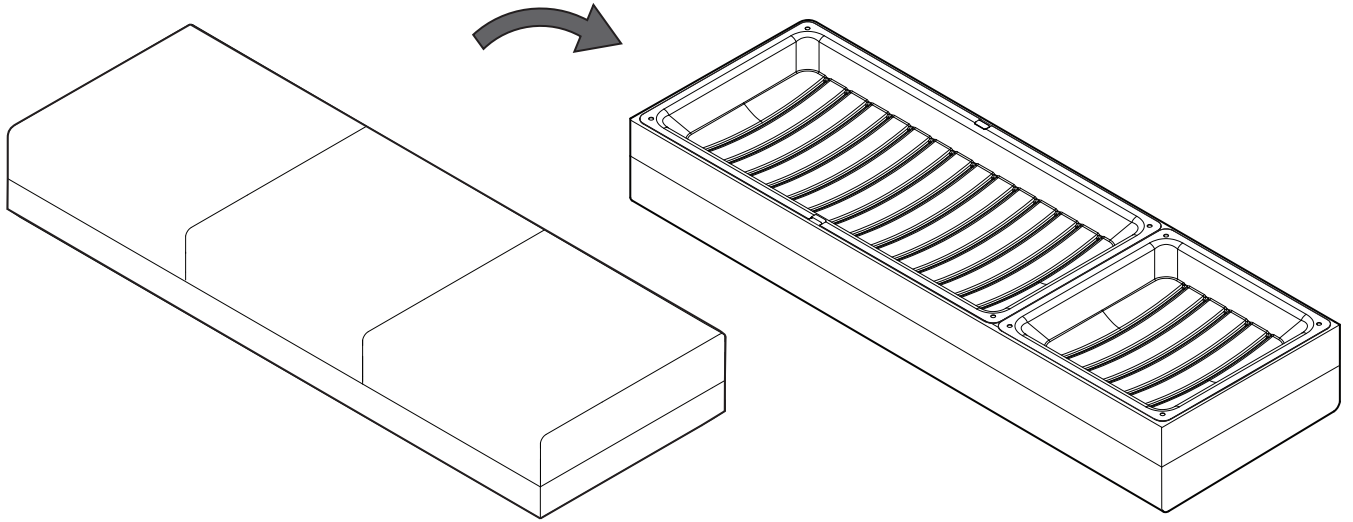


5

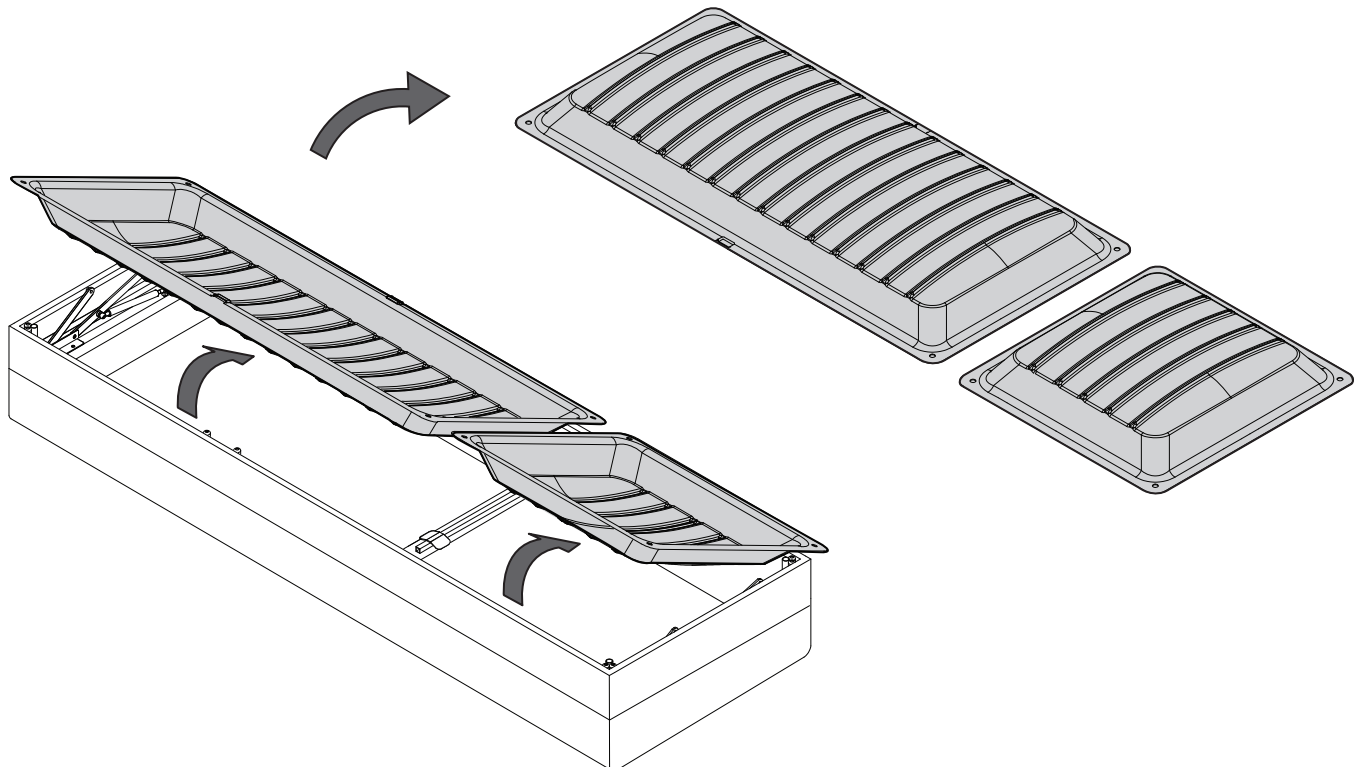


3 Seater Storage Base Assembly

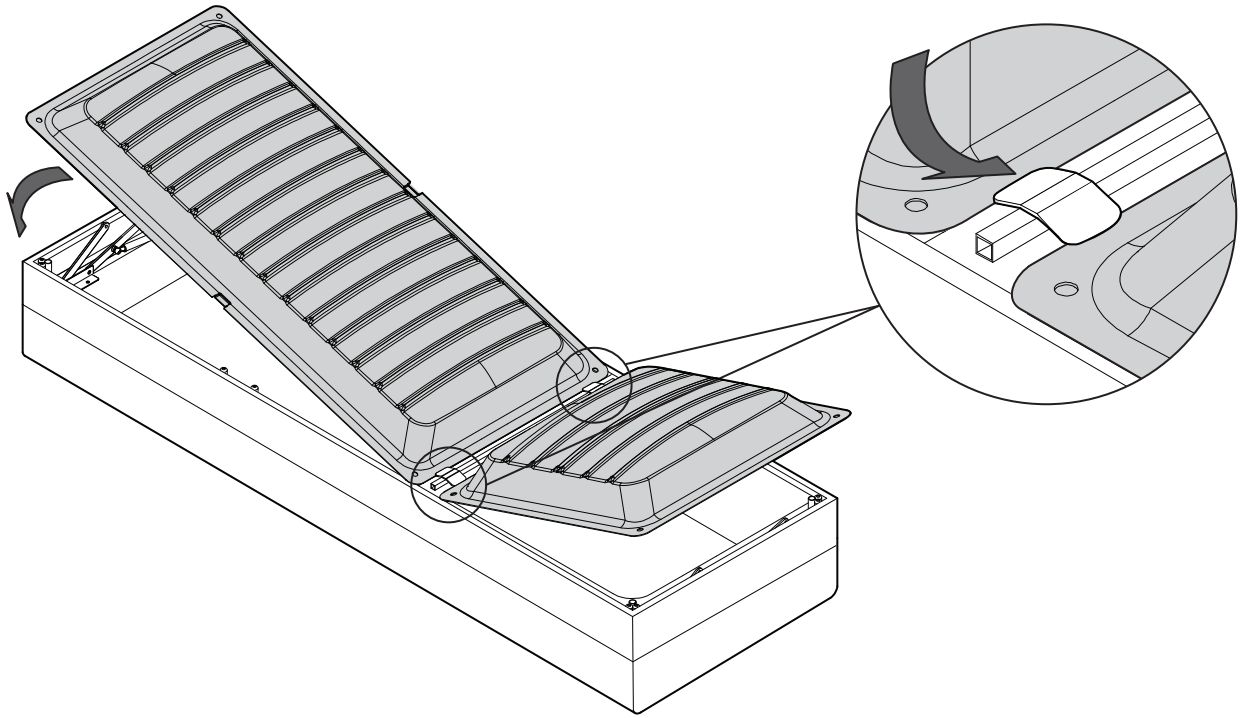
1



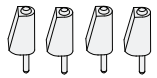
2



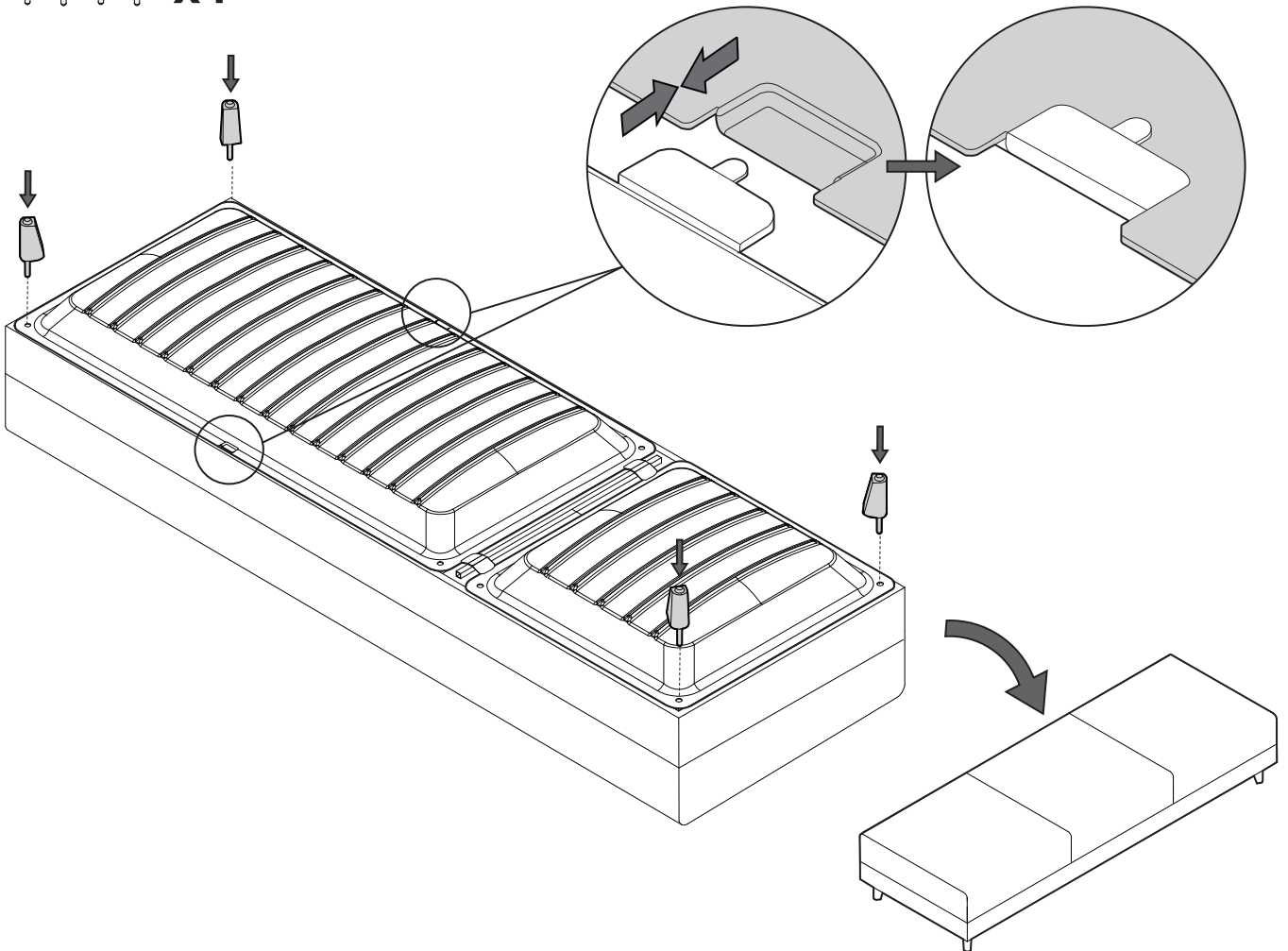
3



4

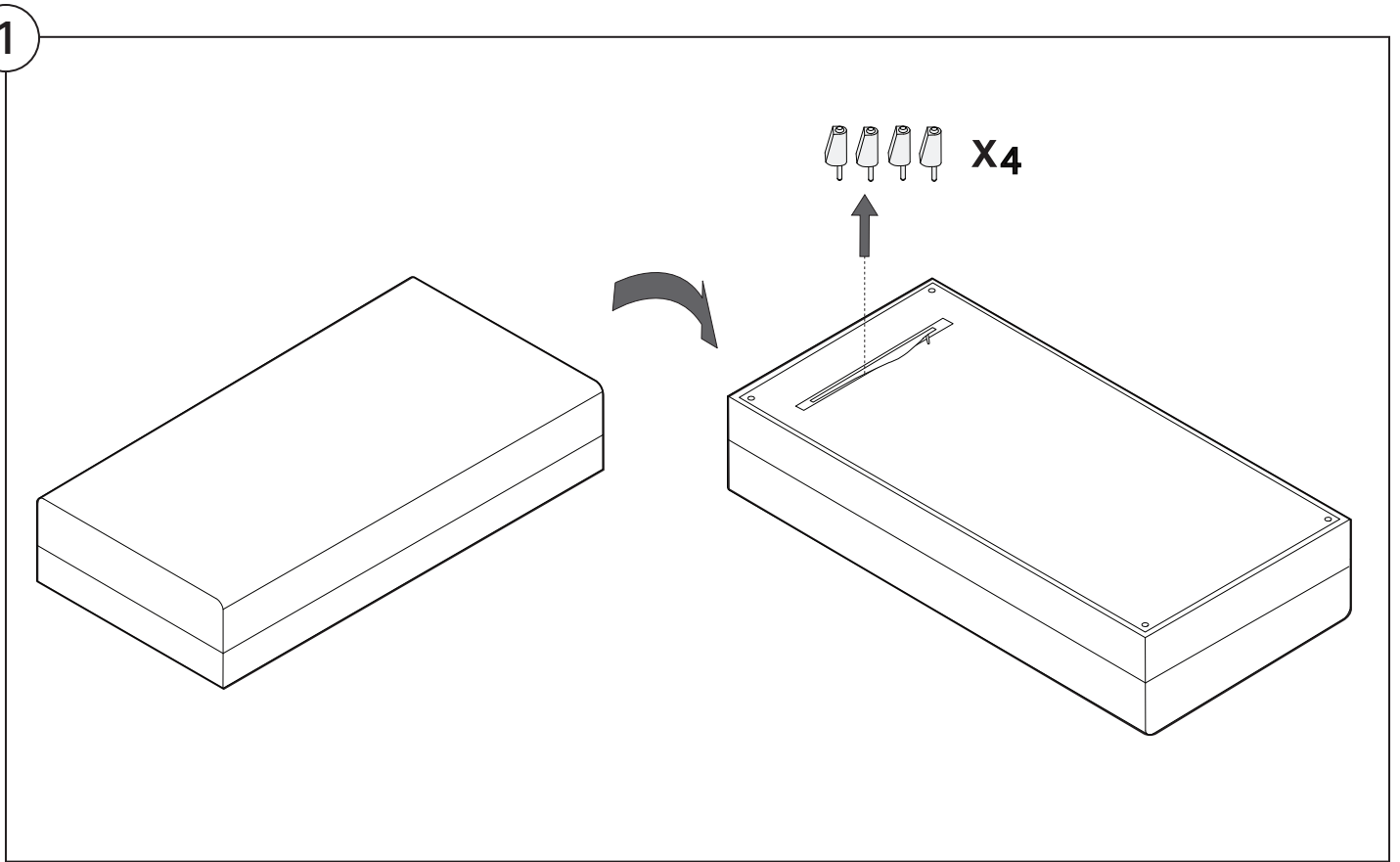


x4

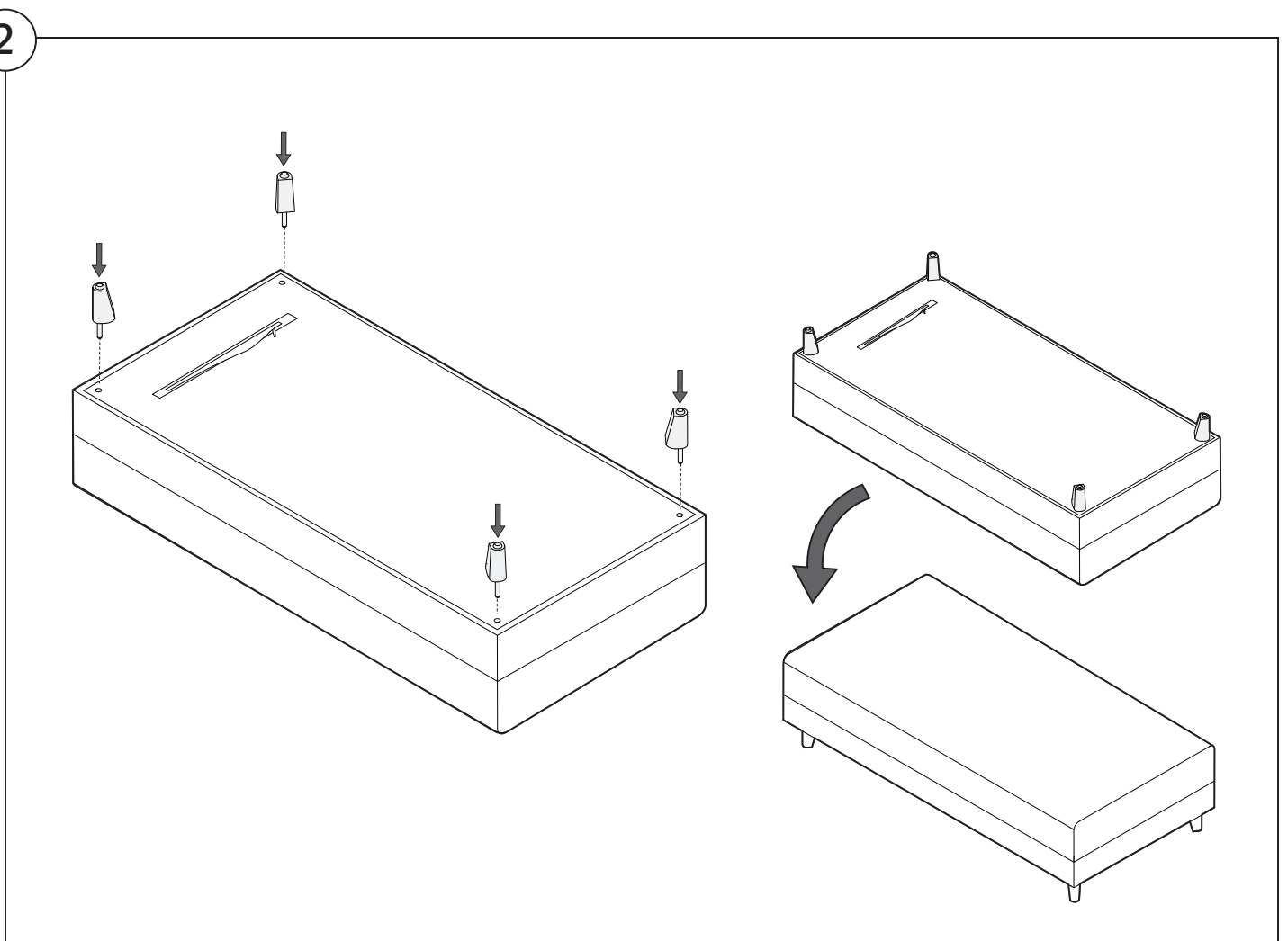


Non Storage Base Assembly

1

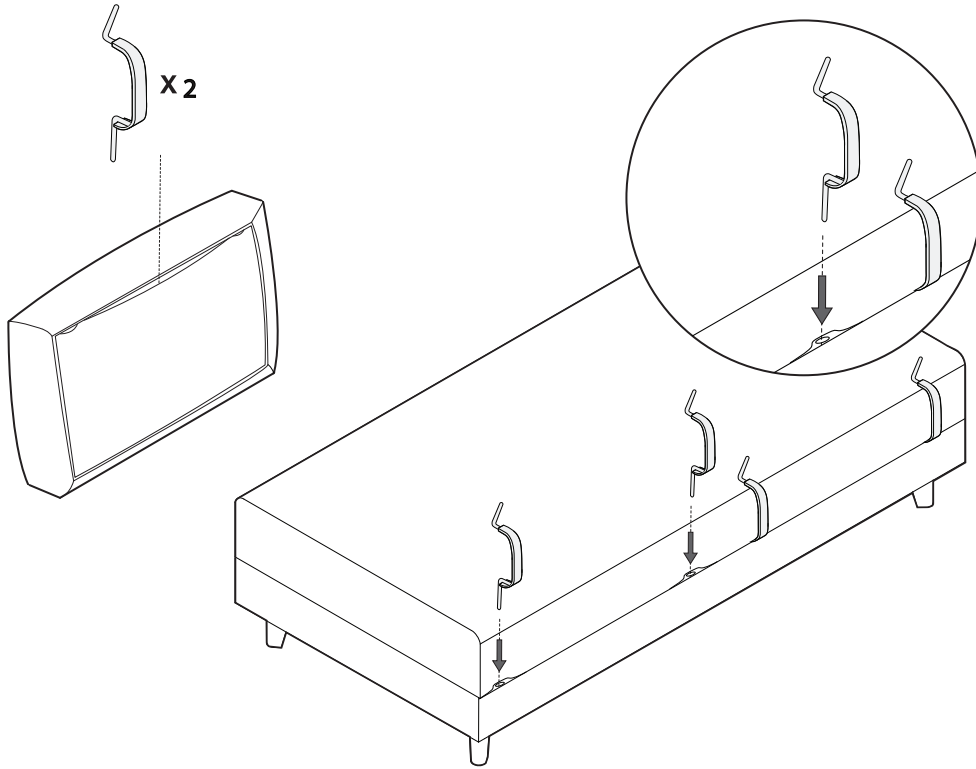


2



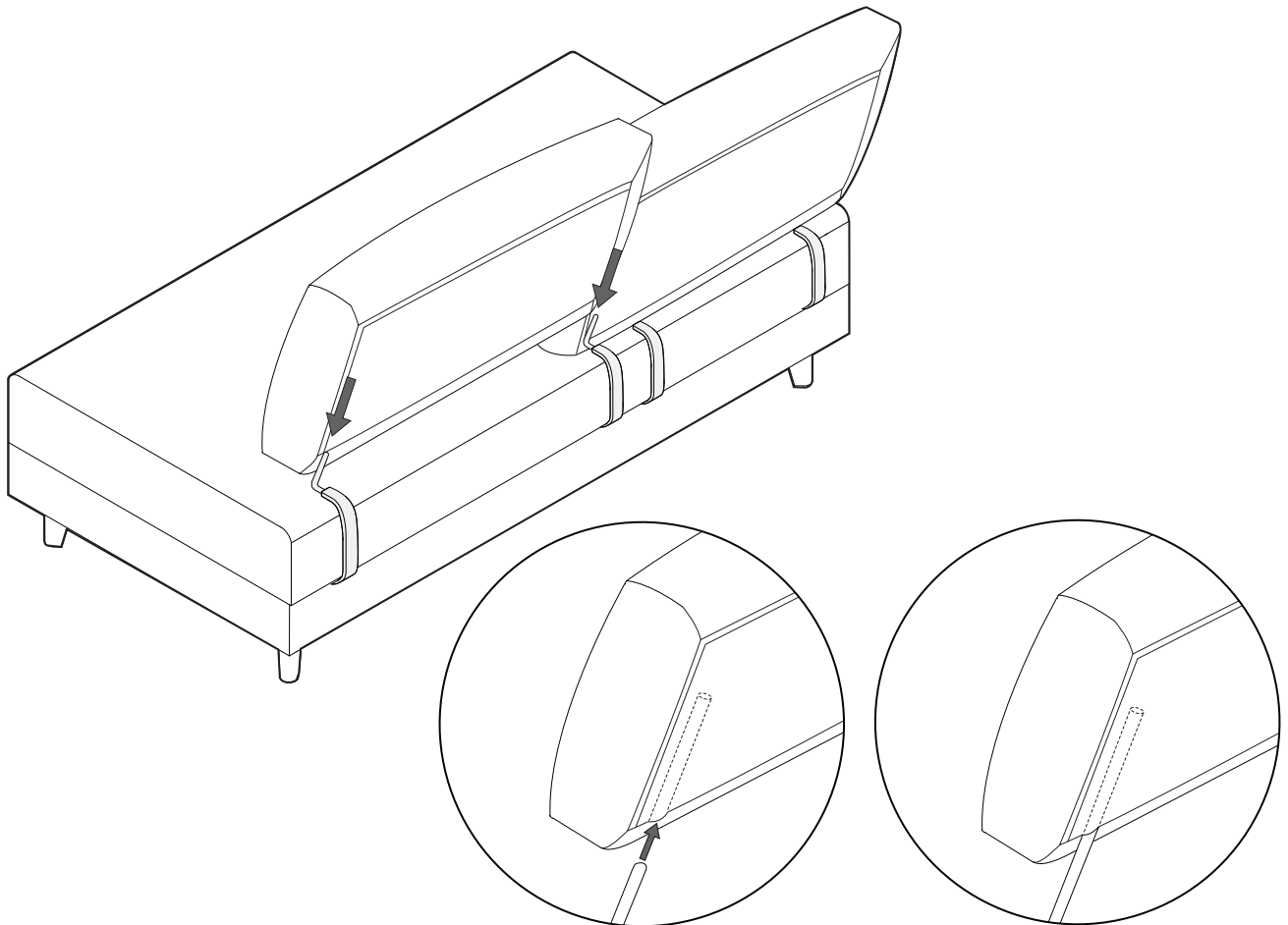
Back Cushion Assembly

1

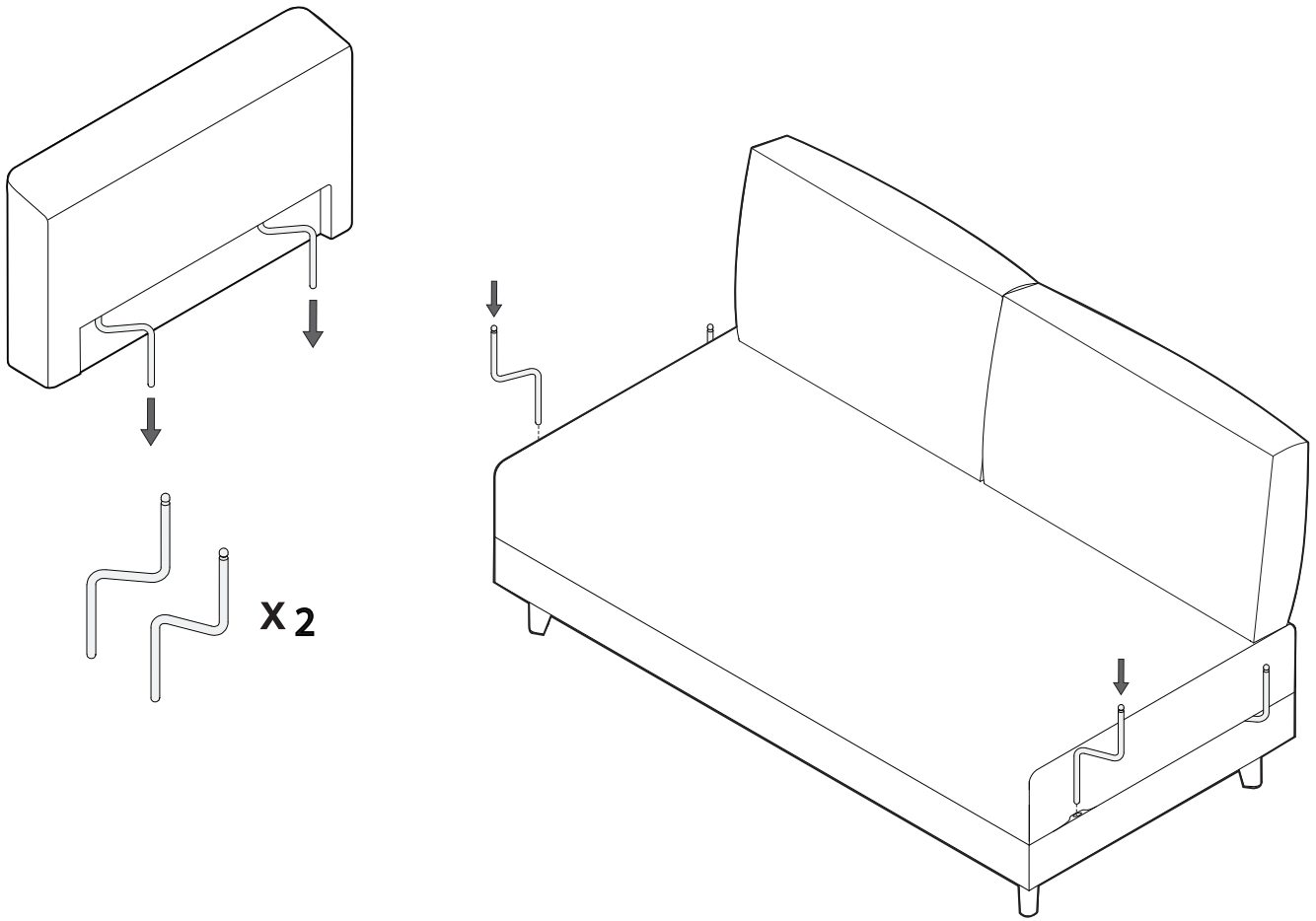


Reverse brackets for deep-seating configuration.

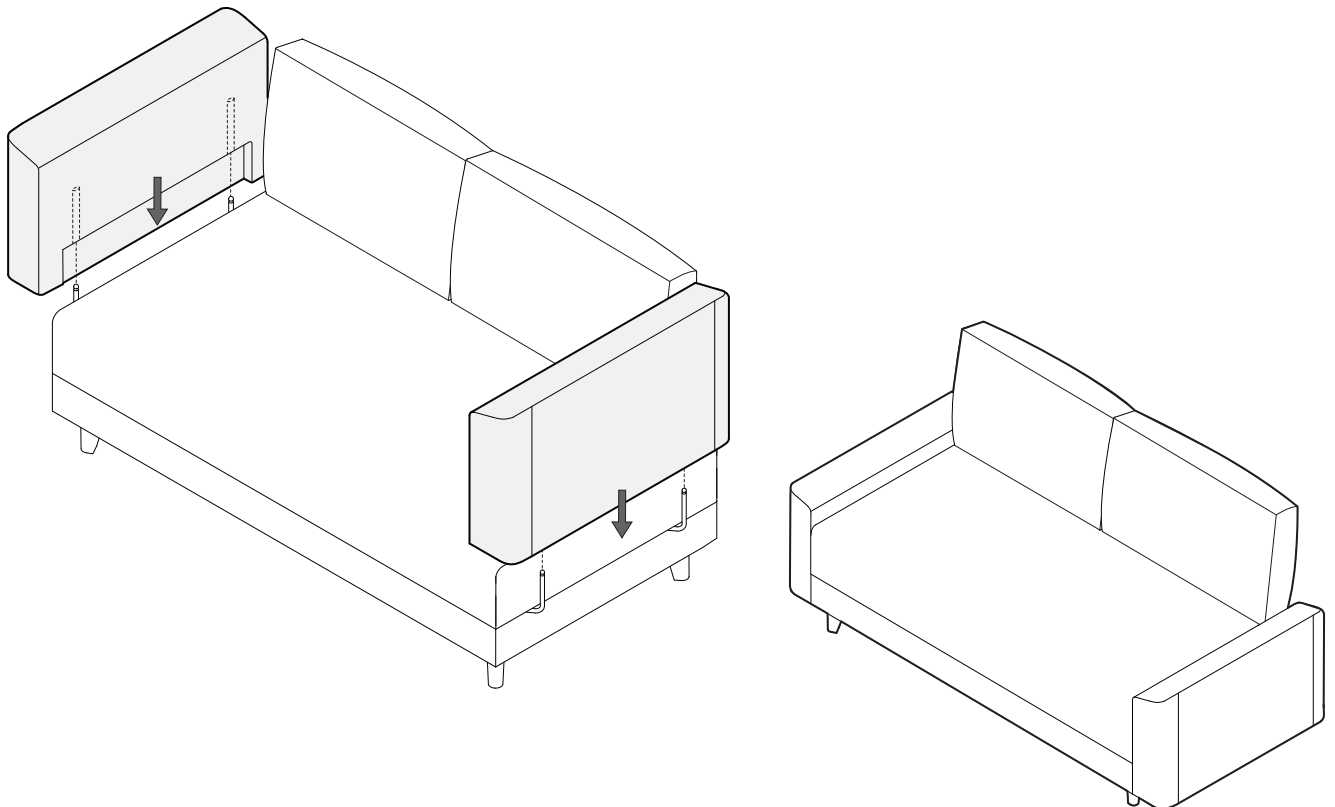
2



3

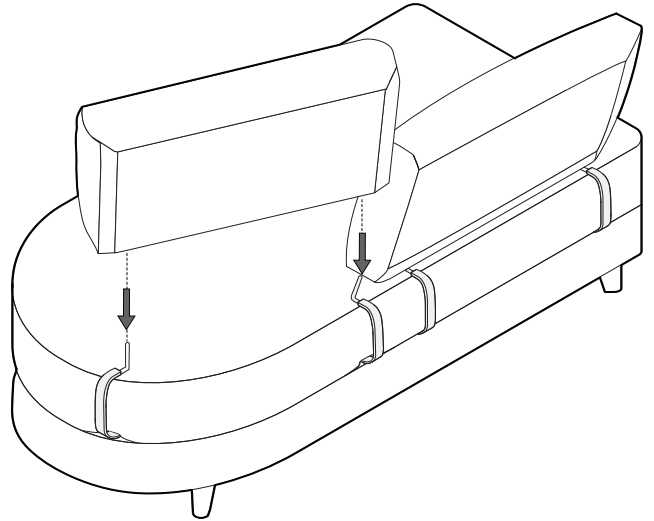
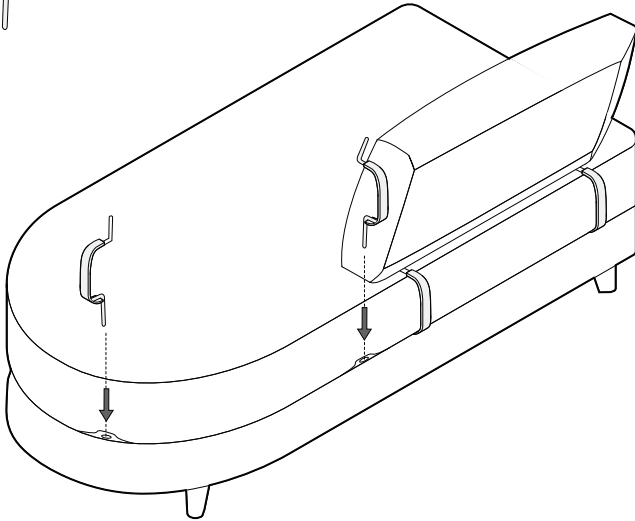
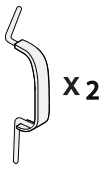


4



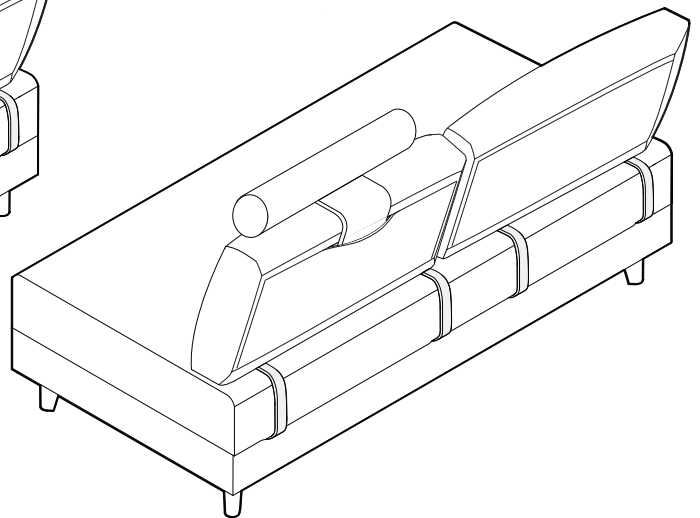
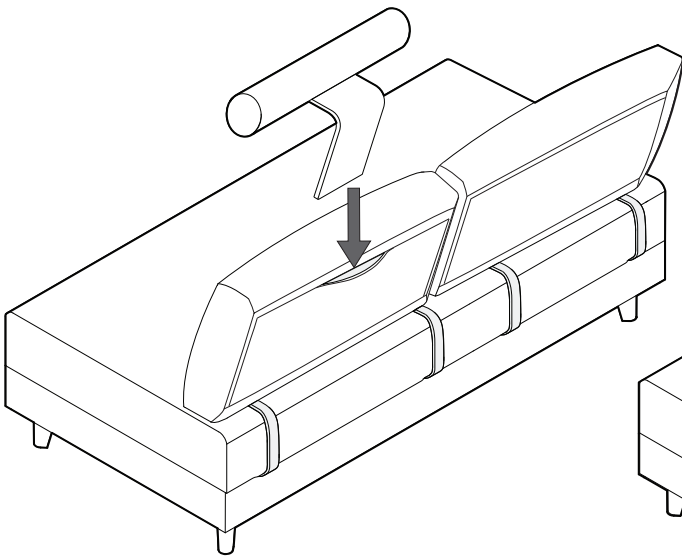
1600 Round Chaise Backrest Assembly

1



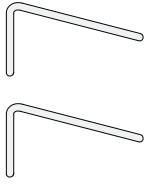
Highback Bolster / Headrest Assembly

1

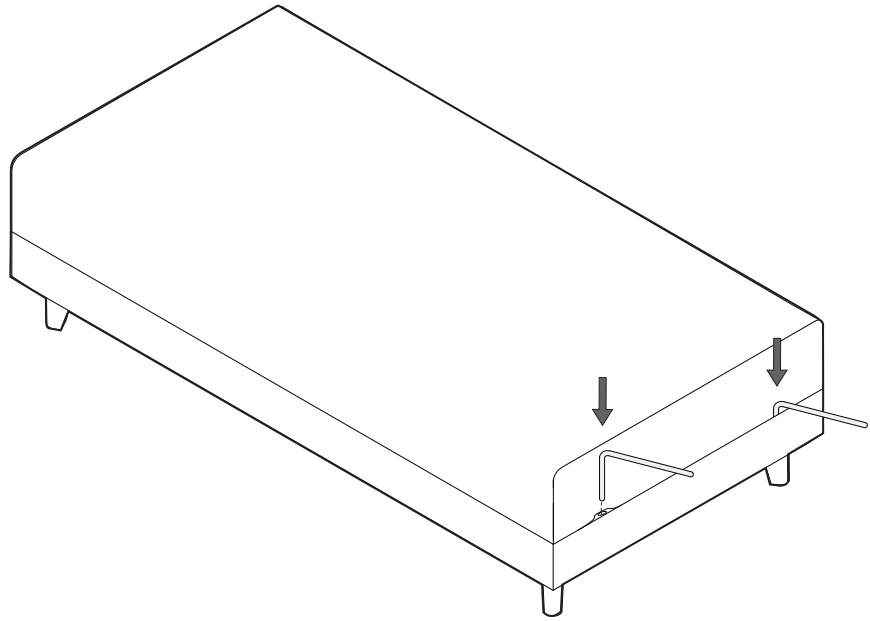


Bed Bracket Assembly

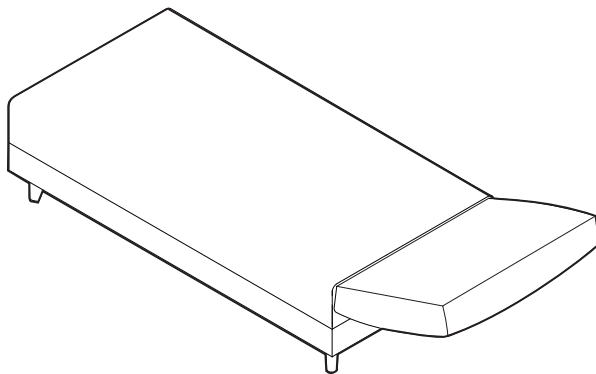
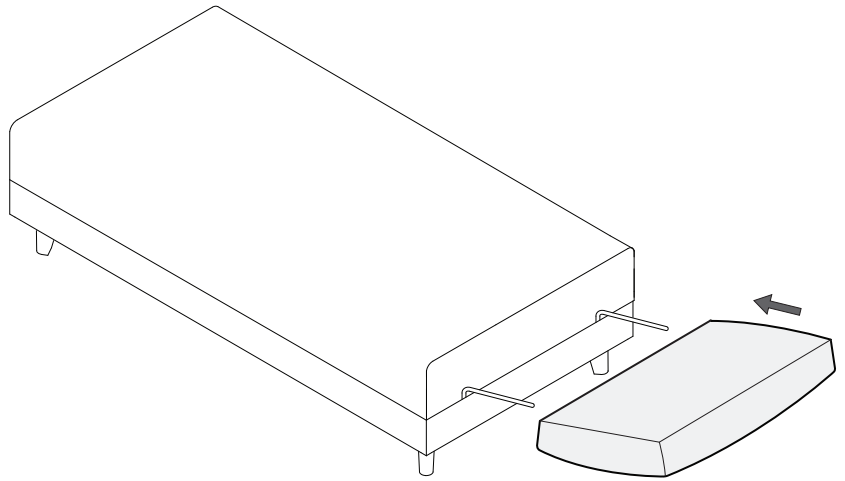
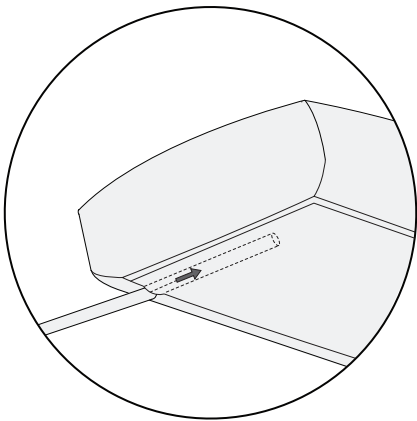
1



X 2

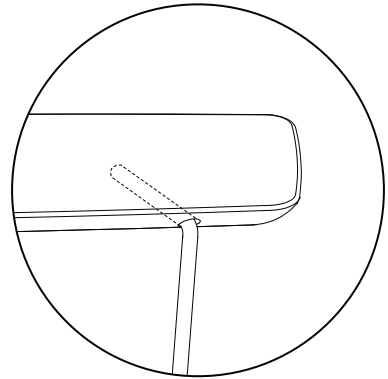
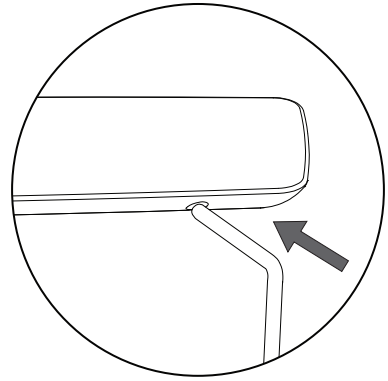
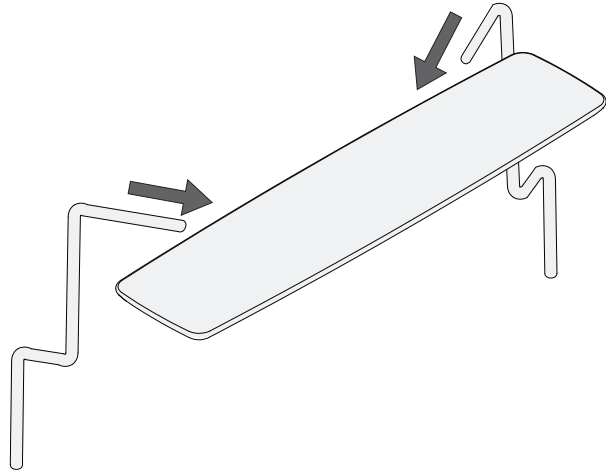
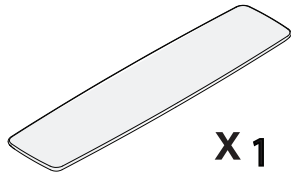
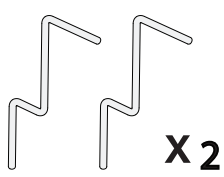


2

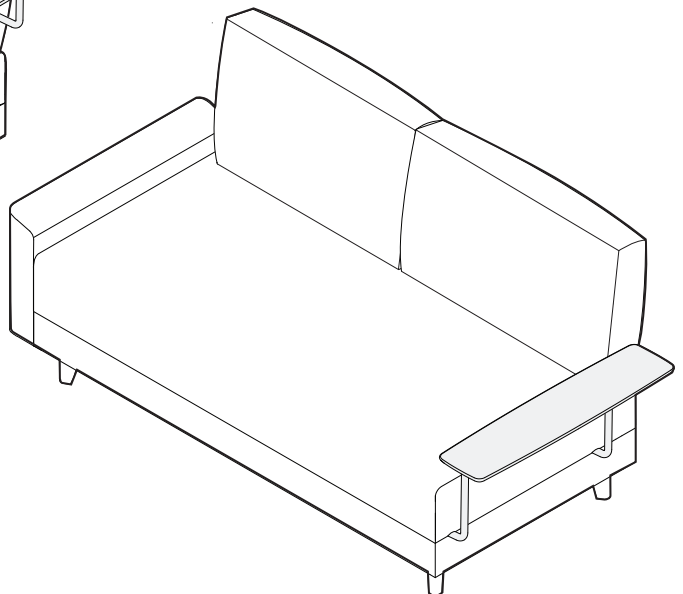
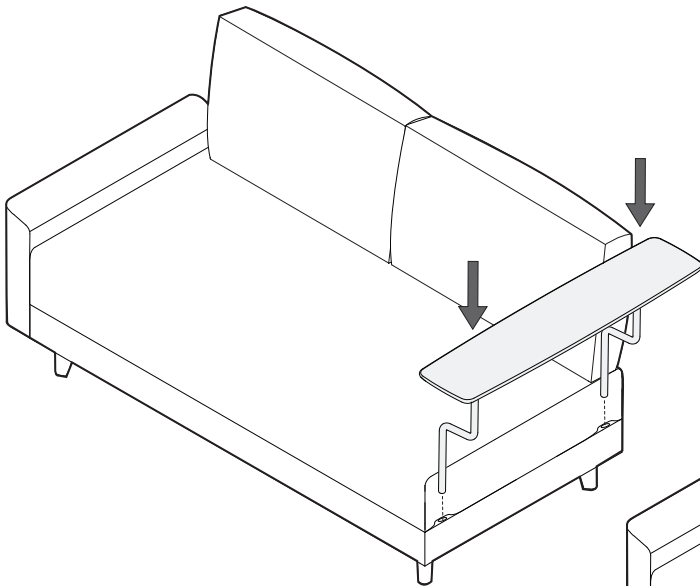


Rectangle Platform Table Assembly

1

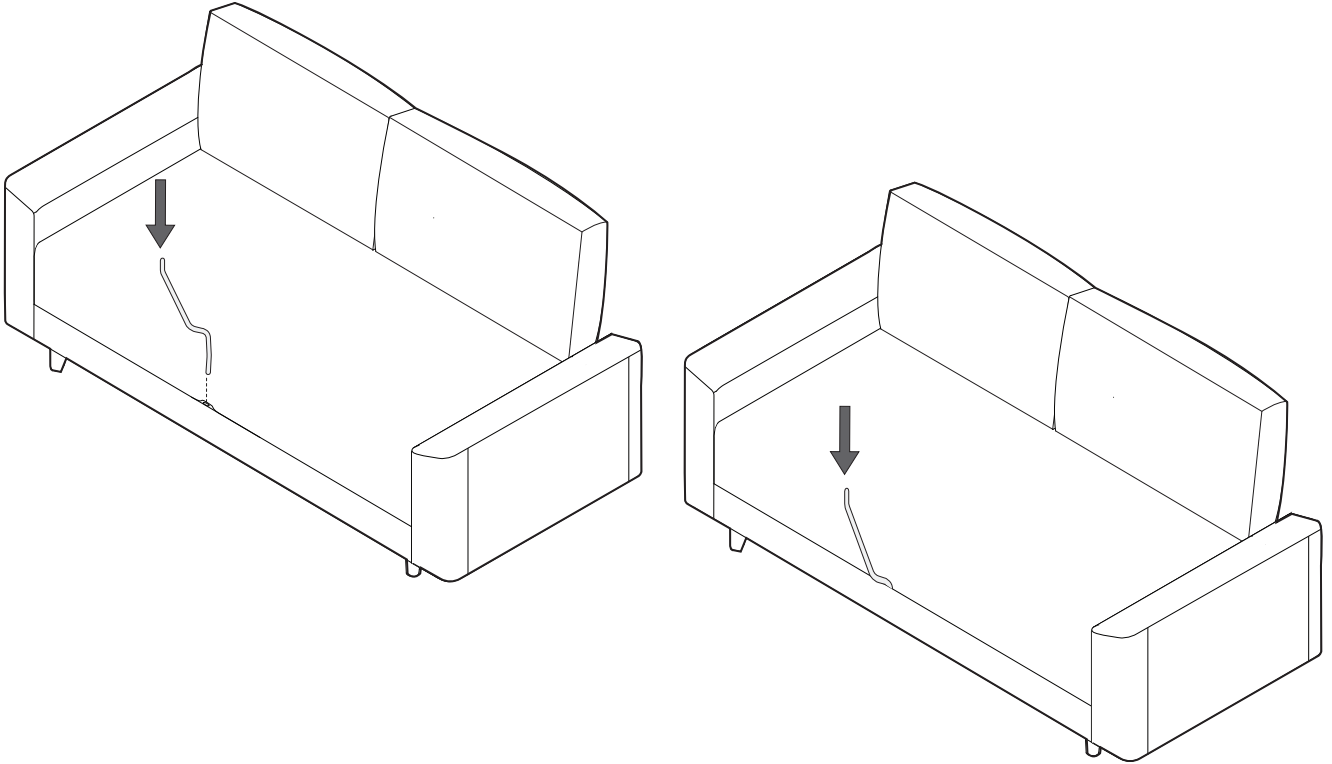


2

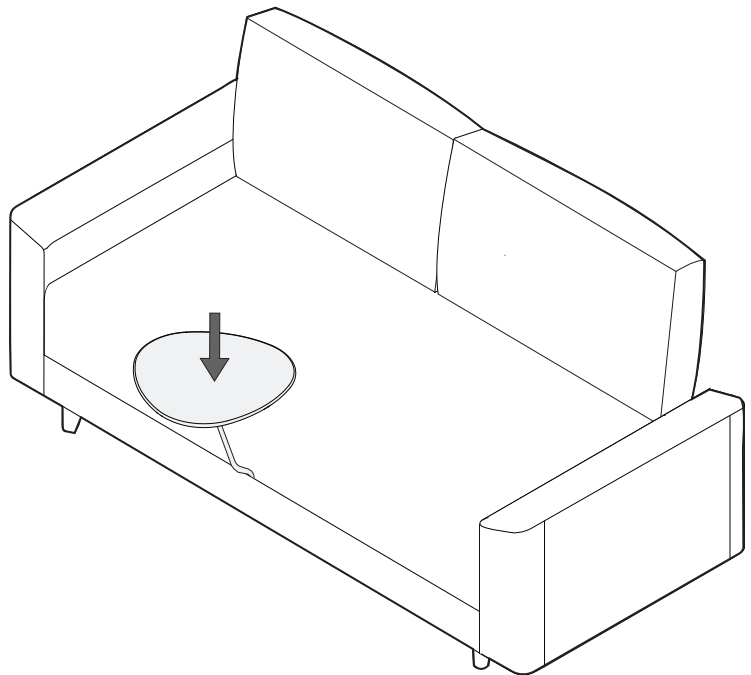
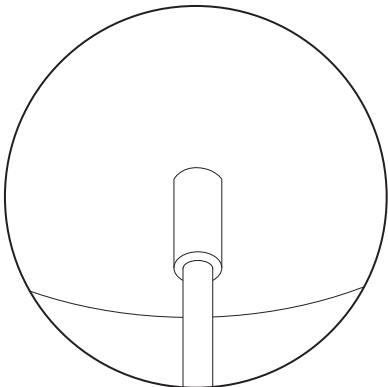
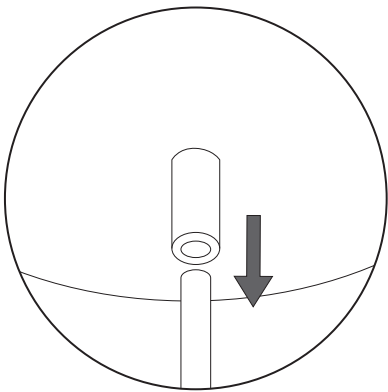


Crescent Platform Table Assembly

1

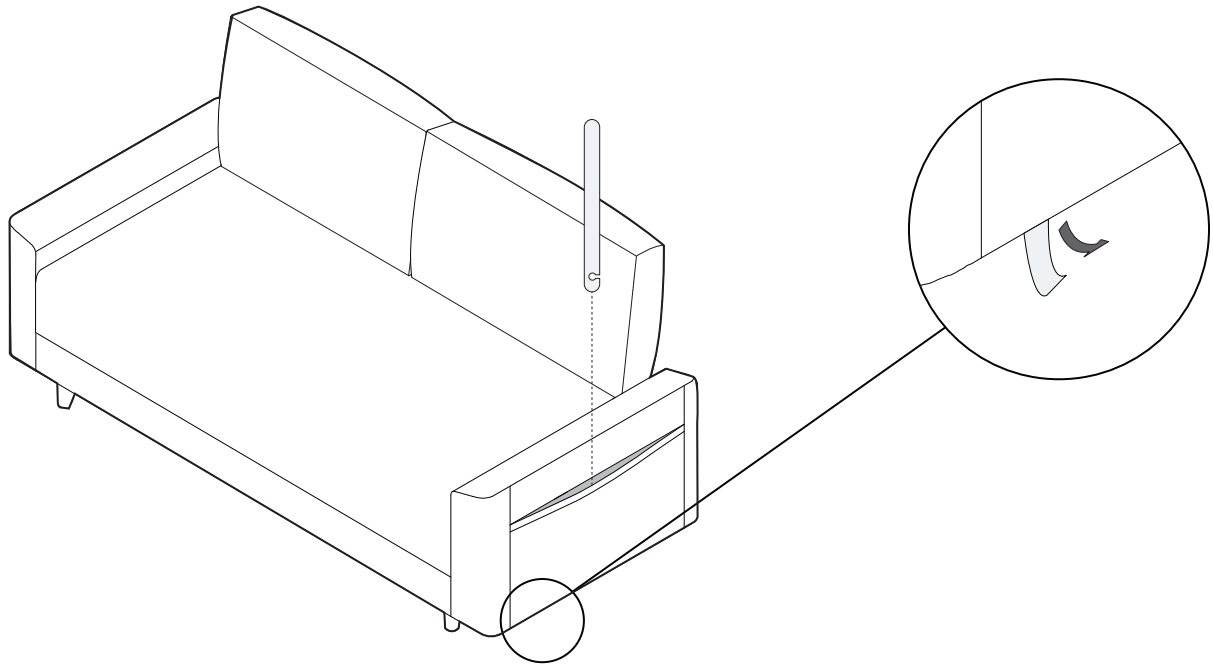


2

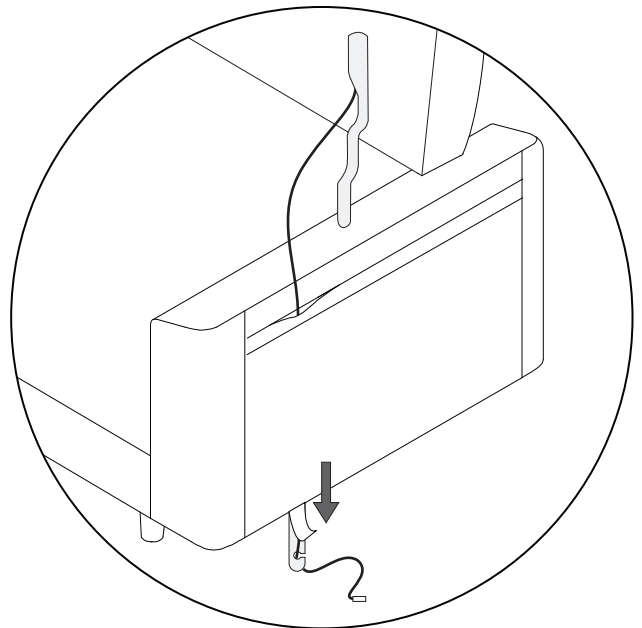
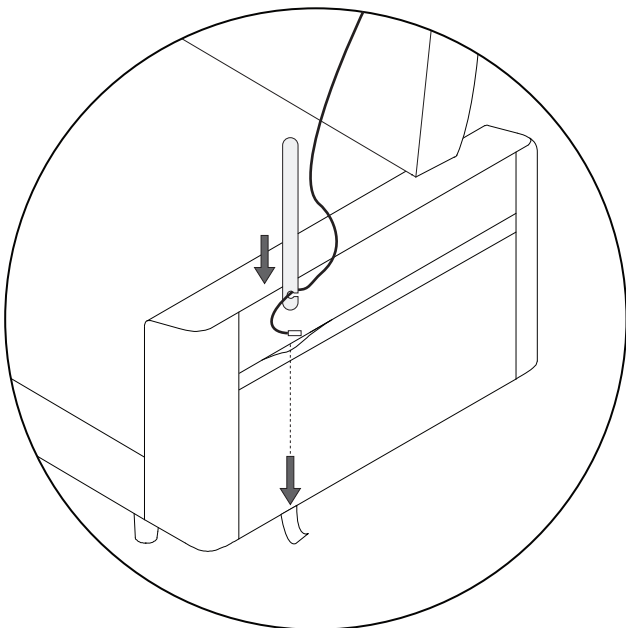
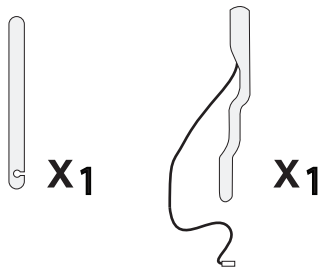


PocketAccessory Charge Table Assembly

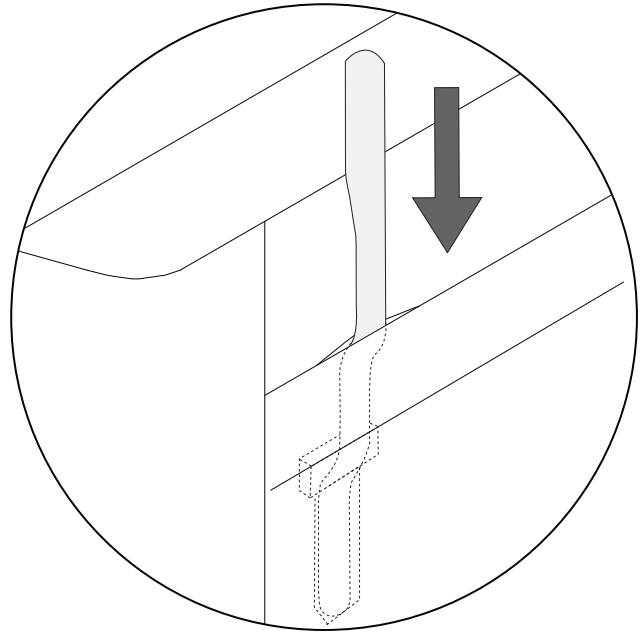
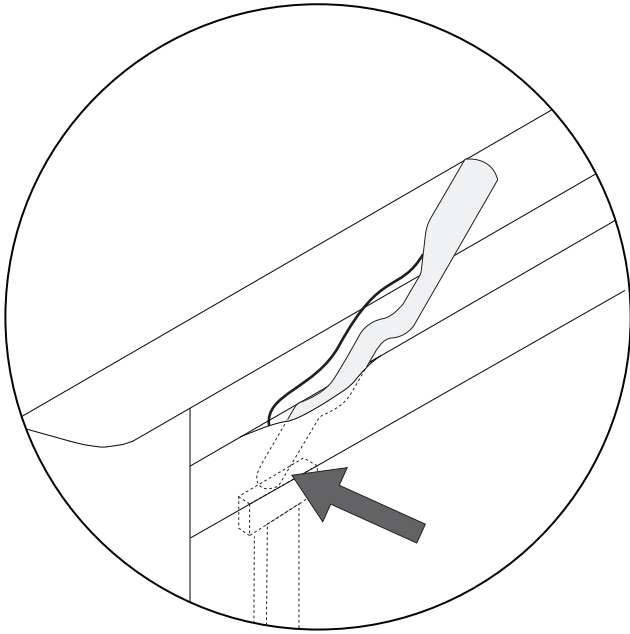
1



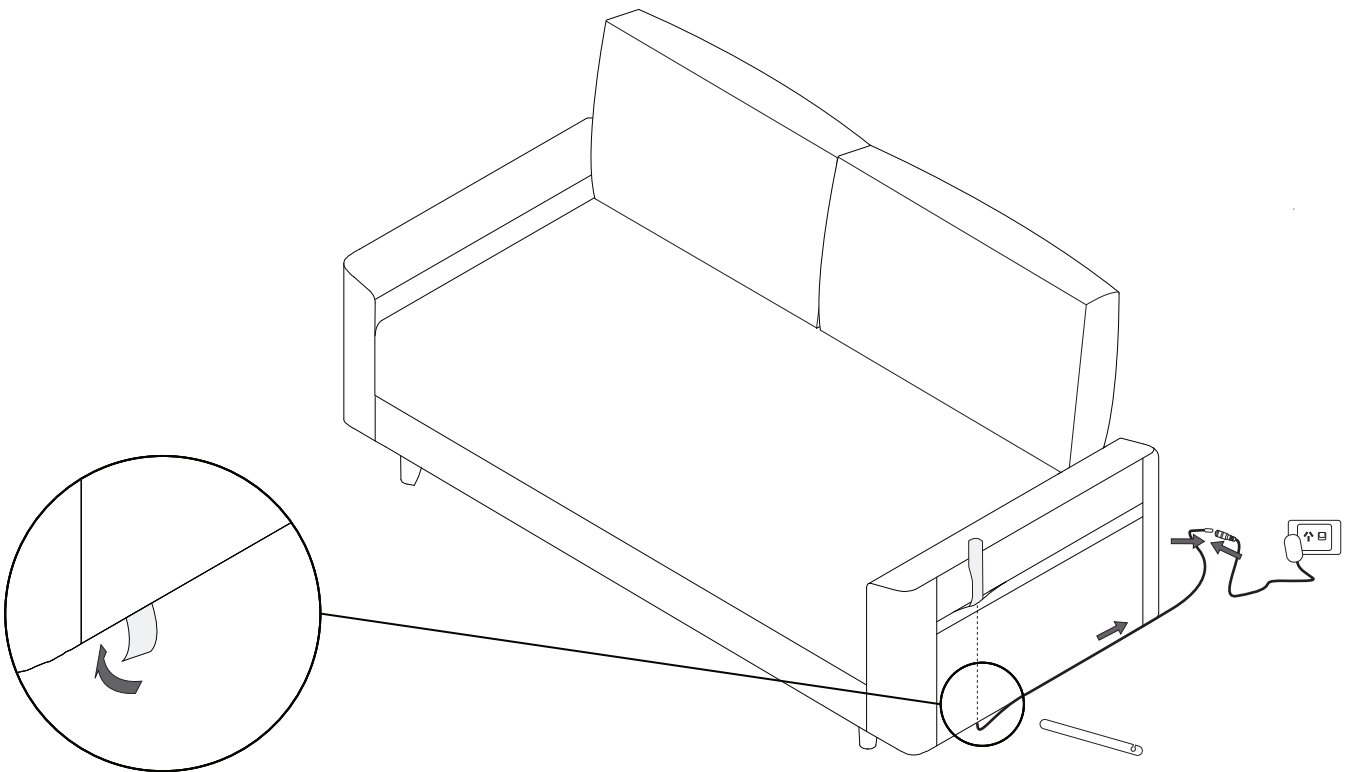
2



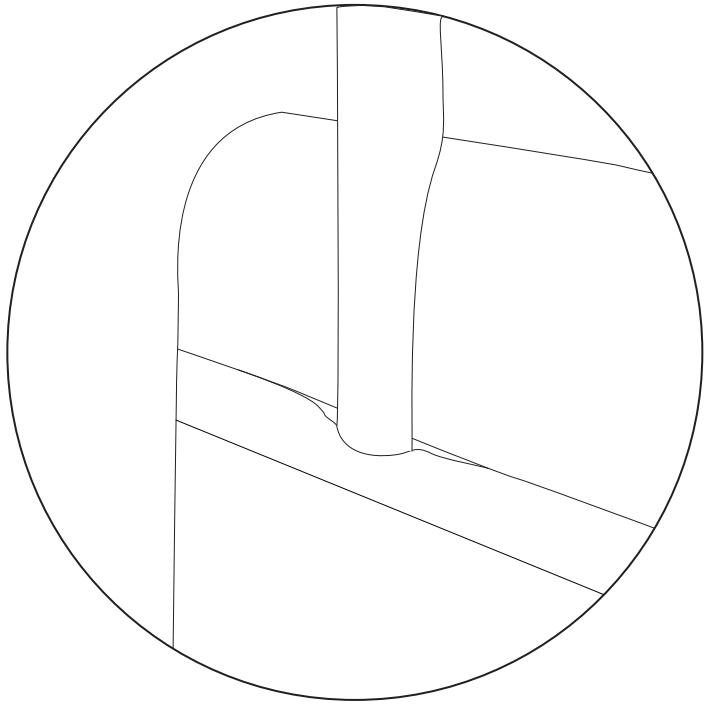
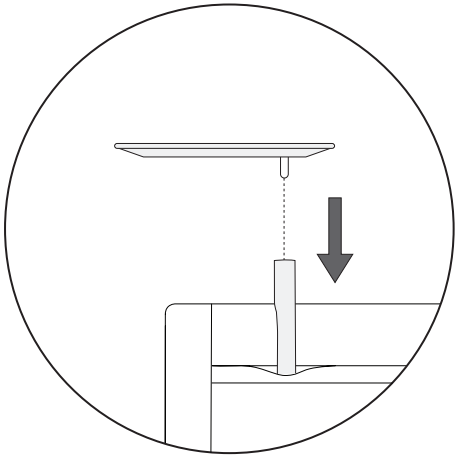
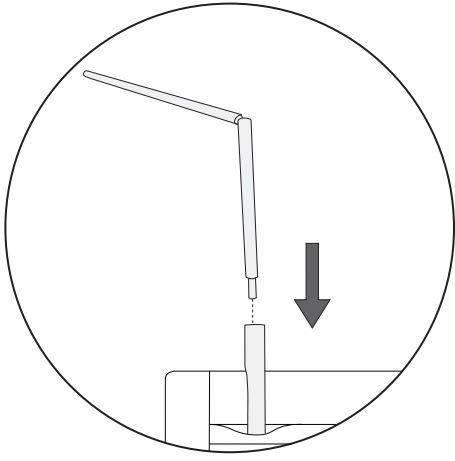
3



4

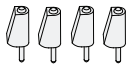


5

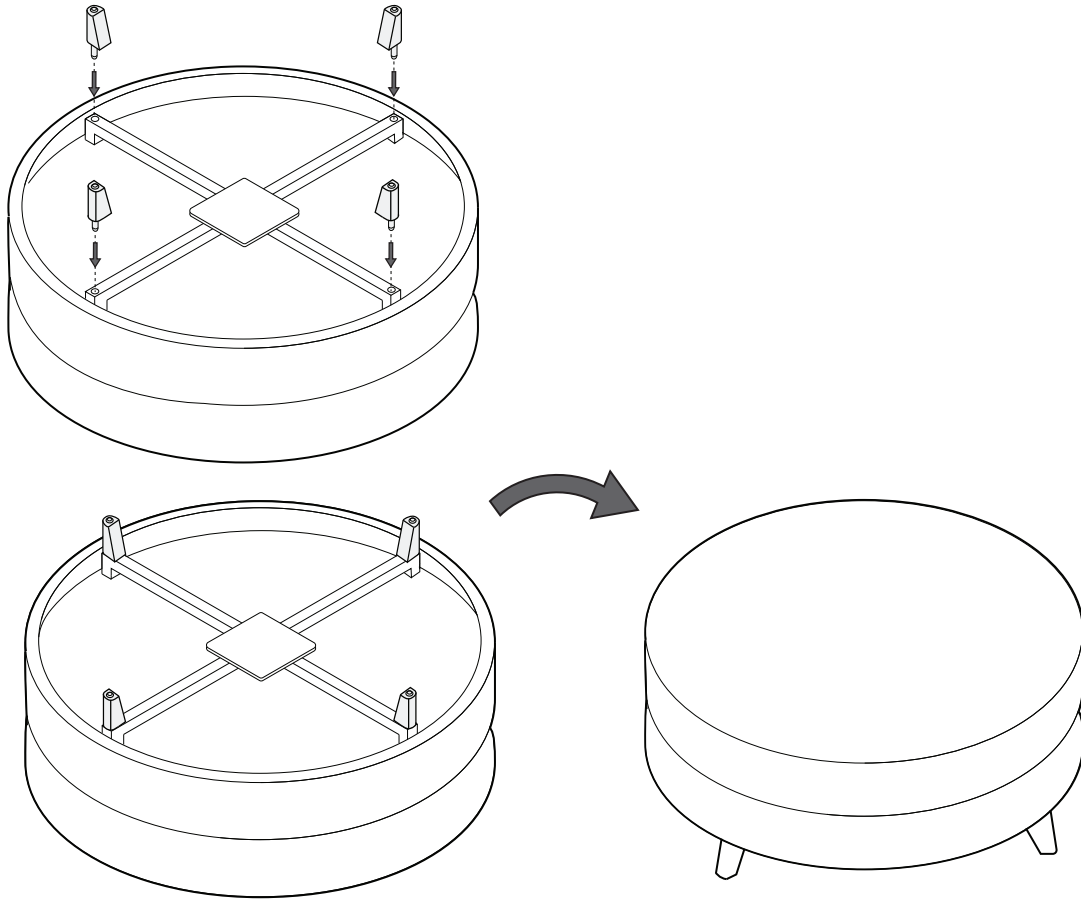


Circle Chair Assembly

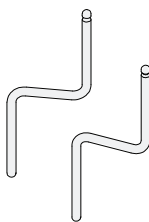
1

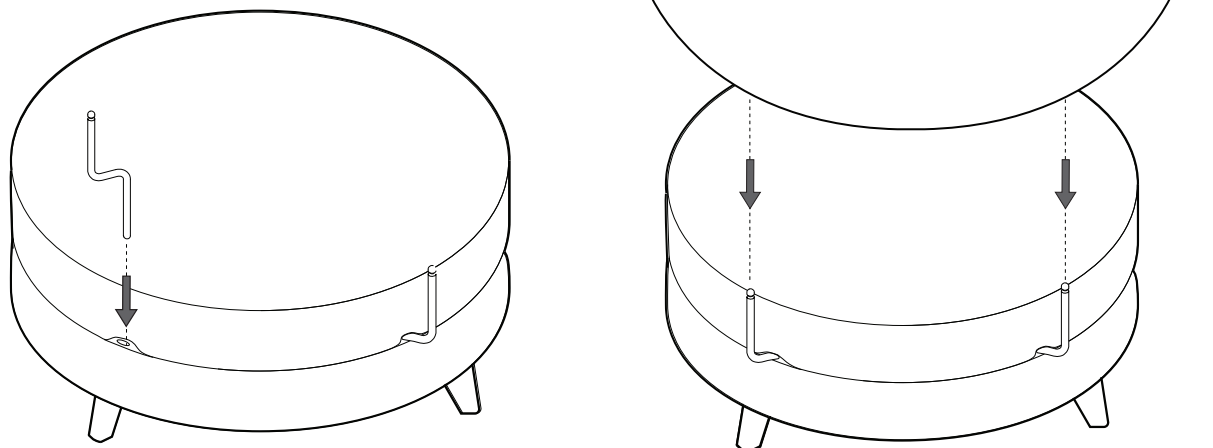
 X4

Shown as swivel chair. Follow the same steps for the non-swivel chair.



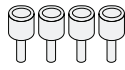
2

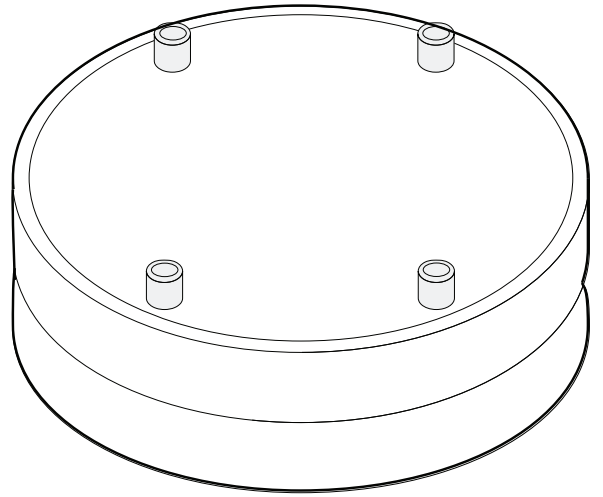
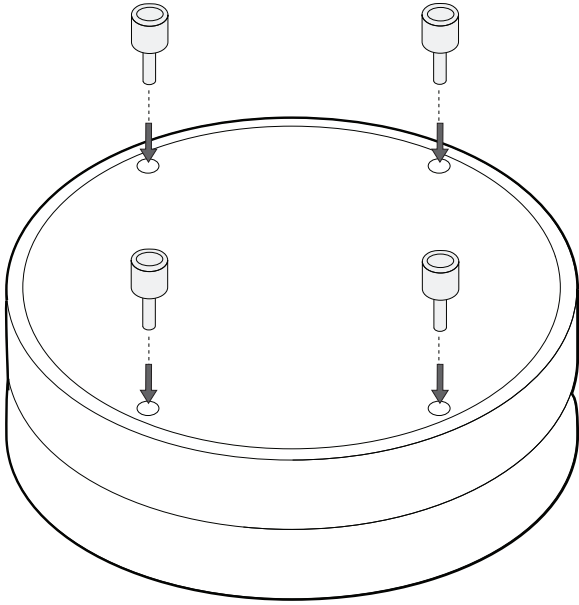
 X2



Ottoman Assembly

1

 X4



2

