

# Bellaire Bed

## Assembly Instructions

**KING**<sup>®</sup>  
L I V I N G

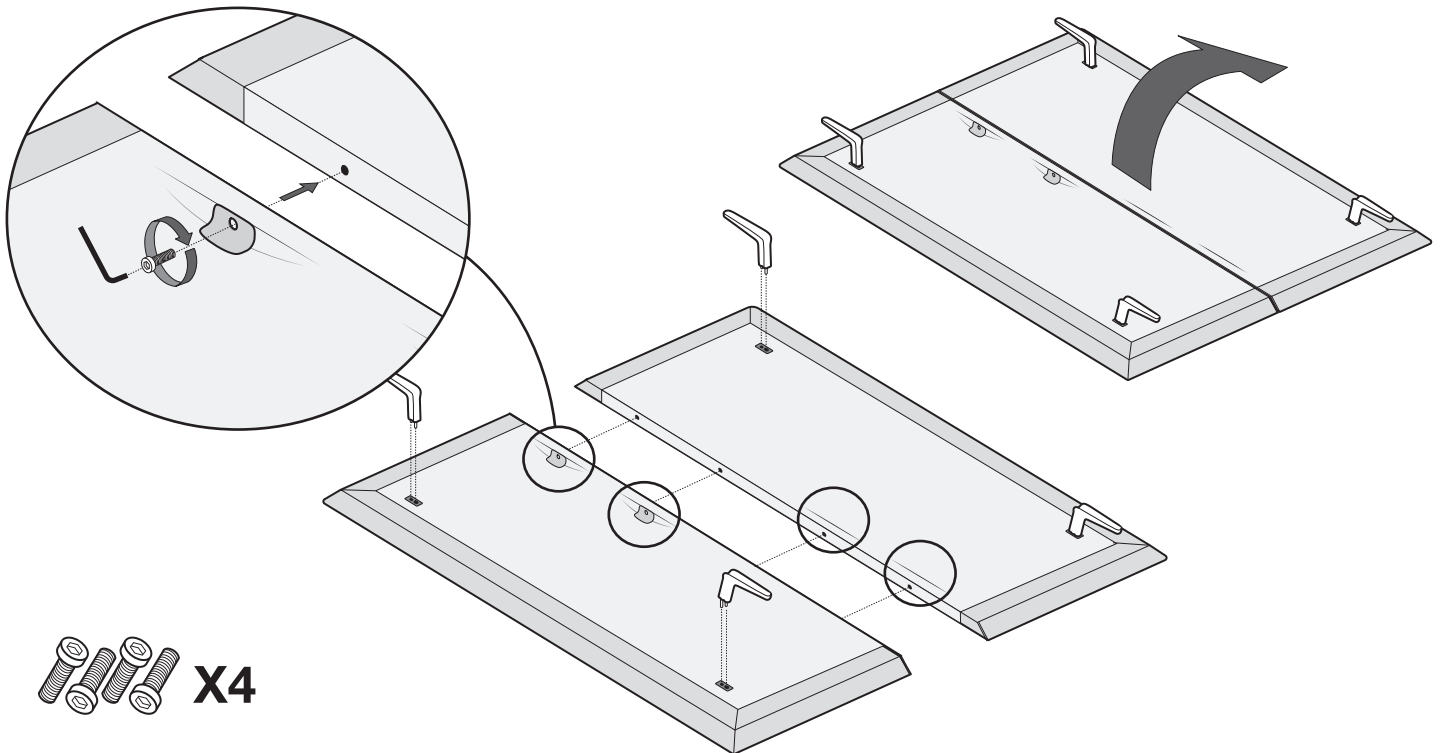
Two people are required for safe assembly.

### Opening Boxes

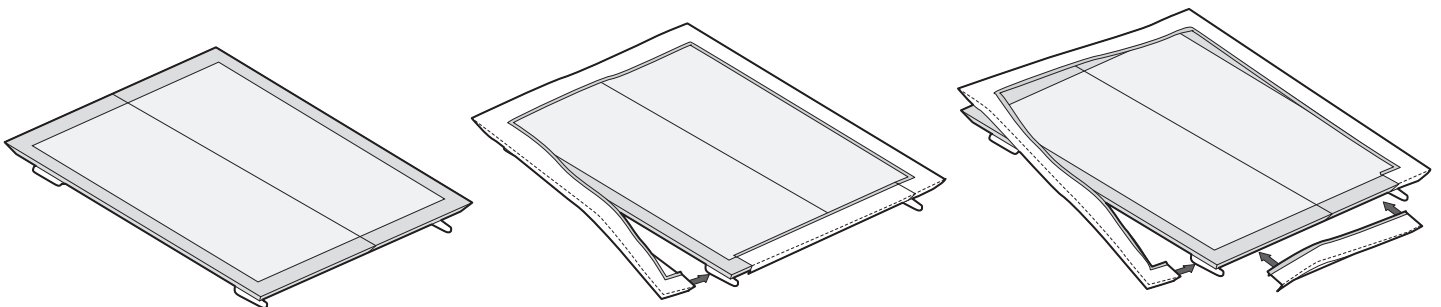
DO NOT use a knife to open the King Living boxes as you may damage your furniture. Peel off the tape, then lift & separate the cardboard flaps to open.

Assemble your furniture by following the steps below.

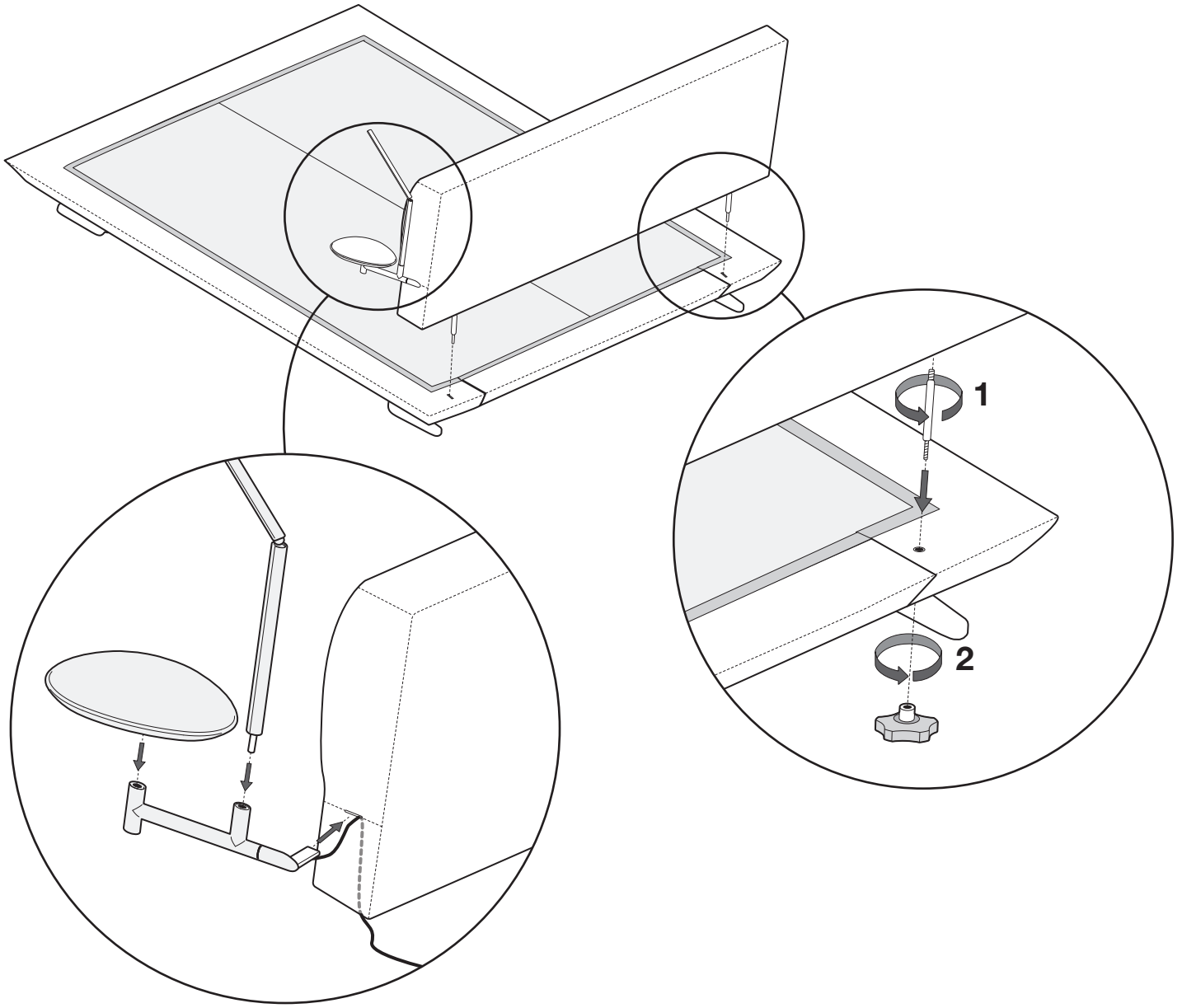
1



2



3



4

